

**H**  
**SERIES**



*Unprecedented Comprehensive Lighting*

**5** YEAR  
WARRANTY

## **Overview**

The ZGSM® H-Series LED Floodlights body are processed with anodized tensile aluminum, not only concise and generous, but also no any corrosion problems. The Luminaires featured with easy mounting and flexible angle adjustment; Built-in driver design; multi-illuminated angle with 60°, 90° and 110°. Wide input voltage from 100-240V/277V AC, suitable for a variety of applications.

The ZGSM® H-Series LED Floodlights are using High Luminous Efficient PHILIPS LUXEON® T Luminous Source and High Reliable MEANWELL® HLG Driver.

The luminaires own up to 95 LPW(lumens per watt) efficiency and over than 100,000 hours operation life.

### **Application**

- Bill Board
- Area lighting
- Architecture Lighting
- Landscape Lighting



**CE** **RoHS** **CB**

[www.zgsm-china.com](http://www.zgsm-china.com)





# *Exquisite Craftsmanship*



CE RoHS CB

[www.zgsm-china.com](http://www.zgsm-china.com)

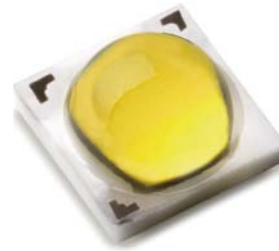
## Product Benefits

### PHILIPS LUMILEDS LED LUMINOUS SOURCE

The ZGSM H-Series LED Floodlights are utilizing PHILIPS LUXEON T luminous source, providing excellent lumen output - up to 95 LPW, long-lasting stability and splendid sight.

Each LUXEON T owns electrostatic protection component, maximally avoid the damage of electrostatic.

More information about the LUXEON T and solid-state lighting technologies can be found at [www.philipslumileds.com](http://www.philipslumileds.com).



### LUXEON T

High-Efficacy, Illumination  
Grade LED light source.

**LUXEON**  
NEVER BEFORE POSSIBLE



### MW MEAN WELL LED DRIVER

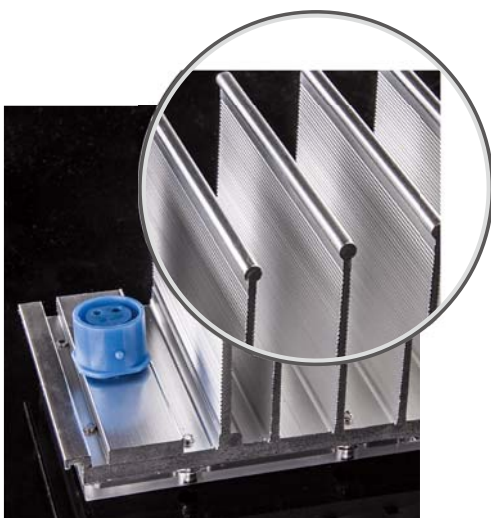
Full Range of ZGSM H-Series LED Floodlights are utilizing MEANWELL HLG series high-end driver, optimal operation stability, lifespan and performance.

More information about the MEANWELL HLG and LED driver technologies, please visit [www.meanwell.com](http://www.meanwell.com)

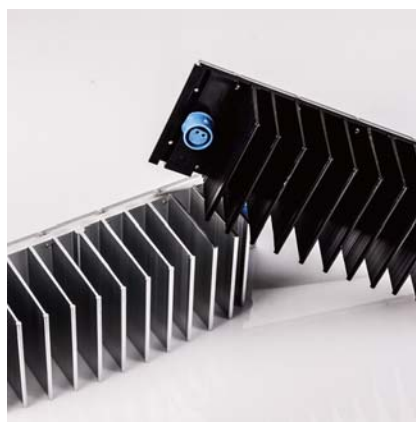


### ZGSM 3<sup>RD</sup> GENERATION LED MODULE

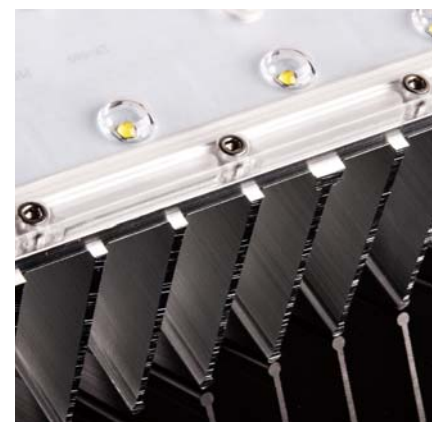
Exquisite design with powerful thermal performance, as well as high reliable waterproof rating.



Cylindrical edge design, avoid  
risk of cuts



Black & Silvery



Overall stainless steel hexagon  
screws adopted

## Product Benefits

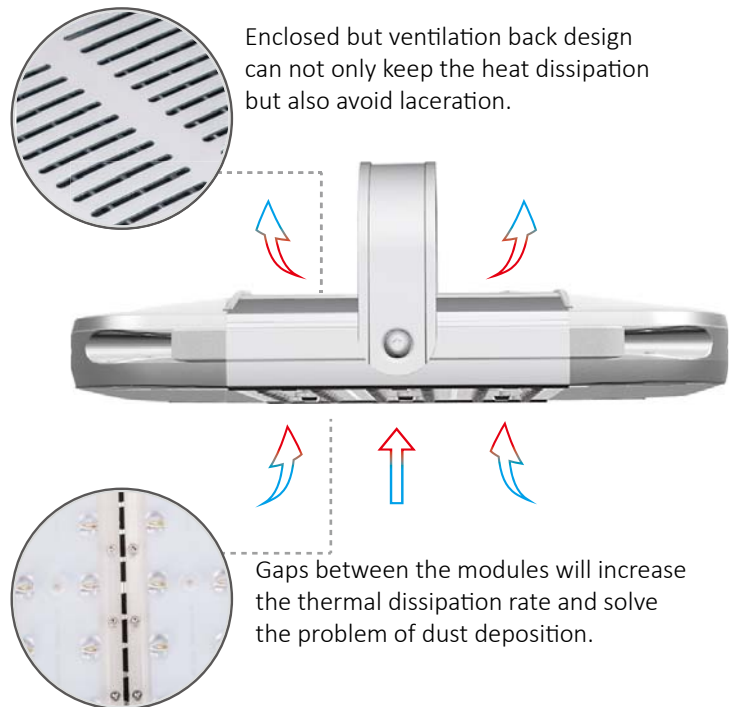
### XTREME LUMINAIRE DESIGN

Equipped with exceptional ZGSM 3<sup>rd</sup> generation LED module, the H-Series LED Floodlights give best luminous output, stability and extra long life. H-Series LED Floodlights are intended to build the most cost-performance luminaires ever.

ZGSM completed the R&D independently, and reserve all related patents for H-Series LED Floodlights.

Easy assemble/disassemble, neat wiring & connection, up to 95 LPW luminous efficiency, IP66 and IK10 Rated, 90%+ driver efficiency, over than 100,000 hours operation life and 5 years warranty.

More information about ZGSM H-Series LED Floodlights and LED lighting technologies at [www.zgsm-china.com](http://www.zgsm-china.com).



Professional lens design with 60°, 90° and 110° optional.



Utilize M16 waterproof connector to fix the input cable, avoid damage of hard power pulling.



Convenient connection, neat, clean and efficiency.



Use waterproof connector to fix the input cables, easy to make maintenance.



Full aluminium enhanced luminaire bracket supports flexible angle adjustment. Designed for a variety of applications



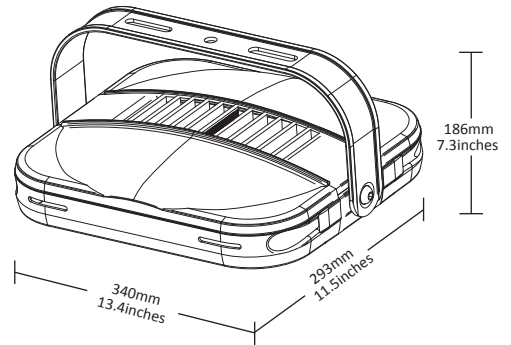
With a non-corrosive material, not only exquisite appearance, but also no corrosion concerns.

DETAILED FEATURES

# ZGSM-FGD40H

Unprecedented Comprehensive Lighting

70W HID Replacement



Dimming functions are supported by optional  
 † Three in One (1-10V DC or PWM Signal or Resistance)  
 † Timer - Contact ZGSM for Details

## Specifications

### Electrical Specifications:

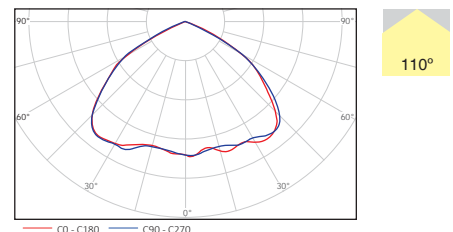
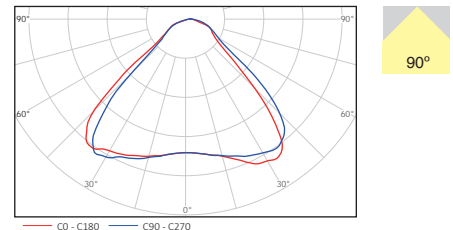
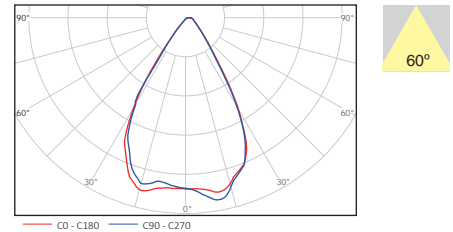
Model No.	ZGSM-FGD40H
Nominal Wattage	40W
Nominal Voltage	AC 100-240V /277V, 50/60Hz
Maximum Current	AC 0.41A -120V, 0.21A -240V, 0.18A -277V
Operating Temperature	-40 °C to +50 °C
Power Factor (PF)	> 0.9
Driver Efficiency	> 90%

### Photometric Specifications:

Lumen Output	3800 lm (+/- 5%)
Photometric Type	60°   90°   110°
CRI	> 70 CRI
CCT	<div style="display: flex; gap: 10px;"> <div style="border: 1px solid black; border-radius: 50%; padding: 2px 5px;">4000K</div> <div style="border: 1px solid black; border-radius: 50%; padding: 2px 5px;">5000K</div> <div style="border: 1px solid black; border-radius: 50%; padding: 2px 5px;">5700K</div> </div>

### Mechanical Specifications:

Ratings	IP66, IK10
Lumen Maintenance	> 60,000 hours -L70(9K), @25 °C (77 °F)
Heat Radiator	Anodized Aluminum
Lens	PC
Fixture Dimension	293 x340 x186 mm 11.5 x13.4 x7.3 inches
Fixture Weight	3.1 kg /6.8 lbs



### Packing Type

1 unit(s) /ctn.

### Packing Dimension

345 x365 x160 mm  
13.6 x14.4 x6.3 inches

### Packing Weight

3.9 kg /8.6 lbs



CE RoHS CB

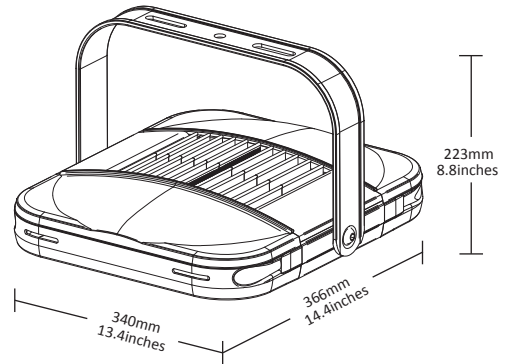
www.zgsm-china.com



# ZGSM-FGD80H

Unprecedented Comprehensive Lighting

150W HID Replacement



Dimming functions are supported by optional  
 † Three in One (1-10V DC or PWM Signal or Resistance)  
 † Timer - Contact ZGSM for Details

## Specifications

### Electrical Specifications:

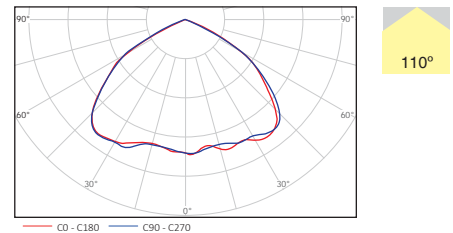
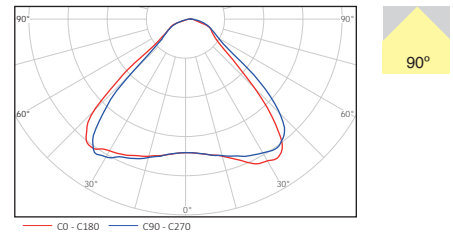
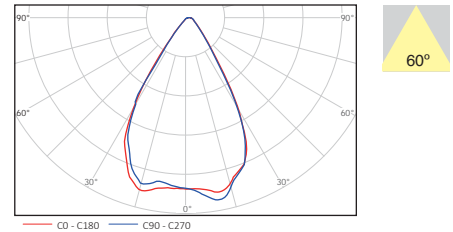
Model No.	ZGSM-FGD80H
Nominal Wattage	80W
Nominal Voltage	AC 100-240V /277V, 50/60Hz
Maximum Current	AC 0.82A -120V, 0.41A -240V, 0.36A -277V
Operating Temperature	-40 °C to +50 °C
Power Factor (PF)	> 0.9
Driver Efficiency	> 90%

### Photometric Specifications:

Lumen Output	7600 lm (+/- 5%)
Photometric Type	60°   90°   110°
CRI	> 70 CRI
CCT	<div style="display: flex; gap: 10px;"> <div style="border: 1px solid black; border-radius: 50%; padding: 2px 5px;">4000K</div> <div style="border: 1px solid black; border-radius: 50%; padding: 2px 5px;">5000K</div> <div style="border: 1px solid black; border-radius: 50%; padding: 2px 5px;">5700K</div> </div>

### Mechanical Specifications:

Ratings	IP66, IK10
Lumen Maintenance	> 60,000 hours -L70(9K), @25 °C (77 °F)
Heat Radiator	Anodized Aluminum
Lens	PC
Fixture Dimension	366 x340 x223 mm 14.4 x13.4 x8.8 inches
Fixture Weight	4.4 kg /9.7 lbs



### Packing Type

1 unit(s) /ctn.

### Packing Dimension

415 x365 x160 mm  
16.3 x14.4 x6.3 inches

### Packing Weight

5.1 kg /11.2 lbs



CE RoHS CB

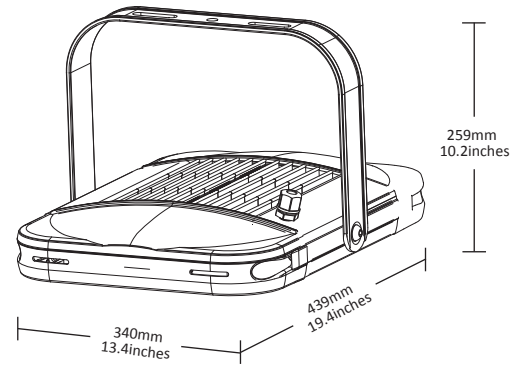
www.zgsm-china.com



# ZGSM-FGD120H

Unprecedented Comprehensive Lighting

250W HID Replacement



Dimming functions are supported by optional  
 † Three in One (1-10V DC or PWM Signal or Resistance)  
 † Timer - Contact ZGSM for Details

## Specifications

### Electrical Specifications:

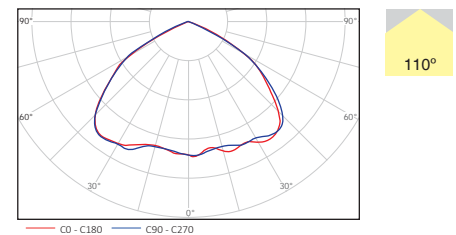
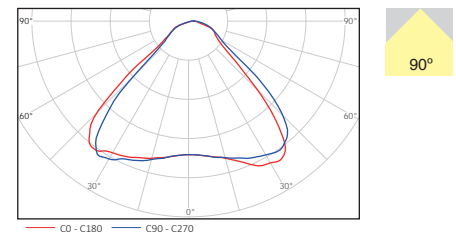
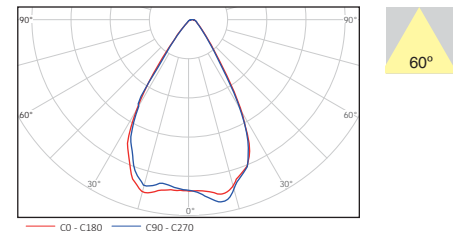
Model No.	ZGSM-FGD120H
Nominal Wattage	120W
Nominal Voltage	AC 100-240V /277V, 50/60Hz
Maximum Current	AC 1.23A -120V, 0.62A -240V, 0.53A -277V
Operating Temperature	-40 °C to +50 °C
Power Factor (PF)	> 0.9
Driver Efficiency	> 90%

### Photometric Specifications:

Lumen Output	11400 lm (+/- 5%)
Photometric Type	60°   90°   110°
CRI	> 70 CRI
CCT	<div style="display: flex; gap: 10px;"> <div style="border: 1px solid black; border-radius: 50%; padding: 2px 5px;">4000K</div> <div style="border: 1px solid black; border-radius: 50%; padding: 2px 5px;">5000K</div> <div style="border: 1px solid black; border-radius: 50%; padding: 2px 5px;">5700K</div> </div>

### Mechanical Specifications:

Ratings	IP66, IK10
Lumen Maintenance	> 60,000 hours -L70(9K), @25 °C (77 °F)
Heat Radiator	Anodized Aluminum
Lens	PC
Fixture Dimension	439 x340 x259 mm 19.4 x13.4 x10.2 inches
Fixture Weight	5.4 kg /11.9 lbs



### Packing Type

1 unit(s) /ctn.

### Packing Dimension

485 x365 x160 mm  
19.1 x14.4 x6.3 inches

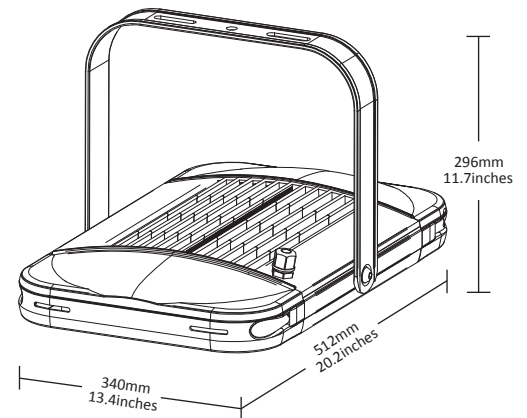
### Packing Weight

6.1 kg /13.4 lbs

# ZGSM-FGD160H

Unprecedented Comprehensive Lighting

Brighter  
250W HID Replacement



Dimming functions are supported by optional  
+ Three in One (1-10V DC or PWM Signal or Resistance)  
+ Timer - Contact ZGSM for Details

## Specifications

### Electrical Specifications:

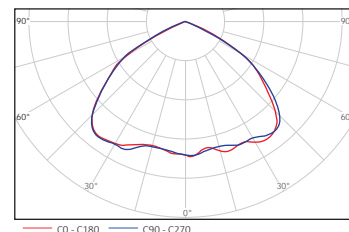
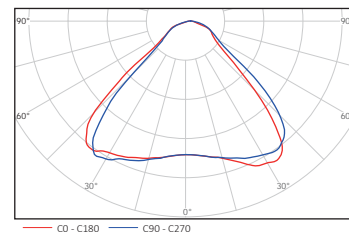
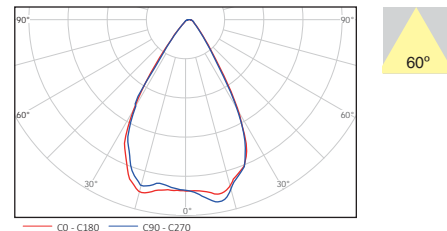
Model No.	ZGSM-FGD160H
Nominal Wattage	160W
Nominal Voltage	AC 100-240V /277V, 50/60Hz
Maximum Current	AC 1.65A -120V, 0.82A -240V, 0.71A -277V
Operating Temperature	-40 °C to +50 °C
Power Factor (PF)	> 0.9
Driver Efficiency	> 90%

### Photometric Specifications:

Lumen Output	15200 lm (+/- 5%)
Photometric Type	60°   90°   110°
CRI	> 70 CRI
CCT	<div style="display: flex; gap: 10px;"> <div style="border: 1px solid black; border-radius: 50%; padding: 2px 5px;">4000K</div> <div style="border: 1px solid black; border-radius: 50%; padding: 2px 5px;">5000K</div> <div style="border: 1px solid black; border-radius: 50%; padding: 2px 5px;">5700K</div> </div>

### Mechanical Specifications:

Ratings	IP66, IK10
Lumen Maintenance	> 60,000 hours -L70(9K), @25 °C (77 °F)
Heat Radiator	Anodized Aluminum
Lens	PC
Fixture Dimension	512 x340 x296 mm 20.2 x13.4 x11.7 inches
Fixture Weight	6.3 kg /13.9 lbs



### Packing Type

1 unit(s) /ctn.

### Packing Dimension

560 x365 x160 mm  
22.0 x14.4 x6.3 inches

### Packing Weight

7.0 kg /15.4 lbs



CE RoHS CB

www.zgsm-china.com

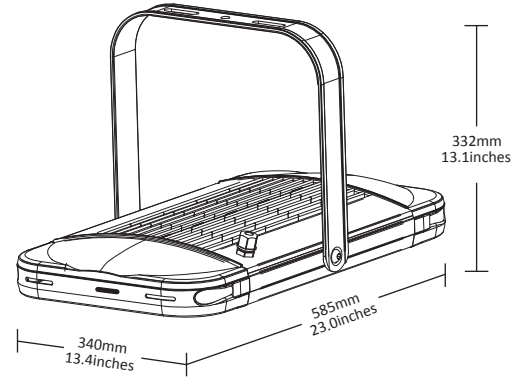




# ZGSM-FGD200H

Unprecedented Comprehensive Lighting

400W HID Replacement



Dimming functions are supported by optional  
 † Three in One (1-10V DC or PWM Signal or Resistance)  
 † Timer - Contact ZGSM for Details

## Specifications

### Electrical Specifications:

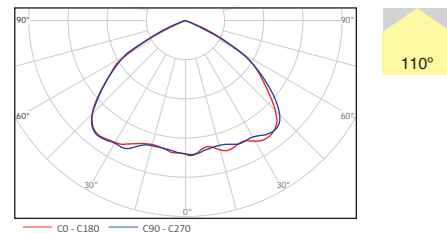
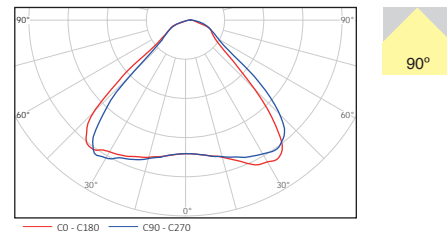
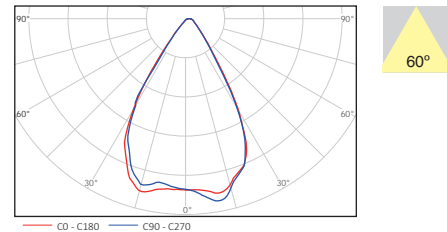
Model No.	ZGSM-FGD200H
Nominal Wattage	200W
Nominal Voltage	AC 100-240V /277V, 50/60Hz
Maximum Current	AC 2.06A -120V, 1.03A -240V, 0.89A -277V
Operating Temperature	-40 °C to +50 °C
Power Factor (PF)	> 0.9
Driver Efficiency	> 90%

### Photometric Specifications:

Lumen Output	19000 lm (+/- 5%)
Photometric Type	60°   90°   110°
CRI	> 70 CRI
CCT	<div style="display: flex; gap: 10px;"> <div style="border: 1px solid black; border-radius: 50%; padding: 2px 5px;">4000K</div> <div style="border: 1px solid black; border-radius: 50%; padding: 2px 5px;">5000K</div> <div style="border: 1px solid black; border-radius: 50%; padding: 2px 5px;">5700K</div> </div>

### Mechanical Specifications:

Ratings	IP66, IK10
Lumen Maintenance	> 60,000 hours -L70(9K), @25 °C (77 °F)
Heat Radiator	Anodized Aluminum
Lens	PC
Fixture Dimension	585 x340 x332 mm 23.0 x13.4 x13.1 inches
Fixture Weight	7.2 kg /15.9 lbs



### Packing Type

1 unit(s) /ctn.

### Packing Dimension

635 x365 x160 mm  
25.0 x14.4 x6.3 inches

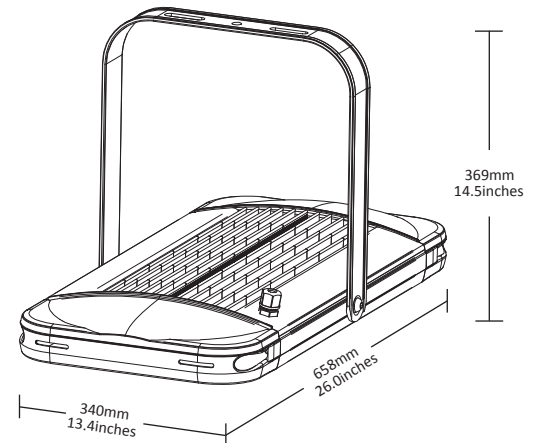
### Packing Weight

8.1 kg /17.9 lbs

# ZGSM-FGD240H

Unprecedented Comprehensive Lighting

Brighter  
400W HID Replacement




Dimming functions are supported by optional  
+ Three in One (1-10V DC or PWM Signal or Resistance)  
+ Timer - Contact ZGSM for Details

## Specifications

### Electrical Specifications:

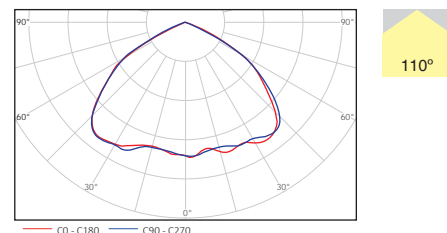
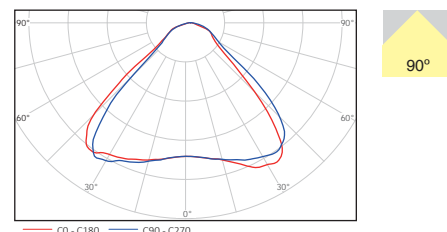
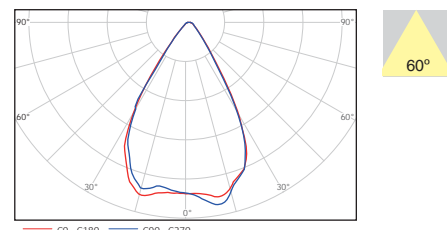
Model No.	ZGSM-FGD240H
Nominal Wattage	240W
Nominal Voltage	AC 100-240V /277V, 50/60Hz
Maximum Current	AC 2.47A -120V, 1.23A -240V, 1.07A -277V
Operating Temperature	-40 °C to +50 °C
Power Factor (PF)	> 0.9
Driver Efficiency	> 90%

### Photometric Specifications:

Lumen Output	22800 lm (+/- 5%)
Photometric Type	60°   90°   110°
CRI	> 70 CRI
CCT	

### Mechanical Specifications:

Ratings	IP66, IK10
Lumen Maintenance	> 60,000 hours -L70(9K), @25 °C (77 °F)
Heat Radiator	Anodized Aluminum
Lens	PC
Fixture Dimension	658 x340 x369 mm 26.0 x13.4 x14.5 inches
Fixture Weight	8.1 kg /17.9 lbs



### Packing Type

1 unit(s) /ctn.

### Packing Dimension

705 x365 x160 mm  
27.8 x14.4 x6.3 inches

### Packing Weight

9.0 kg /19.8 lbs



CE RoHS CB

www.zgsm-china.com



## Additional Information

---

### PACKING




### AFTER-SALE SERVICE

Hangzhou ZGSM Technology Co., Ltd (“ZGSM”) warrants this ZGSM-branded hardware product against defects in materials and workmanship under normal use for a period of FIVE (5) YEAR from the date of purchase. ZGSM provides free repair or replacement within warranty period. ZGSM shall charge against defeats by abnormal storage, useage, connection or change the structure or any compponents of the product.

\*Damage by thunderstroke over 4KV(L,N against FG) /2KV(L against N) will not covered by warranty based on IEC61000-4-5.

The product (LED lighting equipment, electrical , electronic equipment) should not be placed in municipal waste. Check local regulations for disposal of electronic products.

- Features and specifications are subject to change without notice.
- The product color may be different with actual due to discrepancy of camera or screen settings.
- ZGSM (  ) is a trademark of ZGSM Tech. All other trademarks are trademarks of their respective owners.