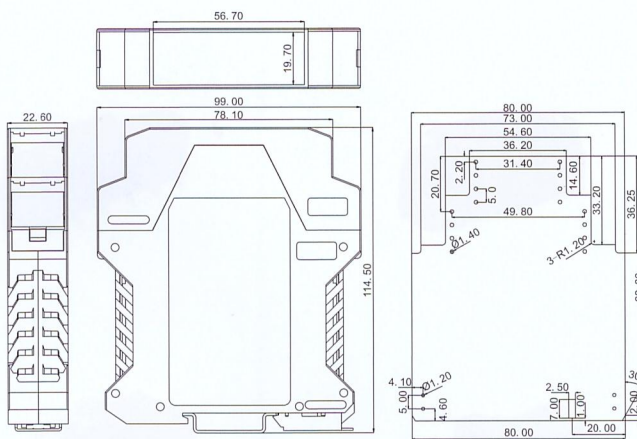
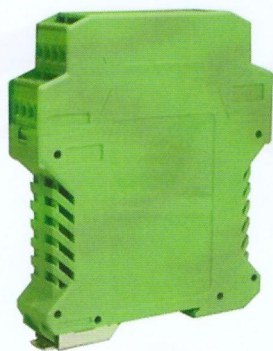
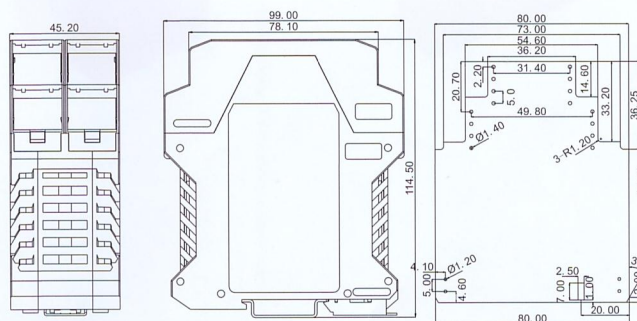


KFME2250



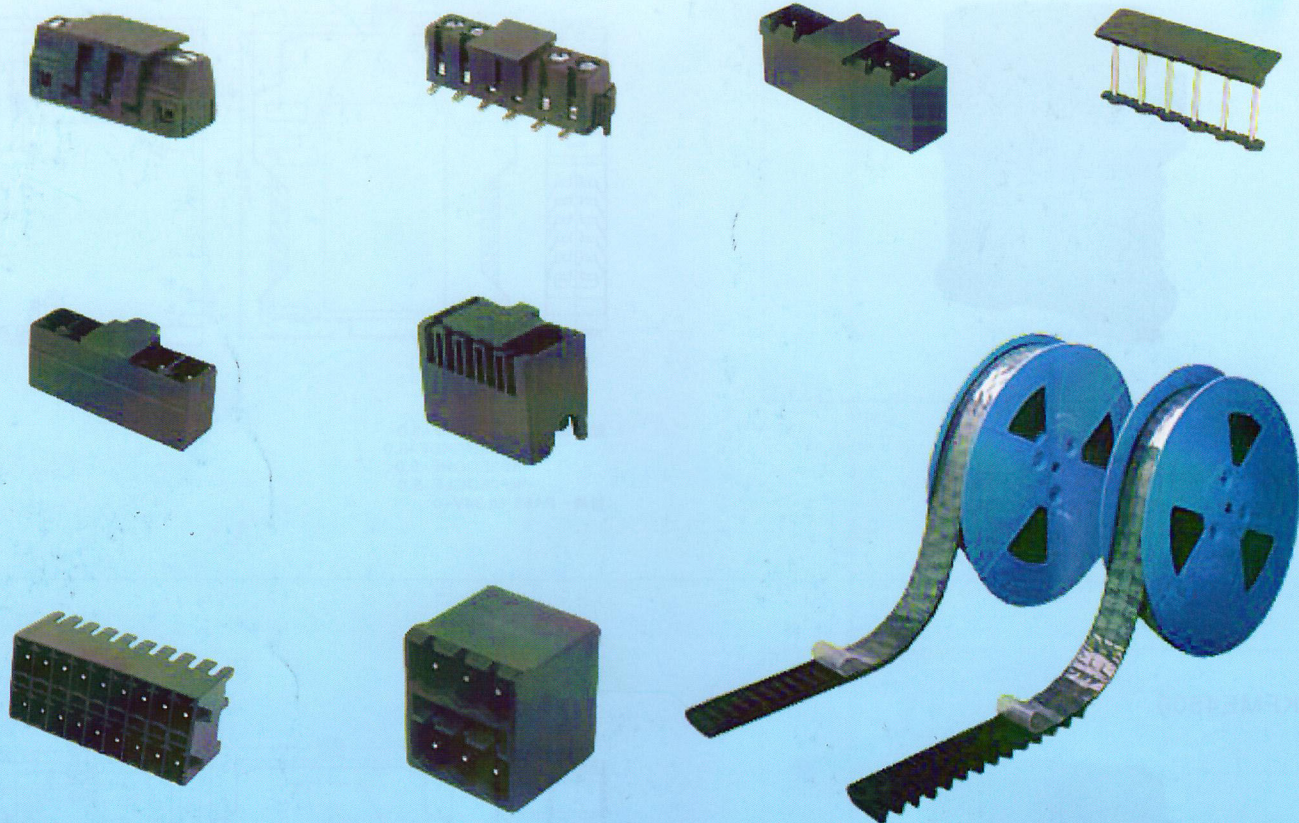
配套端子: KF2EDGKF-5.0  
 KF2EDGKDF-5.0  
 KF2EDGRF-5.0  
 KF2EDGLF-5.0  
 材质: PA66 UL94V-0

KFME4500



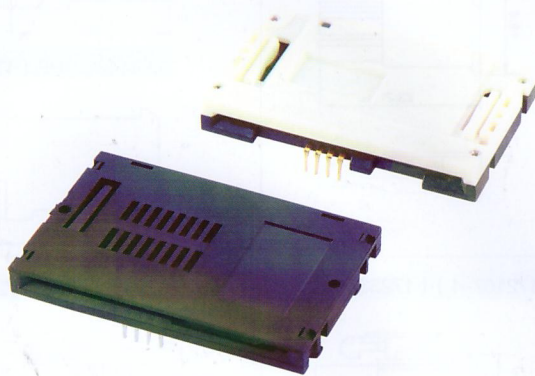
配套端子: KF2EDGKF-5.0  
 KF2EDGKDF-5.0  
 KF2EDGRF-5.0  
 KF2EDGLF-5.0  
 材质: PA66 UL94V-0





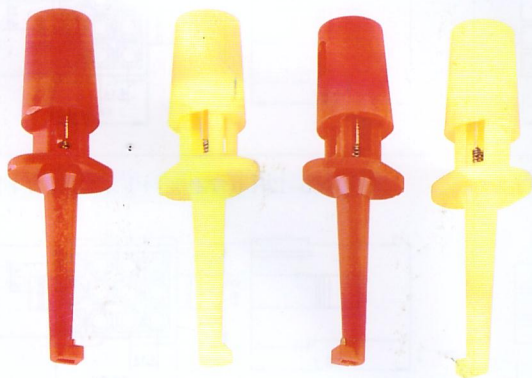


IC卡座  
KFICKZ

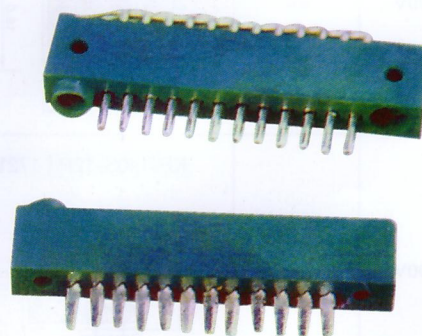


触点材料: 磷青铜、镀金  
 塑件: PBT,UL94V-0  
 使用寿命: 10万次以上  
 触点压力: 20-50CN  
 接触电阻: 100mΩ  
 绝缘电阻: 1000MΩ  
 插卡力: 10N Max  
 拔卡力: 3N Min  
 触点电容: ≤2PF  
 开关接触电容: ≤100MΩ  
 温度范围: -40℃ ~ +100℃

Contact:phosphor.Gold plated  
 Housing:PBT,UL94V-0  
 Endurance:more than100k eycles  
 Contacta press:20-50CN  
 Contact resistance:100mΩ  
 Insulation resistance:1000MΩ  
 Push:10N Max  
 Pull:3N Min  
 Contact cepeuty:≤2PF  
 Sutch capacity:≤100MΩ  
 Temperature range:-40℃ ~ +100℃



KF 测试钩  
Fest clip



2CH 规格: 4P-37P  
Poles:4P-37P