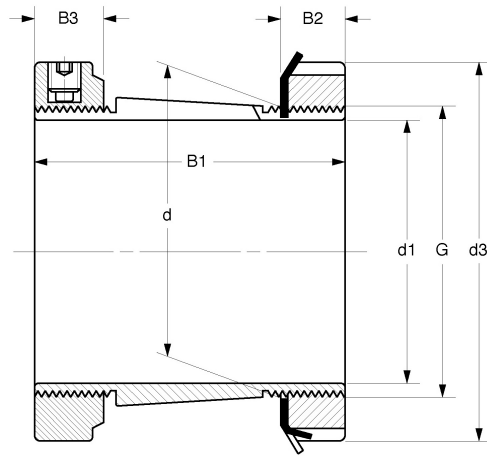


Easy extraction adapter sleeves

d1 20 mm- 135 mm

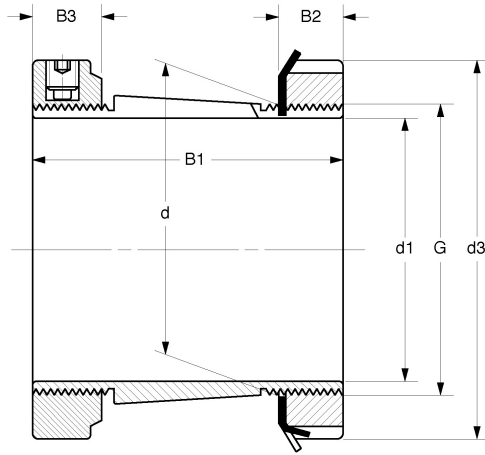


*Please see page 68 for recommend tightening torque of grub screw

Dimensions			Designation									
d1	d	d3	B1	B2	B3	G		Lock nut	Locking washer	Extraction nut*	Bearing(s)	
mm												
40	45	65	65	11	13	M45×1.5	A 2309	KM 9	MB 9	KMG 9	2309 K	
		65	67	11	13	M45×1.5	A K309	KM 9	MB 9	KMG 9	UK 309	
45	50	70	51	12	14	M50×1.5	A 210	KM 10	MB 10	KMG 10	1210 K	
		70	54	12	14	M50×1.5	A 2210	KM 10	MB 10	KMG 10	22210 K	
		70	54	12	14	M50×1.5	A 2210	KM 10	MB 10	KMG 10	2210 K	
		70	58	12	14	M50×1.5	A 310	KM 10	MB 10	KMG 10	1310 K	
		70	60	12	14	M50×1.5	A K210	KM 10	MB 10	KMG 10	UK 210	
		70	62	12	14	M50×1.5	A KX10	KM 10	MB 10	KMG 10	UKX 10	
		70	71	12	14	M50×1.5	A 2310	KM 10	MB 10	KMG 10	22310 K	
		70	71	12	14	M50×1.5	A 2310	KM 10	MB 10	KMG 10	2310 K	
50	55	75	54	12.5	14	M55×2	A 211	KM 11	MB 11	KMG 11	1211 K	
		75	58	12.5	14	M55×2	A 2211	KM 11	MB 11	KMG 11	22211 K	
		75	58	12.5	14	M55×2	A 2211	KM 11	MB 11	KMG 11	2211 K	
		75	62	12.5	14	M55×2	A 311	KM 11	MB 11	KMG 11	1311 K	
		75	64	12.5	14	M55×2	A K211	KM 11	MB 11	KMG 11	UK 211	
		75	66	12.5	14	M55×2	A KX11	KM 11	MB 11	KMG 11	UKX 11	
		75	76	12.5	14	M55×2	A 2311	KM 11	MB 11	KMG 11	22311 K	
		75	76	12.5	14	M55×2	A 2311	KM 11	MB 11	KMG 11	2311 K	
55	60	80	55	13	14	M60×2	A 212	KM 12	MB 12	KMG 12	1212 K	
		80	61	13	14	M60×2	A 2212	KM 12	MB 12	KMG 12	22212 K	
		80	61	13	14	M60×2	A 2212	KM 12	MB 12	KMG 12	2212 K	
		80	64	13	14	M60×2	A 312	KM 12	MB 12	KMG 12	1312 K	
		80	66	13	14	M60×2	A K212	KM 12	MB 12	KMG 12	UK 212	
		80	69	13	14	M60×2	A KX12	KM 12	MB 12	KMG 12	UKX 12	
		80	79	13	14	M60×2	A 2312	KM 12	MB 12	KMG 12	22312 K	
		80	79	13	14	M60×2	A 2312	KM 12	MB 12	KMG 12	2312 K	
60	65	85	58	14	15	M65×2	A 213	KM 13	MB 13	KMG 13	1213 K	
		85	66	14	15	M65×2	A 2213	KM 13	MB 13	KMG 13	22213 K	
		85	66	14	15	M65×2	A 2213	KM 13	MB 13	KMG 13	2213 K	
		85	68	14	15	M65×2	A 313	KM 13	MB 13	KMG 13	1313 K	
		85	71	14	15	M65×2	A K213	KM 13	MB 13	KMG 13	UK 213	
		85	75	14	15	M65×2	A KX13	KM 13	MB 13	KMG 13	UKX 13	
		85	83	14	15	M65×2	A 2313	KM 13	MB 13	KMG 13	22313 K	
		85	83	14	15	M65×2	A 2313	KM 13	MB 13	KMG 13	2313 K	
60	70	92	86	14	15	M65×2	A 2314	KM 14	MB 14	KMG 14	22314 K	
		92	66	14	15	M65×2	A 2214	KM 14	MB 14	KMG 14	22214 K	

Easy extraction adapter sleeves

d1 20 mm- 135 mm

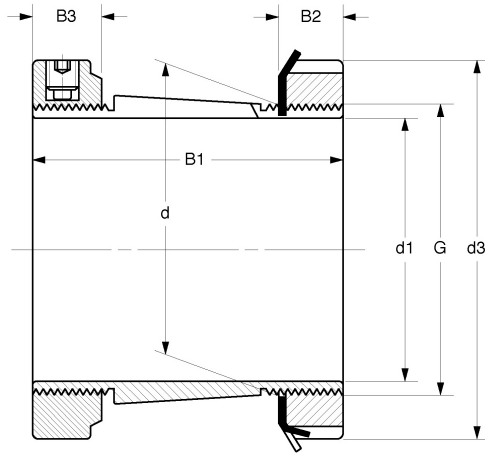


*Please see page 68 for recommend tightening torque of grub screw

Dimensions			Designation				Lock nut	Locking washer	Extraction nut*	Bearing(s)	
d1	d	d3	B1	B2	B3	G					
mm											
65	75	98	62	15	16	M75x2	A 215	KM 15	MB 15	KMG 15	1215 K
		98	62	15	16	M75x2	A 215	KM 15	MB 15	KMG 15	1215 K
		98	68	15	16	M75x2	A 2215	KM 15	MB 15	KMG 15	22215 K
		98	68	15	16	M75x2	A 2215	KM 15	MB 15	KMG 15	2215 K
		98	74	15	16	M75x2	A 315	KM 15	MB 15	KMG 15	1315 K
		98	77	15	16	M75x2	A K215	KM 15	MB 15	KMG 15	UK 215
		98	79	15	16	M75x2	A KX15	KM 15	MB 15	KMG 15	UKX 15
		98	92	15	16	M75x2	A 2315	KM 15	MB 15	KMG 15	22315 K
		98	92	15	16	M75x2	A 2315	KM 15	MB 15	KMG 15	2315 K
98	92	15	16	M75x2	A K315	KM 15	MB 15	KMG 15	UK 315		
70	80	105	67	17	18	M80x2	A 216	KM 16	MB 16	KMG 16	1216 K
		105	74	17	18	M80x2	A 2216	KM 16	MB 16	KMG 16	22216 K
		105	74	17	18	M80x2	A 2216	KM 16	MB 16	KMG 16	2216 K
		105	80	17	18	M80x2	A 316	KM 16	MB 16	KMG 16	1316 K
		105	83	17	18	M80x2	A K216	KM 16	MB 16	KMG 16	UK 216
		105	85	17	18	M80x2	A KX16	KM 16	MB 16	KMG 16	UKX 16
		105	96	17	18	M80x2	A K316	KM 16	MB 16	KMG 16	UK 316
		105	99	17	18	M80x2	A 2316	KM 16	MB 16	KMG 16	22316 K
		105	99	17	18	M80x2	A 2316	KM 16	MB 16	KMG 16	2316 K
75	85	110	71	18	19	M85x2	A 217	KM 17	MB 17	KMG 17	1217 K
		110	79	18	19	M80x2	A 2217	KM 17	MB 17	KMG 17	22217 K
		110	79	18	19	M85x2	A 2217	KM 17	MB 17	KMG 17	2217 K
		110	84	18	19	M85x2	A 317	KM 17	MB 17	KMG 17	1317 K
		110	87	18	19	M85x2	A K217	KM 17	MB 17	KMG 17	UK 217
		110	91	18	19	M85x2	A KX17	KM 17	MB 17	KMG 17	UKX 17
		110	103	18	19	M85x2	A 2317	KM 17	MB 17	KMG 17	22317 K
		110	103	18	19	M85x2	A 2317	KM 17	MB 17	KMG 17	2317 K
		110	103	18	19	M85x2	A K317	KM 17	MB 17	KMG 17	UK 317
80	90	120	73	18	19	M90x2	A 218	KM 18	MB 18	KMG 18	1218 K
		120	83	18	19	M90x2	A 2218	KM 18	MB 18	KMG 18	22218 K
		120	83	18	19	M90x2	A 2218	KM 18	MB 18	KMG 18	2218 K
		120	86	18	19	M90x2	A 318	KM 18	MB 18	KMG 18	1318 K
		120	91	18	19	M90x2	A K218	KM 18	MB 18	KMG 18	UK 218
		120	93	18	19	M90x2	A KX18	KM 18	MB 18	KMG 18	UKX 18
		120	103	18	19	M90x2	A K318	KM 18	MB 18	KMG 18	UK 318
		120	107	18	19	M90x2	A 2318	KM 18	MB 18	KMG 18	22318 K
		120	107	18	19	M90x2	A 2318	KM 18	MB 18	KMG 18	2318 K
85	95	125	77	19	20	M95x2	A 219	KM 19	MB 19	KMG 19	1219 K
		125	88	19	20	M95x2	A 2219	KM 19	MB 19	KMG 19	22219 K

Easy extraction adapter sleeves

d1 20 mm- 135 mm



*Please see page 68 for recommend tightening torque of grub screw

Dimensions			Designation				Lock nut	Locking washer	Extraction nut*	Bearing(s)	
d1	d	d3	B1	B2	B3	G					
mm											
85	95	125	88	19	20	M95×2	A 2219	KM 19	MB 19	KMG 19	2219 K
		125	90	19	20	M95×2	A 319	KM 19	MB 19	KMG 19	1319 K
		125	111	19	20	M95×2	A K319	KM 19	MB 19	KMG 19	UK 319
		125	112	19	20	M95×2	A 2319	KM 19	MB 19	KMG 19	22319 K
		125	112	19	20	M95×2	A 2319	KM 19	MB 19	KMG 19	2319 K
90	100	130	81	20	21	M100×2	A 220	KM 20	MB 20	KMG 20	1220 K
		130	93	20	21	M100×2	A 2220	KM 20	MB 20	KMG 20	22220 K
		130	93	20	21	M100×2	A 2220	KM 20	MB 20	KMG 20	2220 K
		130	94	20	21	M100×2	A320	KM 20	MB 20	KMG 20	1320 K
		130	101	20	21	M100×2	A KX20	KM 20	MB 20	KMG 20	UKX 20
		130	107.3	20	21	M100×2	A 3220	KM 20	MB 20	KMG 20	23220 K
		130	115	20	21	M100×2	A K320	KM 20	MB 20	KMG 20	UK 320
		130	120	20	21	M100×2	A 2320	KM 20	MB 20	KMG 20	22320 K
100	110	145	86.5	21	21.5	M110×2	A 222	KM 22	MB 22	KMG 22	1222 K
		145	98.5	21	21.5	M110×2	A 322	KM 22	MB 22	KMG 22	1322 K
		145	106.5	21	21.5	M110×2	A 2222	KM 22	MB 22	KMG 22	22222 K
		145	106.5	21	21.5	M110×2	A 2222	KM 22	MB 22	KMG 22	2222 K
		145	118.3	21	21.5	M110×2	A 3222	KM 22	MB 22	KMG 22	23222 K
		145	126.5	21	21.5	M110×2	A K322	KM 22	MB 22	KMG 22	UK 322
		145	128.5	21	21.5	M110×2	A 2322	KM 22	MB 22	KMG 22	22322 K
		145	128.5	21	21.5	M110×2	A 2322	KM 22	MB 22	KMG 22	2322 K
110	120	155	96	22	26	M120×2	A 224	KM 24	MB 24	KMG 24	1224 K
		155	112	22	26	M120×2	A 2224	KM 24	MB 24	KMG 24	22224 K
		155	130	22	26	M120×2	A 3224	KM 24	MB 24	KMG 24	23224 K
		155	140	22	26	M120×2	A 2324	KM 24	MB 24	KMG 24	22324 K
		155	141	22	26	M120×2	A K324	KM 24	MB 24	KMG 24	UK 324
115	130	165	121	23	28	M130×2	A 2226	KM 26	MB 26	KMG 26	22226 K
		165	137	23	28	M130×2	A 3226	KM 26	MB 26	KMG 26	23226 K
		165	144	23	28	M130×2	A K326	KM 26	MB 26	KMG 26	UK 326
		165	150	23	28	M130×2	A 2326	KM 26	MB 26	KMG 26	22326 K
125	140	165	127	24	29	M140×2	A 2228	KM 28	MB 28	KMG 28	22228 K
		165	147	24	29	M140×2	A 3228	KM 28	MB 28	KMG 28	23228 K
125	140	165	156	24	29	M140×2	A K328	KM 28	MB 28	KMG 28	UK 328
		165	161	24	29	M140×2	A 2328	KM 28	MB 28	KMG 28	22328 K
135	150	195	138	26	32	M150×2	A 2230	KM 30	MB 30	KMG 30	22230 K
		195	161	26	32	M150×2	A 3230	KM 30	MB 30	KMG 30	23230 K
		195	173	26	32	M150×2	A 2330	KM 30	MB 30	KMG 30	22330 K