

D SERIES



Application

- Workshop /Warehouse
- Cold Storage
- Gas Station
- Interior Parking Lot

Concise Surface Mounted LED High Bay Light

3 YEAR
WARRANTY

Product Benefits

HIGH-GRADE LED LUMINOUS SOURCE

Professional encapsulation with BRIDGELUX® or EPISTAR® LED chip makes the LED obtaining excellent protection of optical attenuation and heat conduction ratio.

STABLE, EFFICIENT LED DRIVER

Utilizing World's leading MEAN WELL® LED Driver, great luminaire stability, lifespan and optimal performance status.



The driver CE, RoHS, UL, TUV, CB certified.

OPTIMAL HEAT RADIATION PERFORMANCE

Adequate heat radiation area and excellent thermal management system enable the LEDs consistently work cooler, providing significant boosts to lifetime, efficacy, and color consistency.



UNIQUE OPTICAL SYSTEM

Designed the different beam angle directly from LEDs lens, available in 60° and 120° illuminated angle. Mirror surface processed reflector could collect the invalid light and reflect them into effective.



EXCLUSIVE DESIGN WITH PATENTS

Smart appearance subverted the traditional logic of luminaire.



Adjustable bracket supports most of application.



CE RoHS
certified by



www.zgsm-china.com

ZGSM



CE RoHS
certified by



www.zgsm-china.com



ZGSM-LGCD30WD

Concise Surface Mounted LED High Bay Light

70W HID Replacement



Dimming functions are supported by optional
 † Three in One (1-10V DC or PWM Signal or Resistance)
 † Timer - Contact ZGSM for Details

Specifications

Electrical Specifications:

Model No.	ZGSM-LGCD30WD
Nominal Wattage	35W
Nominal Voltage	AC 100-240V, 50/60Hz DC /
Maximum Current	AC 0.36A -120V, 0.18A -240V DC /
Optimal Operating Temperature	-40 °C to +50 °C
Power Factor (PF)	> 0.9
Driver Efficiency	> 90%

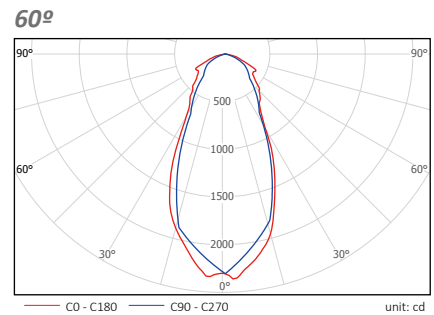
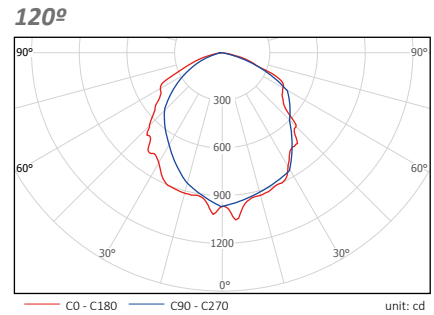
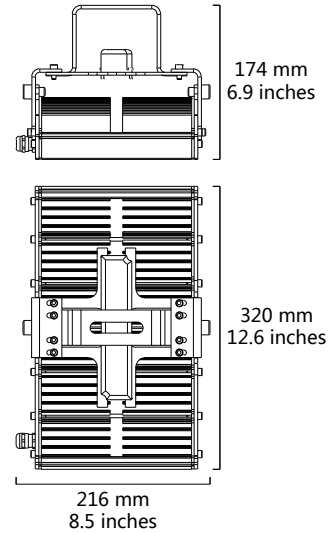
Photometric Specifications:

Lumen Output	†Lumen tolerance +/- 5%
3000-4500K	2975 lm
5000-6500K	3150 lm
CRI	Ra >= 75
CCT	



Mechanical Specifications:

IP Rating	IP65
Lifetime	50000 hours
Heat Radiator	Anodized Aluminum
Lens	Toughened Glass
Fixture Dimension	320 x216 x174 mm 12.6 x8.5 x6.9 inches
Fixture Weight	5.0 kg /11.0 lbs



*Photometric data based on 6000-6500K color temperature.

Packing Type

1 unit(s) /ctn.

Packing Dimension

340 x270 x215 mm
13.4 x10.6 x8.5 inches

Packing Weight

5.8 kg /12.8 lbs



www.zgsm-china.com



ZGSM-LGCD60WD

Concise Surface Mounted LED High Bay Light

100W HID Replacement



Dimming functions are supported by optional
 † Three in One (1-10V DC or PWM Signal or Resistance)
 † Timer - Contact ZGSM for Details

Specifications

Electrical Specifications:

Model No.	ZGSM-LGCD60WD
Nominal Wattage	65W
Nominal Voltage	AC 100-240V, 50/60Hz DC /
Maximum Current	AC 0.67A -120V, 0.33A -240V DC /
Optimal Operating Temperature	-40 °C to +50 °C
Power Factor (PF)	> 0.9
Driver Efficiency	> 90%

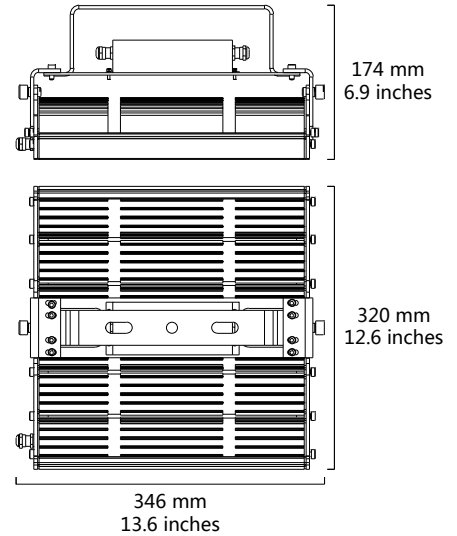
Photometric Specifications:

Lumen Output	†Lumen tolerance +/- 5%
3000-4500K	5525 lm
5000-6500K	5850 lm
CRI	Ra >= 75
CCT	

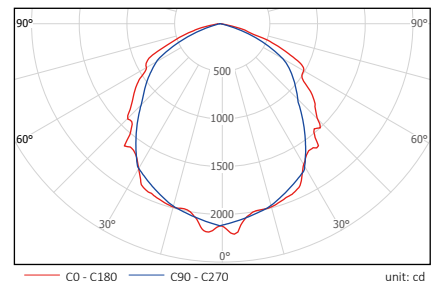


Mechanical Specifications:

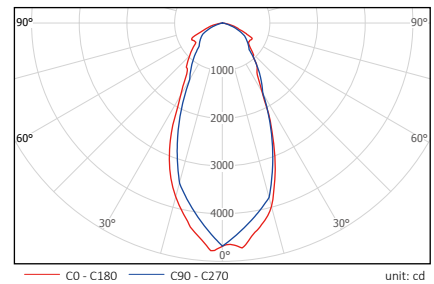
IP Rating	IP65
Lifetime	50000 hours
Heat Radiator	Anodized Aluminum
Lens	Toughened Glass
Fixture Dimension	346 x320 x174 mm 13.6 x12.6 x6.9 inches
Fixture Weight	7.0 kg /15.4 lbs



120°



60°



*Photometric data based on 6000-6500K color temperature.

Packing Type

1 unit(s) /ctn.

Packing Dimension

385 x375 x225 mm
15.2 x14.8 x8.9 inches

Packing Weight

9.0 kg /19.8 lbs



www.zgsm-china.com



ZGSM-LGCD90WD

Concise Surface Mounted LED High Bay Light

150W HID Replacement




Dimming functions are supported by optional
 † Three in One (1-10V DC or PWM Signal or Resistance)
 † Timer - Contact ZGSM for Details

Specifications

Electrical Specifications:

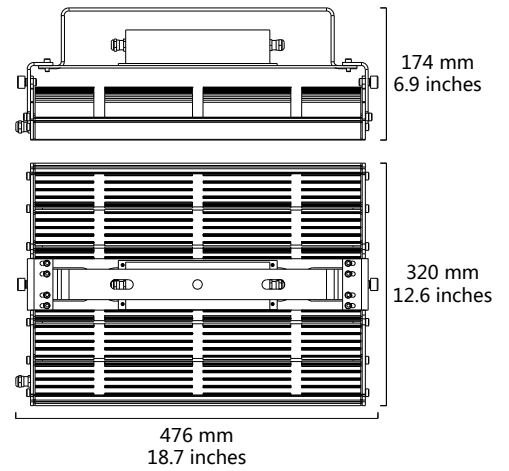
Model No.	ZGSM-LGCD90WD
Nominal Wattage	100W
Nominal Voltage	AC 100-240V, 50/60Hz DC /
Maximum Current	AC 1.03A -120V, 0.51A -240V DC /
Optimal Operating Temperature	-40 °C to +50 °C
Power Factor (PF)	> 0.9
Driver Efficiency	> 90%

Photometric Specifications:

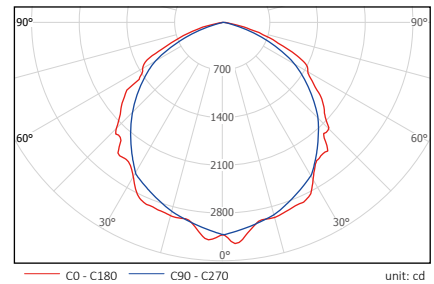
Lumen Output	†Lumen tolerance +/- 5%
3000-4500K	8500 lm
5000-6500K	9000 lm
CRI	Ra >= 75
CCT	

Mechanical Specifications:

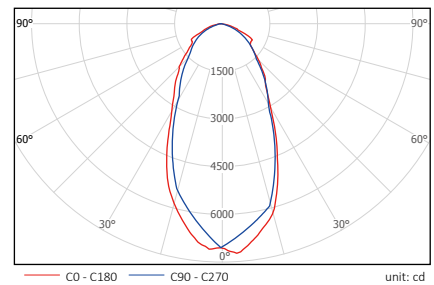
IP Rating	IP65
Lifetime	50000 hours
Heat Radiator	Anodized Aluminum
Lens	Toughened Glass
Fixture Dimension	476 x320 x174 mm 18.7x12.6 x6.9 inches
Fixture Weight	7.8 kg /17.2 lbs



120°



60°



*Photometric data based on 6000-6500K color temperature.

Packing Type

1unit(s) /ctn.

Packing Dimension

510 x375 x225 mm
20.1 x14.8 x8.9 inches

Packing Weight

11.5 kg /25.4 lbs



www.zgsm-china.com



ZGSM-LGCD120WD

Concise Surface Mounted LED High Bay Light

250W HID Replacement



Dimming functions are supported by optional
 + Three in One (1-10V DC or PWM Signal or Resistance)
 + Timer - Contact ZGSM for Details

Specifications

Electrical Specifications:

Model No.	ZGSM-LGCD120WD
Nominal Wattage	135W
Nominal Voltage	AC 100-240V, 50/60Hz DC /
Maximum Current	AC 1.39A -120V, 0.69A -240V DC /
Optimal Operating Temperature	-40 °C to +50 °C
Power Factor (PF)	> 0.9
Driver Efficiency	> 90%

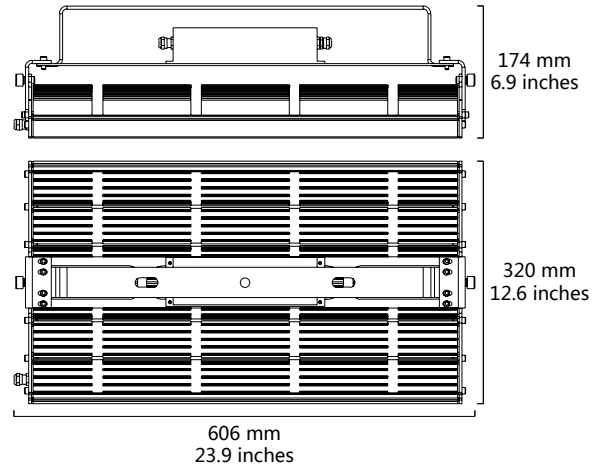
Photometric Specifications:

Lumen Output	+Lumen tolerance +/- 5%
3000-4500K	11475 lm
5000-6500K	12150 lm
CRI	Ra >= 75
CCT	

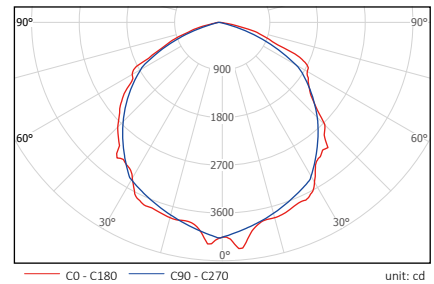


Mechanical Specifications:

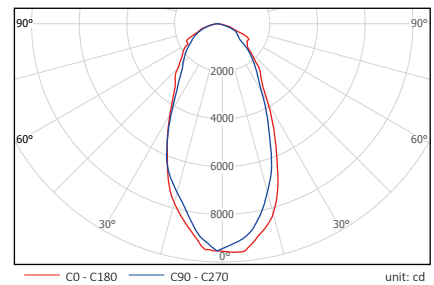
IP Rating	IP65
Lifetime	50000 hours
Heat Radiator	Anodized Aluminum
Lens	Toughened Glass
Fixture Dimension	606 x320 x174 mm 23.9 x12.6 x6.9 inches
Fixture Weight	11.5 kg /25.4 lbs



120°



60°



*Photometric data based on 6000-6500K color temperature.

Packing Type

1unit(s) /ctn.

Packing Dimension

640 x375 x225 mm
25.2 x14.8 x8.9 inches

Packing Weight


13.5 kg /29.8 lbs



www.zgsm-china.com



Certificates


ZERTIFIKAT	CERTIFICATE	CERTIFICADO	CERTIFICAT	ЗЕРТИФІКАТ	CERTIFICATE
 Product Service					
Attestation of Compliance					
No. E8N 11 10 78142 006					
Holder of Certificate: Hangzhou ZGSM Technology Co., Ltd.					
1188 Jinxi Rd S., Linglong Industrial Zone 311301 Linan, Hanzhou, Zhejiang Prov. PEOPLE'S REPUBLIC OF CHINA					
Name of Object: Fixed general purpose luminaires LED High Bay Light					
Model(s): ZGSM-LGCD30WD; ZGSM-LGCD60WD; ZGSM-LGCD90WD; ZGSM-LGCD120WD; ZGSM-LGCD180WE; ZGSM-LGCD150WE; ZGSM-LGCD120WE; ZGSM-LGCD180WE; ZGSM-LGCD150WE; ZGSM-LGCD180WE; ZGSM-LGCD210WE.					
Description of Object:					
Rated voltage: 100-240V~ Rated frequency: 50/60Hz					
Rated power: ZGSM-LGCD30WD:35W;ZGSM-LGCD60WD:65W; ZGSM-LGCD90WD:100W;ZGSM-LGCD120WD:135W; ZGSM-LGCD30WE:35W;ZGSM-LGCD60WE:65W; ZGSM-LGCD90WE:100W;ZGSM-LGCD120WE:135W; ZGSM-LGCD150WE:165W;ZGSM-LGCD180WE:200W; ZGSM-LGCD210WE:220W.					
Protection Class: I					
Tested according to: EN 55015/A2:2009 EN 61547:2009 EN 61000-3-2/A2:2009 EN 61000-3-3:2008					
This Attestation of Compliance is issued according to the Directive 2004/108/EC relating to electromagnetic compatibility on a voluntary basis. It confirms that the listed apparatus complies with all essential requirements of the EMC directive and applies only to the sample and its technical documentation submitted to TÜV SÜD Product Service GmbH for testing and certification. See also notes overleaf.					
Test report no.: 708881183002-00					
 (Linda Olin)					
					
 After preparation of the necessary technical documentation as well as the EC conformity declaration the required CE marking can be affixed on the product. Other relevant directives have to be observed.					
Page 1 of 1					
TÜV SÜD Product Service GmbH - Zertifizierstelle - Ridlerstraße 65 - 80339 München - Germany					
TUV®					

CE-EMC

ZERTIFIKAT	CERTIFICATE	CERTIFICADO	CERTIFICAT	ЗЕРТИФІКАТ	CERTIFICATE
 Product Service					
Attestation of Conformity					
No. N8 11 09 78142 001					
Holder of Certificate: Hangzhou ZGSM Technology Co., Ltd.					
1188 Jinxi Rd S., Linglong Industrial Zone 311301 Linan, Hanzhou, Zhejiang Prov. PEOPLE'S REPUBLIC OF CHINA					
Product: Fixed general purpose luminaires LED High Bay Light					
Model(s): ZGSM-LGCD30WD; ZGSM-LGCD60WD; ZGSM-LGCD90WD; ZGSM-LGCD120WD; ZGSM-LGCD30WE; ZGSM-LGCD60WE; ZGSM-LGCD90WE; ZGSM-LGCD120WE; ZGSM-LGCD150WE; ZGSM-LGCD180WE; ZGSM-LGCD210WE.					
Parameters:					
Rated voltage: 100-240V~ Rated frequency: 50/60Hz					
Rated power: ZGSM-LGCD30WD:35W;ZGSM-LGCD60WD:65W; ZGSM-LGCD90WD:100W;ZGSM-LGCD120WD:135W; ZGSM-LGCD30WE:35W;ZGSM-LGCD60WE:65W; ZGSM-LGCD90WE:100W;ZGSM-LGCD120WE:135W; ZGSM-LGCD150WE:165W;ZGSM-LGCD180WE:200W; ZGSM-LGCD210WE:220W.					
Protection Class: I Degree of protection: IP65					
Tested according to: EN 60598-2-1:1989 EN 60598-1/A1:2009 EN 62471:2008					
This Attestation of Conformity is issued on a voluntary basis according to the Low Voltage Directive 2006/95/EC relating to electrical equipment designed for use within certain voltage limits. It confirms that the listed equipment complies with the principal protection requirements of the directive. It refers only to the particular sample submitted for testing and certification. See also notes overleaf.					
Test report no.: 704021183002-00					
 (Binwen Zhang)					
					
 After preparation of the necessary technical documentation as well as the EC conformity declaration the required CE marking can be affixed on the product. Other relevant directives have to be observed.					
Page 1 of 1					
TÜV SÜD Product Service GmbH - Zertifizierstelle - Ridlerstraße 65 - 80339 München - Germany					
TUV®					

CE-LVD

The product (LED lighting equipment, electrical, electronic equipment) should not be placed in municipal waste. Check local regulations for disposal of electronic products.

- Features and specifications are subject to change without notice.
- The product color may be different with actual due to discrepancy of camera or screen settings.
- ZGSM () is a trademark of ZGSM Tech. All other trademarks are trademarks of their respective owners.

