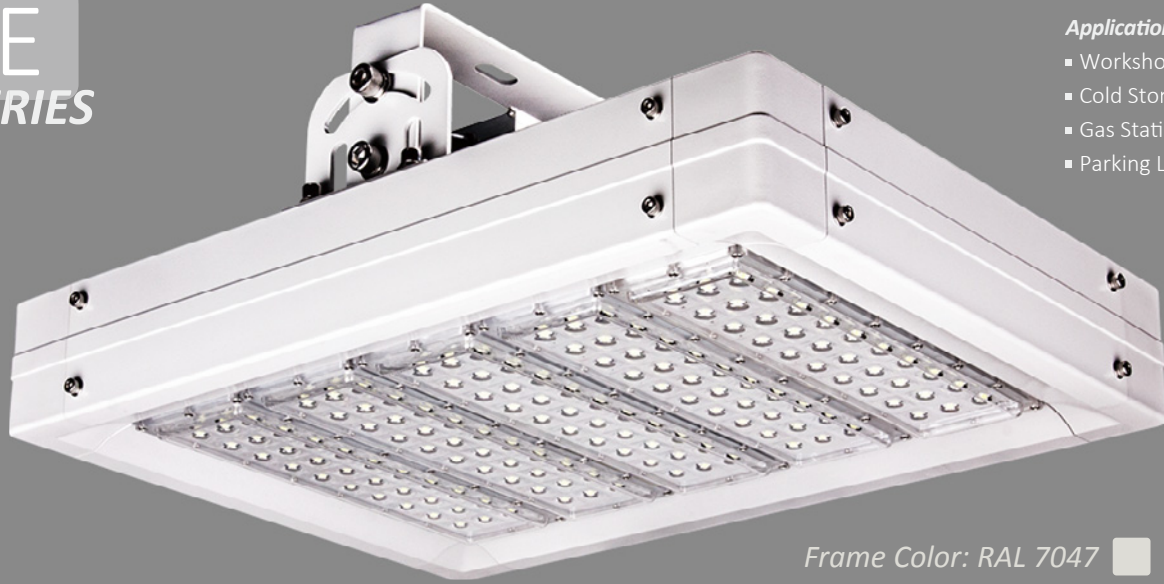


E
SERIES



Application

- Workshop, Warehouse
- Cold Storage
- Gas Station
- Parking Lot

Frame Color: RAL 7047 

High Performance Surface Mounted LED High Bay Light

3 YEAR
WARRANTY

Product Benefits

HIGH-GRADE LED LUMINOUS SOURCE

Professional encapsulation with BRIDGELUX® or EPISTAR® LED chip makes the LED obtaining excellent protection of optical attenuation and heat conduction ratio.

STABLE, EFFICIENT LED DRIVER

Utilizing World's leading MEAN WELL® LED Driver, great luminaire stability, lifespan and optimal performance status.



The driver CE, RoHS, UL, TUV, CB certified.

OPTIMAL HEAT RADIATION PERFORMANCE

Adequate heat radiation area and excellent thermal management system enable the LEDs consistently work cooler, providing significant boosts to lifetime, efficacy, and color consistency.



UNIQUE OPTICAL SYSTEM

Designed the different beam angle directly from LEDs lens, available in 60° and 120° illuminated angle. Mirror surface processed reflector could collect the invalid light and reflect them into effective.



EXCLUSIVE DESIGN WITH PATENTS

Modular design for lighting parts, makes maintenance more simple.



Black optional



Back with airing design

CE RoHS
certified by 

www.zgsm-china.com


ZGSM



CE RoHS
certified by



www.zgsm-china.com



ZGSM-LGCD30WE

High Performance Surface Mounted LED High Bay Light

70W HID Replacement




Dimming functions are supported by optional
 † Three in One (1-10V DC or PWM Signal or Resistance)
 † Timer - Contact ZGSM for Details

Specifications

Electrical Specifications:

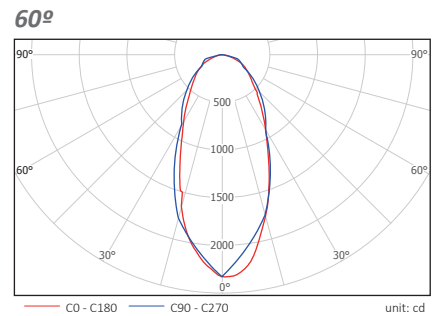
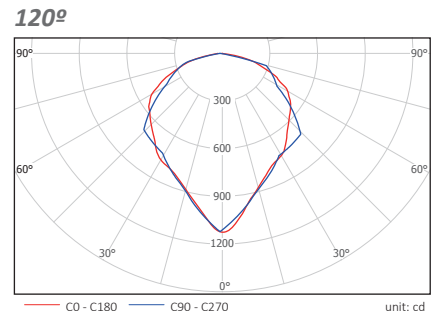
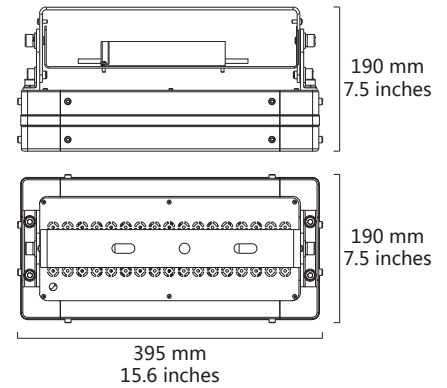
Model No.	ZGSM-LGCD30WE
Nominal Wattage	35W
Nominal Voltage	AC 100-240V, 50/60Hz DC /
Maximum Current	AC 0.36A -120V, 0.18A -240V DC /
Optimal Operating Temperature	-40 °C to +50 °C
Power Factor (PF)	> 0.9
Driver Efficiency	> 90%

Photometric Specifications:

Lumen Output	†Lumen tolerance +/- 5%
3000-4500K	3150 lm
5000-6500K	3325 lm
CRI	Ra >= 75
CCT	

Mechanical Specifications:

IP Rating	IP65
Lifetime	50000 hours
Heat Radiator	Anodized Aluminum
Lens	Clear PC
Fixture Dimension	395 x190 x190 mm 15.6 x7.5 x7.5 inches
Fixture Weight	4.2 kg /9.3 lbs



*Photometric data based on 6000-6500K color temperature.

Packing Type

1unit(s) /ctn.

Packing Dimension

445 x240 x220 mm
17.5 x9.4 x8.7 inches

Packing Weight

5.2 kg /11.5 lbs



www.zgsm-china.com



ZGSM-LGCD60WE

High Performance Surface Mounted LED High Bay Light

100W HID Replacement




Dimming functions are supported by optional
 † Three in One (1-10V DC or PWM Signal or Resistance)
 † Timer - Contact ZGSM for Details

Specifications

Electrical Specifications:

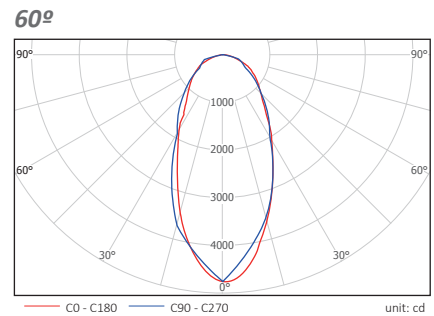
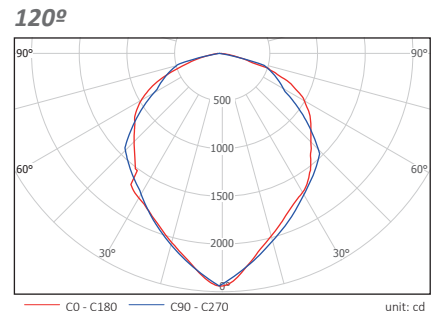
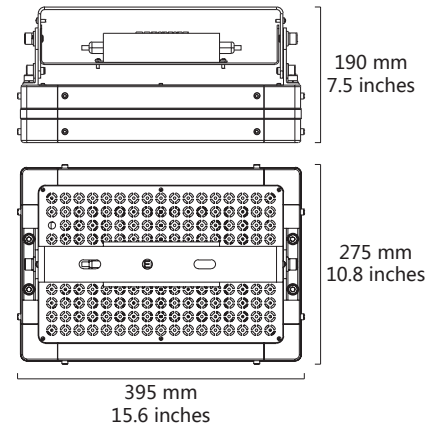
Model No.	ZGSM-LGCD60WE
Nominal Wattage	65W
Nominal Voltage	AC 100-240V, 50/60Hz DC /
Maximum Current	AC 0.67A -120V, 0.33A -240V DC /
Optimal Operating Temperature	-40 °C to +50 °C
Power Factor (PF)	> 0.9
Driver Efficiency	> 90%

Photometric Specifications:

Lumen Output	†Lumen tolerance +/- 5%
3000-4500K	5850 lm
5000-6500K	6175 lm
CRI	Ra >= 75
CCT	

Mechanical Specifications:

IP Rating	IP65
Lifetime	50000 hours
Heat Radiator	Anodized Aluminum
Lens	Clear PC
Fixture Dimension	395 x275 x190 mm 15.6 x10.8 x7.5 inches
Fixture Weight	5.8 kg /12.8 lbs



*Photometric data based on 6000-6500K color temperature.

Packing Type

1unit(s) /ctn.

Packing Dimension

445 x325 x220 mm
17.5 x12.8 x8.7 inches

Packing Weight

7.0 kg /15.4 lbs



www.zgsm-china.com



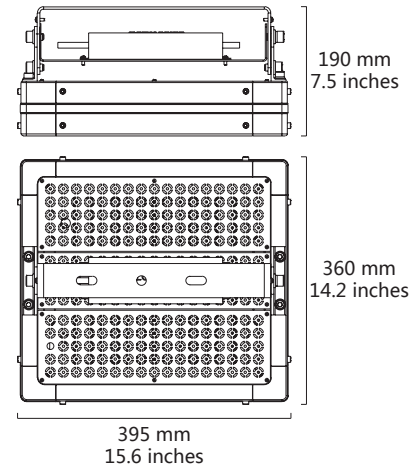
ZGSM-LGCD90WE

High Performance Surface Mounted LED High Bay Light

150W HID Replacement



Dimming functions are supported by optional
 † Three in One (1-10V DC or PWM Signal or Resistance)
 † Timer - Contact ZGSM for Details



Specifications

Electrical Specifications:

Model No.	ZGSM-LGCD90WE
Nominal Wattage	100W
Nominal Voltage	AC 100-240V, 50/60Hz DC /
Maximum Current	AC 1.03A -120V, 0.51A -240V DC /
Optimal Operating Temperature	-40 °C to +50 °C
Power Factor (PF)	> 0.9
Driver Efficiency	> 90%

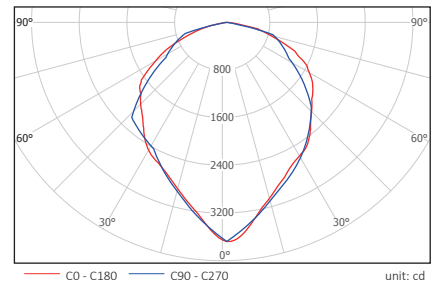
Photometric Specifications:

Lumen Output	†Lumen tolerance +/- 5%
3000-4500K	9000 lm
5000-6500K	9500 lm
CRI	Ra >= 75
CCT	

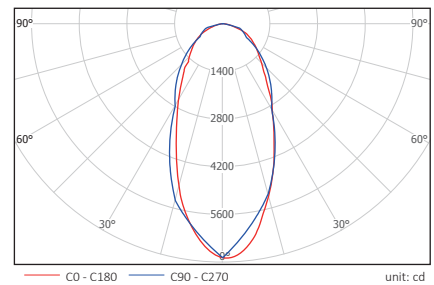
Mechanical Specifications:

IP Rating	IP65
Lifetime	50000 hours
Heat Radiator	Anodized Aluminum
Lens	Clear PC
Fixture Dimension	395 x360 x190 mm 15.6 x14.2 x7.5 inches
Fixture Weight	7.8 kg /17.2 lbs

120°



60°



*Photometric data based on 6000-6500K color temperature.

Packing Type

1unit(s) /ctn.

Packing Dimension

445 x410 x220 mm
17.5 x16.1 x8.7 inches

Packing Weight

9.2 kg /20.3 lbs



www.zgsm-china.com



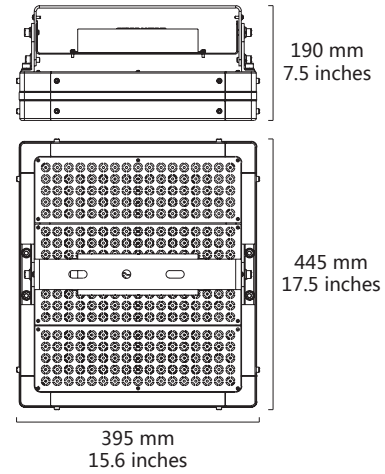
ZGSM-LGCD120WE

High Performance Surface Mounted LED High Bay Light

250W HID Replacement



Dimming functions are supported by optional
 † Three in One (1-10V DC or PWM Signal or Resistance)
 † Timer - Contact ZGSM for Details



Specifications

Electrical Specifications:

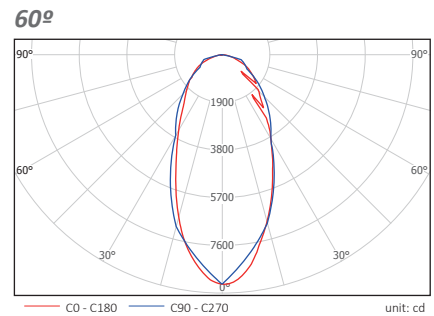
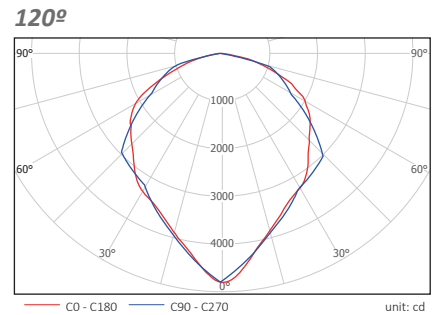
Model No.	ZGSM-LGCD120WE
Nominal Wattage	135W
Nominal Voltage	AC 100-240V, 50/60Hz DC /
Maximum Current	AC 1.39A -120V, 0.69A -240V DC /
Optimal Operating Temperature	-40 °C to +50 °C
Power Factor (PF)	> 0.9
Driver Efficiency	> 90%

Photometric Specifications:

Lumen Output	†Lumen tolerance +/- 5%
3000-4500K	12150 lm
5000-6500K	12825 lm
CRI	Ra >= 75
CCT	

Mechanical Specifications:

IP Rating	IP65
Lifetime	50000 hours
Heat Radiator	Anodized Aluminum
Lens	Clear PC
Fixture Dimension	445 x395 x190 mm 17.5 x15.6 x7.5 inches
Fixture Weight	9.2 kg /20.3 lbs



*Photometric data based on 6000-6500K color temperature.

Packing Type

1unit(s) /ctn.

Packing Dimension

495 x445 x220 mm
19.5 x17.5 x8.7 inches

Packing Weight

10.8 kg /23.8 lbs



www.zgsm-china.com



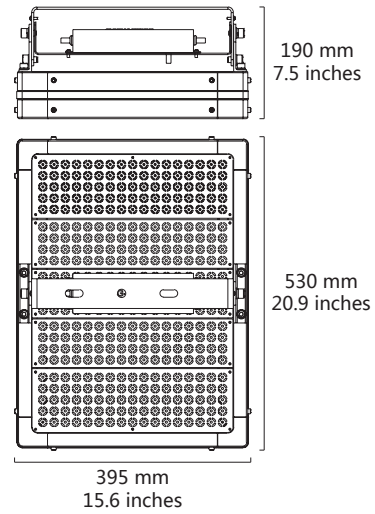
ZGSM-LGCD150WE

High Performance Surface Mounted LED High Bay Light

Brighter
250W HID Replacement



Dimming functions are supported by optional
 † Three in One (1-10V DC or PWM Signal or Resistance)
 † Timer - Contact ZGSM for Details



Specifications

Electrical Specifications:

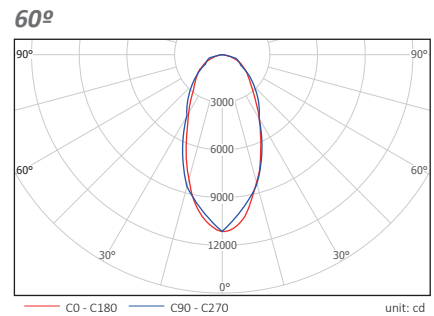
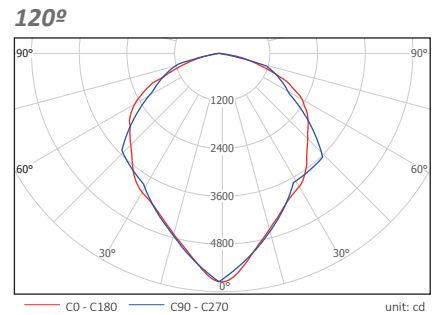
Model No.	ZGSM-LGCD150WE
Nominal Wattage	165W
Nominal Voltage	AC 100-240V, 50/60Hz DC /
Maximum Current	AC 1.70A -120V, 0.85A -240V DC /
Optimal Operating Temperature	-40 °C to +50 °C
Power Factor (PF)	> 0.9
Driver Efficiency	> 90%

Photometric Specifications:

Lumen Output	†Lumen tolerance +/- 5%
3000-4500K	14850 lm
5000-6500K	15675 lm
CRI	Ra >= 75
CCT	

Mechanical Specifications:

IP Rating	IP65
Lifetime	50000 hours
Heat Radiator	Anodized Aluminum
Lens	Clear PC
Fixture Dimension	530 x395 x190 mm 20.9 x15.6 x7.5 inches
Fixture Weight	10.7 kg /23.6 lbs



*Photometric data based on 6000-6500K color temperature.

Packing Type

1unit(s) /ctn.

Packing Dimension

580 x445 x220 mm
22.8 x17.5 x8.7 inches

Packing Weight

12.5 kg /27.6 lbs



www.zgsm-china.com



ZGSM-LGCD180WE

High Performance Surface Mounted LED High Bay Light

400W HID Replacement



Dimming functions are supported by optional
 † Three in One (1-10V DC or PWM Signal or Resistance)
 † Timer - Contact ZGSM for Details

Specifications

Electrical Specifications:

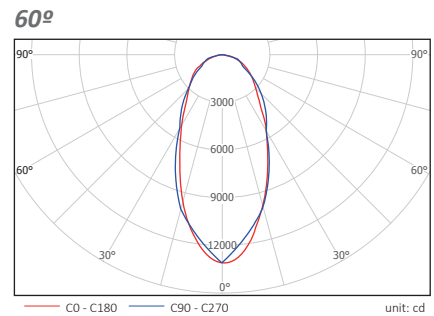
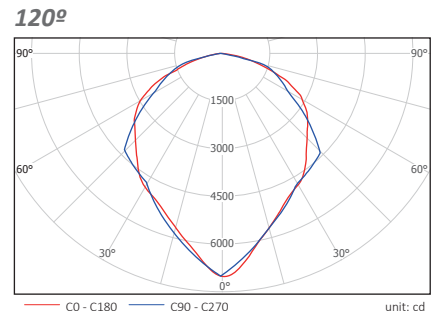
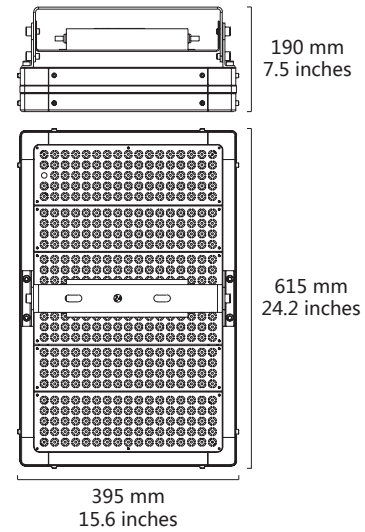
Model No.	ZGSM-LGCD180WE
Nominal Wattage	200W
Nominal Voltage	AC 100-240V, 50/60Hz DC /
Maximum Current	AC 2.06A -120V, 1.03A -240V DC /
Optimal Operating Temperature	-40 °C to +50 °C
Power Factor (PF)	> 0.9
Driver Efficiency	> 90%

Photometric Specifications:

Lumen Output	†Lumen tolerance +/- 5%
3000-4500K	18000 lm
5000-6500K	19000 lm
CRI	Ra >= 75
CCT	

Mechanical Specifications:

IP Rating	IP65
Lifetime	50000 hours
Heat Radiator	Anodized Aluminum
Lens	Clear PC
Fixture Dimension	615 x395 x190 mm 24.2 x15.6 x7.5 inches
Fixture Weight	12.3 kg /27.1 lbs



*Photometric data based on 6000-6500K color temperature.

Packing Type

1unit(s) /ctn.

Packing Dimension

665 x445 x220 mm
26.2 x17.5 x8.7 inches

Packing Weight

14.3 kg /31.5 lbs



www.zgsm-china.com



ZGSM-LGCD210WE

High Performance Surface Mounted LED High Bay Light

Brighter
400W HID Replacement



Dimming functions are supported by optional
† Three in One (1-10V DC or PWM Signal or Resistance)
† Timer - Contact ZGSM for Details

Specifications

Electrical Specifications:

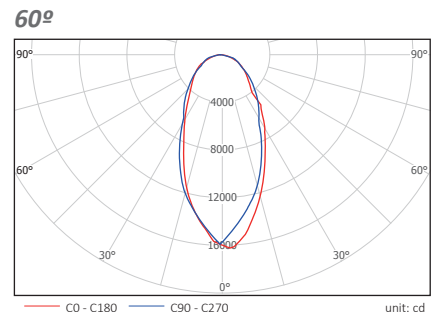
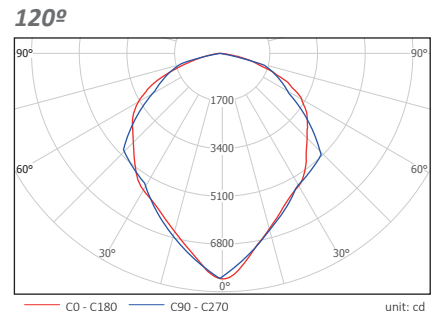
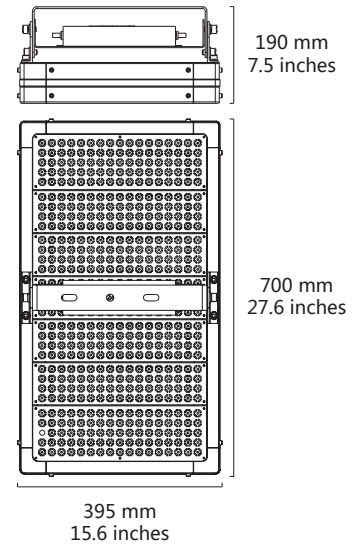
Model No.	ZGSM-LGCD210WE
Nominal Wattage	230W
Nominal Voltage	AC 100-240V, 50/60Hz DC /
Maximum Current	AC 2.37A -120V, 1.18A -240V DC /
Optimal Operating Temperature	-40 °C to +50 °C
Power Factor (PF)	> 0.9
Driver Efficiency	> 90%

Photometric Specifications:

Lumen Output	†Lumen tolerance +/- 5%
3000-4500K	20700 lm
5000-6500K	21850 lm
CRI	Ra >= 75
CCT	

Mechanical Specifications:

IP Rating	IP65
Lifetime	50000 hours
Heat Radiator	Anodized Aluminum
Lens	Clear PC
Fixture Dimension	700 x395 x190 mm 27.6 x15.6 x7.5 inches
Fixture Weight	13.9 kg /30.6 lbs



*Photometric data based on 6000-6500K color temperature.

Packing Type

1unit(s) /ctn.

Packing Dimension

750 x445 x220 mm
29.5 x17.5 x8.7 inches

Packing Weight

16.1 kg /35.5 lbs



www.zgsm-china.com



Certificates


ZERTIFIKAT ◆ CERTIFICATE ◆ CERTIFICADO ◆ CERTIFICAT ◆	 Product Service						
Attestation of Compliance No. E8N 11 10 78142 006							
Holder of Certificate: Hangzhou ZGSM Technology Co., Ltd. 1188 Jinxi Rd S., Linglong Industrial Zone 311301 Linan, Hanzhou, Zhejiang Prov. PEOPLE'S REPUBLIC OF CHINA							
Name of Object: Fixed general purpose luminaires LED High Bay Light							
Model(s): ZGSM-LGCD30WD; ZGSM-LGCD60WD; ZGSM-LGCD90WD; ZGSM-LGCD120WD; ZGSM-LGCD150WE; ZGSM-LGCD180WE; ZGSM-LGCD190WE; ZGSM-LGCD210WE; ZGSM-LGCD210WE.							
Description of Object: <table border="0"> <tr> <td>Rated voltage:</td> <td>100-240V~</td> </tr> <tr> <td>Rated frequency:</td> <td>50/60Hz</td> </tr> <tr> <td>Rated power:</td> <td>ZGSM-LGCD30WD:35W;ZGSM-LGCD60WD:65W; ZGSM-LGCD90WD:100W;ZGSM-LGCD120WD:135W; ZGSM-LGCD150WE:165W;ZGSM-LGCD180WE:200W; ZGSM-LGCD210WE:220W.</td> </tr> </table>		Rated voltage:	100-240V~	Rated frequency:	50/60Hz	Rated power:	ZGSM-LGCD30WD:35W;ZGSM-LGCD60WD:65W; ZGSM-LGCD90WD:100W;ZGSM-LGCD120WD:135W; ZGSM-LGCD150WE:165W;ZGSM-LGCD180WE:200W; ZGSM-LGCD210WE:220W.
Rated voltage:	100-240V~						
Rated frequency:	50/60Hz						
Rated power:	ZGSM-LGCD30WD:35W;ZGSM-LGCD60WD:65W; ZGSM-LGCD90WD:100W;ZGSM-LGCD120WD:135W; ZGSM-LGCD150WE:165W;ZGSM-LGCD180WE:200W; ZGSM-LGCD210WE:220W.						
Protection Class: I							
Tested according to: EN 55015/A2:2009 EN 61547:2009 EN 61000-3-2/A2:2009 EN 61000-3-3:2008							
This Attestation of Compliance is issued according to the Directive 2004/108/EC relating to electromagnetic compatibility on a voluntary basis. It confirms that the listed apparatus complies with all essential requirements of the EMC directive and applies only to the sample and its technical documentation submitted to TÜV SÜD Product Service GmbH for testing and certification. See also notes overleaf.							
Test report no.: 708881183002-00							
 (Linda Olin)							
							
Date, 2011-10-19							
 After preparation of the necessary technical documentation as well as the EC conformity declaration the required CE marking can be affixed on the product. Other relevant directives have to be observed.							
Page 1 of 1							
TÜV SÜD Product Service GmbH - Zertifizierstelle - Ridlerstraße 65 - 80339 München - Germany 							

CE-EMC

ZERTIFIKAT ◆ CERTIFICATE ◆ CERTIFICADO ◆ CERTIFICAT ◆	 Product Service						
Attestation of Conformity No. N8 11 09 78142 001							
Holder of Certificate: Hangzhou ZGSM Technology Co., Ltd. 1188 Jinxi Rd S., Linglong Industrial Zone 311301 Linan, Hanzhou, Zhejiang Prov. PEOPLE'S REPUBLIC OF CHINA							
Product: Fixed general purpose luminaires LED High Bay Light							
Model(s): ZGSM-LGCD30WD; ZGSM-LGCD60WD; ZGSM-LGCD90WD; ZGSM-LGCD120WD; ZGSM-LGCD150WE; ZGSM-LGCD180WE; ZGSM-LGCD190WE; ZGSM-LGCD210WE.							
Parameters: <table border="0"> <tr> <td>Rated voltage:</td> <td>100-240V~</td> </tr> <tr> <td>Rated frequency:</td> <td>50/60Hz</td> </tr> <tr> <td>Rated power:</td> <td>ZGSM-LGCD30WD:35W;ZGSM-LGCD60WD:65W; ZGSM-LGCD90WD:100W;ZGSM-LGCD120WD:135W; ZGSM-LGCD150WE:165W;ZGSM-LGCD180WE:200W; ZGSM-LGCD210WE:220W.</td> </tr> </table>		Rated voltage:	100-240V~	Rated frequency:	50/60Hz	Rated power:	ZGSM-LGCD30WD:35W;ZGSM-LGCD60WD:65W; ZGSM-LGCD90WD:100W;ZGSM-LGCD120WD:135W; ZGSM-LGCD150WE:165W;ZGSM-LGCD180WE:200W; ZGSM-LGCD210WE:220W.
Rated voltage:	100-240V~						
Rated frequency:	50/60Hz						
Rated power:	ZGSM-LGCD30WD:35W;ZGSM-LGCD60WD:65W; ZGSM-LGCD90WD:100W;ZGSM-LGCD120WD:135W; ZGSM-LGCD150WE:165W;ZGSM-LGCD180WE:200W; ZGSM-LGCD210WE:220W.						
Protection Class: I Degree of protection: IP65							
Tested according to: EN 60598-2-1:1989 EN 60598-1/A1:2009 EN 62471:2008							
This Attestation of Conformity is issued on a voluntary basis according to the Low Voltage Directive 2006/95/EC relating to electrical equipment designed for use within certain voltage limits. It confirms that the listed equipment complies with the principal protection requirements of the directive. It refers only to the particular sample submitted for testing and certification. See also notes overleaf.							
Test report no.: 704021183002-00							
 (Binwen Zhang)							
							
Date, 2011-09-16							
 After preparation of the necessary technical documentation as well as the EC conformity declaration the required CE marking can be affixed on the product. Other relevant directives have to be observed.							
Page 1 of 1							
TÜV SÜD Product Service GmbH - Zertifizierstelle - Ridlerstraße 65 - 80339 München - Germany 							

CE-LVD

The product (LED lighting equipment, electrical , electronic equipment) should not be placed in municipal waste.
 Check local regulations for disposal of electronic products.

- Features and specifications are subject to change without notice.
- The product color may be different with actual due to discrepancy of camera or screen settings.
- ZGSM () is a trademark of ZGSM Tech. All other trademarks are trademarks of their respective owners.

