


Accelerometer Family

Main Accelerometer products

Model NO.	Characteristics	Application	Outline drawing	Datasheet
QA-6000 series QA-6010 QA-6020 QA-6030 QA-6050 QA-6080	High accuracy inertial navigation grade products (OPTIONAL:Installation dimension;Sealing method;Temperature sensor)	Strategic Missile Tactical Missile Rocket Spacecraft		
QA-4200 series QA-4220 QA-4250 QA-4299	Miniature inertial navigation grade products(Weight<30g)	Tactical Missile Spacecraft UAV		
QA-1000	Reinforcement type products(Shock 1000g)	Down hole rocket projectile		
QA-5100 series QA-5107 QA-5108	High resolution products(Resolution: 5x10 ⁻⁷ g-5x10 ⁻⁸ g)	Gravimeter Gradiometer The space microgravity		
SZH series Generic triax OMC triax	Accelerometer integrated application products	SIMU Gravity measurement		

Optional



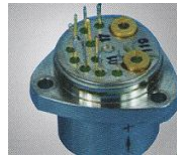
External sealing ring

we use the same material(stainless steel) as the shell , encapsulated epoxy adhesive.it can enhance the existing accelerometer product sealing performance.The leakage rate less than 5x10⁻¹⁰ pam³/s

Full sealed servo circuit

adopted Full sealed servo circuit and laser welding technology.Welding connections

between the servo circuit and meter, make it sealed.The leakage rate less than 1×10^{-10} pam³/s

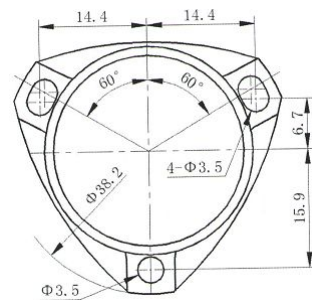


Built-in temperature testing resistance

the precision temperature measurement platinum resistance is built in the meter, Accurately detecting the temperature of the meter inside core.Convenient for temperature compensation.with the insulators leading outside,to ensure insulation and sealing performance

Different installation methods

Triangle



Square

