

1 2 3 4 5 6

Electrical:

- 1.Voltage Rating:125 Vac Rms.
- 2.Current Rating:1.5 Amp.
- 3.Contact Resistance:40 Milliohms Max.
- 4.Insulation Resistance:1000 Megohms Min @500 Vdc.
- 5.Dielectric Strength:1000 Vac Rms 60Hz, 1Min.

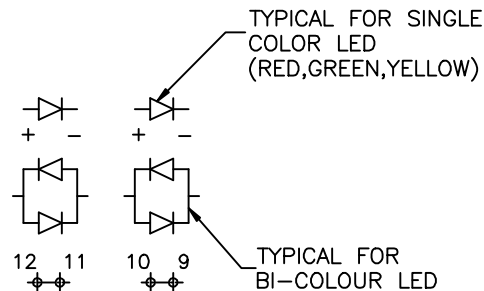
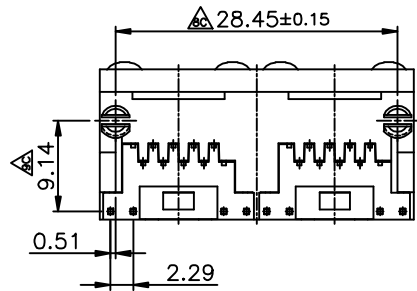
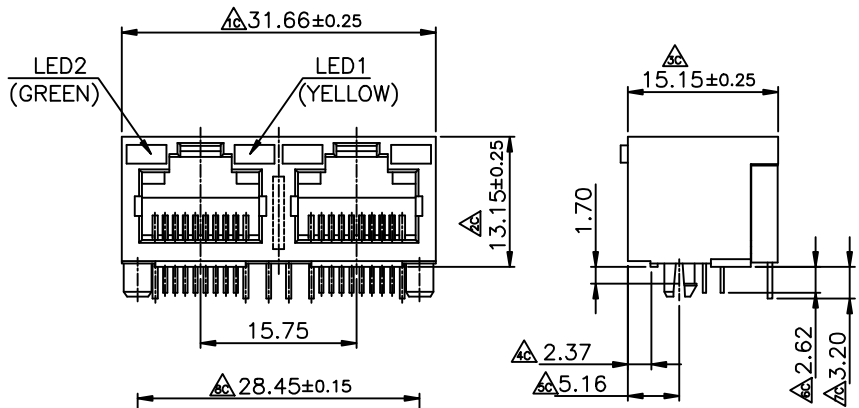
Mechanical:

- 1.Operating:750 Cycles Min.

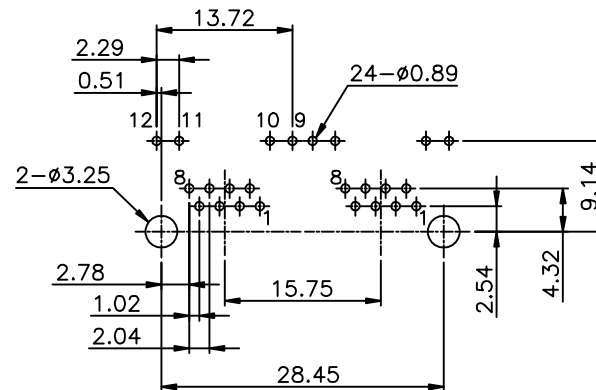
Environmental:

- 1.Storage:-40°C To +85°C.
- 2.Operation:-20°C To +75°C.

Mates With Modular Plug Conforming To FCC Part 68, Subpart F.



LED SCHEMATIC



P.C.B LAYOUT/TOP VIEW

MATERIALS:

PLASTIC HOUSING: ENGINEERING THERMOPLASTIC

CONTACTS: PHOSPHOR BRONZE

PLATING: GOLD PLATING OVER NICKEL IN CONTACT.

TIN PLATING OVER NICKEL IN SOLDER AREA.

J-GON

UNIT: mm SCALE: 2/1 SHEET: 1 of 1 TITLE:

DRAWN BY: Alan APPROVED BY: Alan
101222 101222

J099 2PORTS 8P8C JACK W/LED(G-Y)

General tolerance
XXX ±0.10
.XX ±0.25
X ±0.38
X ±0.50
ANG ±3°

DRAW NO: J099XXXXXX

REV: A

REV DESCRIPTION DATE

1 2 3 4 5 6