

1

2

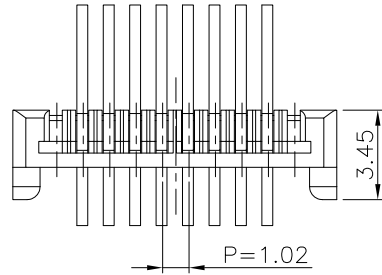
3

4

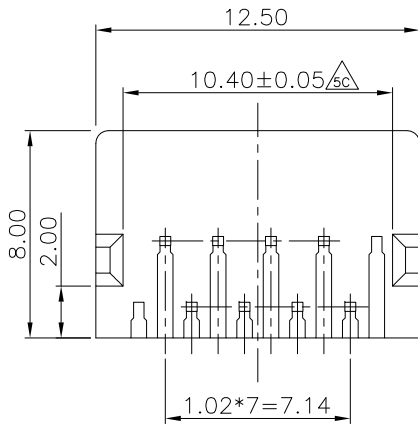
5

6

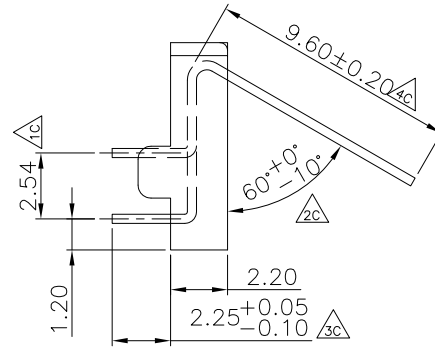
A



B



C



D

Materials:

Base: Engineering Thermoplastic
 Flammability Rating UL 94V-0.
 Contacts: Thickness Phosphor Bronze
 Plating: Gold Plating Over Nickel In Contact.

6u" AJ02002510
 15u" AJ02002520
 30u" AJ02002530
 50u" AJ02002540

J-CON

UNIT: mm | SCALE: 5/1 | SHEET: 1 of 1

DRAWN BY: Alan | APPROVED BY: Alan
 110627 | 110627

General Tolerance

.XXX ±0.10
 .XX ±0.25
 .X ±0.38
 X ±0.50
 ANG ±3°

TITLE: J020-方柱脚成型基座

DRAW NO: AJ02002510

REV. A

REV	DESCRIPTION	DATE

1

2

3

4

5

6

A

B

C

D