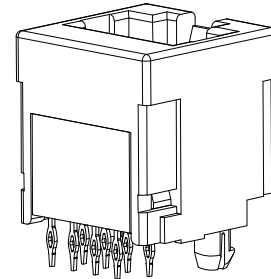
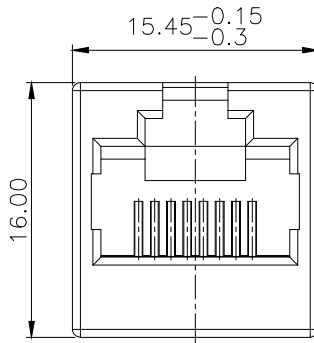


1 2 3 4 5 6

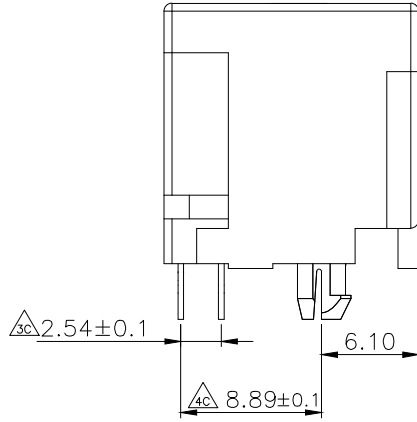
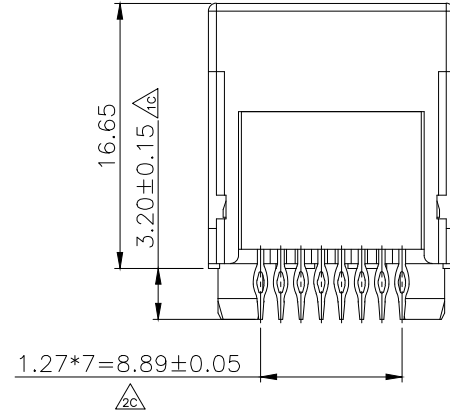
A



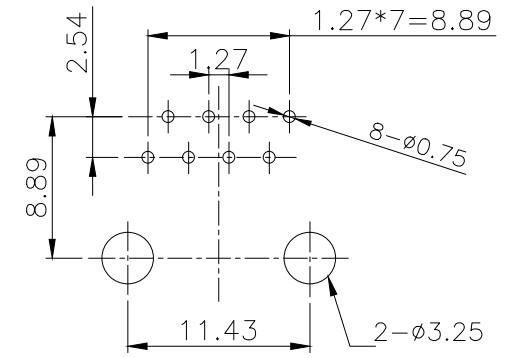
Electrical:
 1.Voltage Rating:125 Vac Rms.
 2.Current Rating:1.5 Amp.
 3.Contact Resistance:40 Milliohms Max.
 4.Insulation Resistance:1000 Megohms Min @500 Vdc.
 5.Dielectric Strength:1000 Vac Rms 60Hz, 1Min.
Mechanical:
 1.Operating:750 Cycles Min.
Environmental:
 1.Storage:-40°C To +85°C.
 2.Opertion:-20°C To +75°C.
 Mates With Modular Plug Conforming
 To FCC Part 68, Subpart F.

A

B

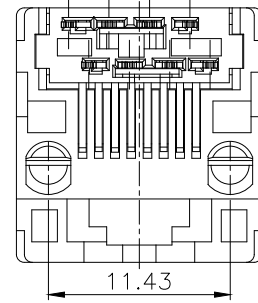


PCB LAYOUT/TOP VIEW



B

C



C

D

Materials:
 Plastic Housing: Engineering Thermoplastic
 Flammability Rating UL 94V-0.
 Contacts: Thickness Phosphor Bronze
 Plating: Gold Plating Over Nickel In Contact.

- 6u" P/N J259020051-5E
- 15u" P/N J259020052-5E
- 30u" P/N J259020053-5E
- 50u" P/N J259020054-5E



UNIT	SCALE	SHEET	TITLE :
mm	3/1	1 of 1	Top Entry PCB Jack
DRAWN BY	APPROVED BY	DRAW NO :	
Alan	Alan	J259-0904	
General Tolerance		REV.	
.xxx ±0.10	⊕		A
.xx ±0.25			
.x ±0.38			
x ±0.50			
ANG ±3°			

REV	DESCRIPTION	DATE

1 2 3 4 5 6

D