

1 2 3 4 5 6

A

B

C

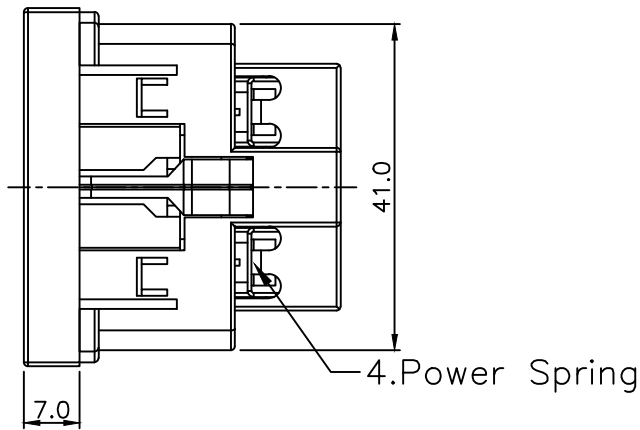
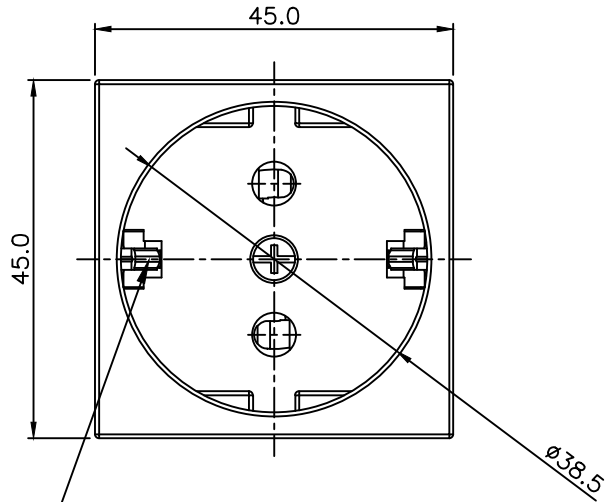
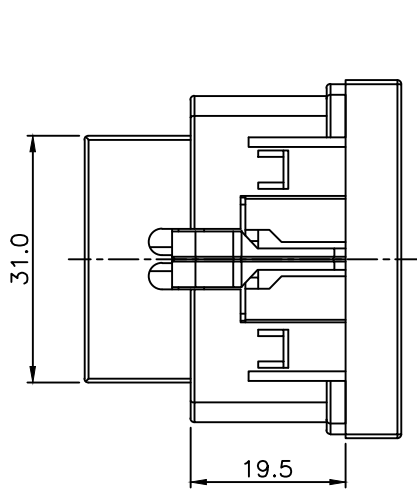
D

A

B

C

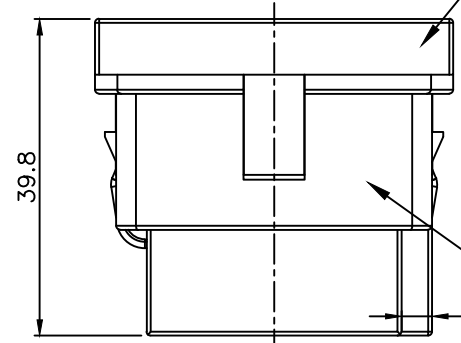
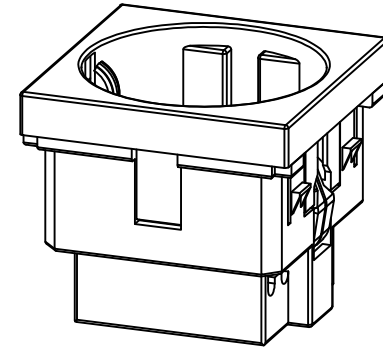
D



1. Ground Spring

2. Cover

3. Housing



白色: J901110101  
 紅色: J901210101

**MATERIALS:**  
 PLASTIC HOUSING: ENGINEERING THERMOPLASTIC  
 FLAMMABILITY RATING UL 94V-0.  
 SPRINGS: PHOSPHOR BRONZE  
 GROUND SPRING PLATING: TIN PLATING OVER NICKEL IN SOLDER AREA.

			<b>J-CON</b>		
UNIT		SCALE	SHEET	TITLE :	
mm		1.5/1	1 of 1	Power Supply Jack	
DRAWN BY		APPROVED BY		DRAW NO : J901110101	
Alan 121201		Alan 121201			
General Tolerance					
xxx	±0.10				
xx	±0.25				
x	±0.50				
ANG	±3°		REV. A		
REV	DESCRIPTION	DATE			

1 2 3 4 5 6