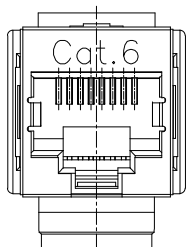
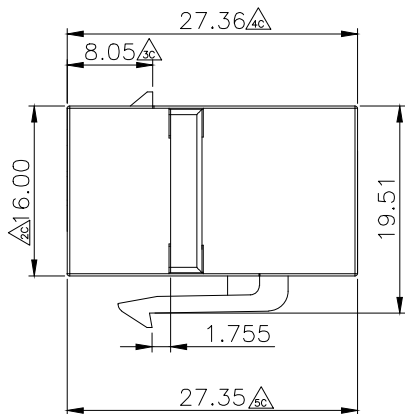
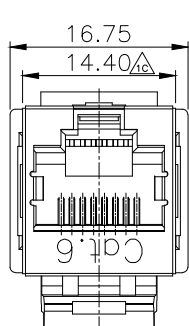


1 2 3 4 5 6

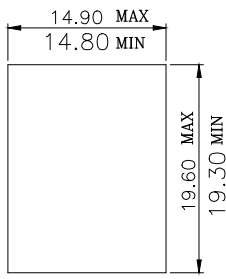
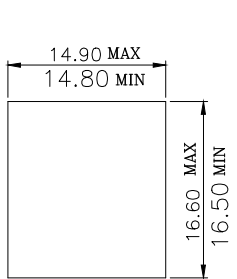
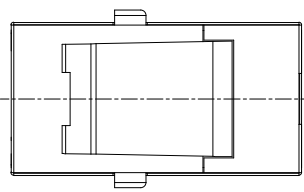
A



Electrical:
 1.Voltage Rating:125 Vac Rms.
 2.Current Rating:1.5 Amp.
 3.Contact Resistance:60 Milliohms Max.
 4.Insulation Resistance:1000 Megohms Min @500 Vdc.
 5.Dielectric Strength:1000 Vac Rms 60Hz, 1Min.
Mechanical:
 1.Operating:750 Cycles Min.
Environmental:
 1.Storage:-40°C To +85°C.
 2.Opertion:-20°C To +75°C.
 Mates With Modular Plug Conforming
 To FCC Part 68, Subpart F.

B

C



Front Panel Jack Only Clearance
W/O Latch Feature

Single Panel-Latch Clearance
Panel Thickness 1.60mm

D

Materials:
 Shielded: Stainless Steel.
 Plastic Housing: Engineering Thermoplastic
 Flammability Rating UL 94V-0.
 Contacts: Thickness Phosphor Bronze
 Plating: Gold Plating Over Nickel In Contact.

J-CON

UNIT	SCALE	SHEET	TITLE :
mm	2/1	1 of 1	MODULAR COUPLER JACK (8P8C SHIELDED)C. 6
DRAWN BY	APPROVED BY	DRAW NO :	
Alan	Alan	J201-131029	
General Tolerance		REV.	
.xxx	±0.10	A	
.xx	±0.25		
.x	±0.38		
∅	±0.50		
ANG	±3°		

1 2 3 4 5 6

A

B

C

D