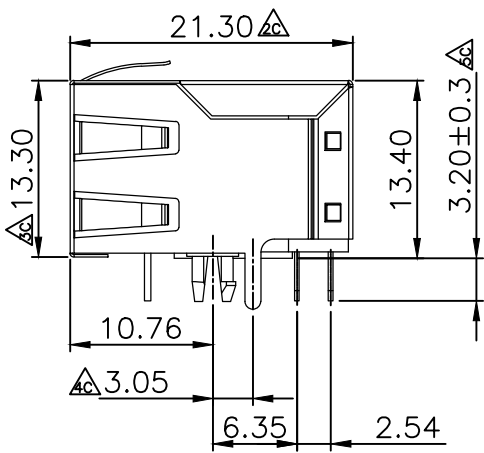
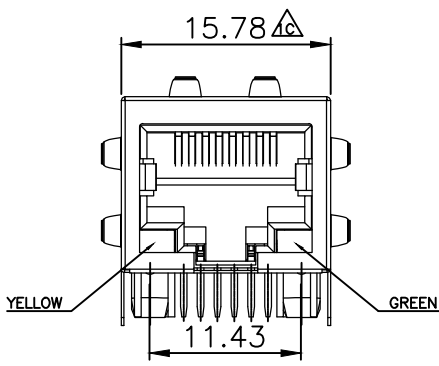
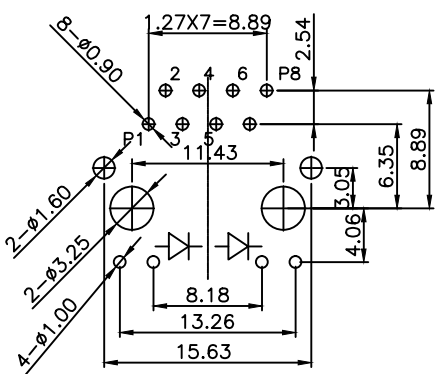
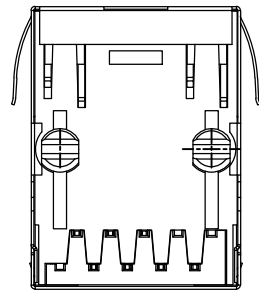


1 2 3 4 5 6

A

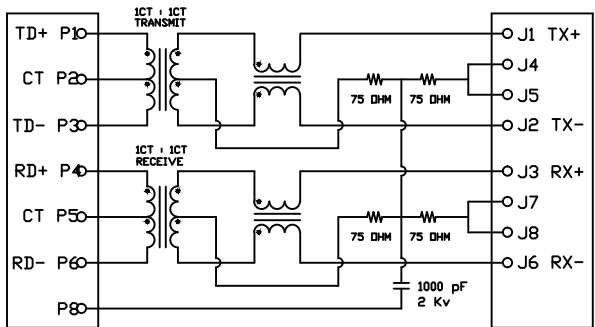


B



PCB LAYOUT

**MATERIALS:**  
 PLASTIC HOUSING: HIGH TEMP THERMOPLASTIC  
 FLAMMABILITY RATING UL 94V-0.  
 CONTACTS: PHOSPHOR BRONZE  
 PLATING: GOLD PLATING OVER NICKEL IN CONTACT.  
 TIN PLATING OVER NICKEL IN SOLDER AREA.  
 SHIELD: BRASS PLATING NICKEL ALLOY.



JC-10

**Electrical:**  
 1.Voltage Rating:125 Vac Rms.  
 2.Current Rating:1.5 Amp.  
 3.Contact Resistance:40 Milliohms Max.  
 4.Insulation Resistance:1000 Megohms Min @500 Vdc.  
 5.Dielectric Strength:1000 Vac Rms 60Hz, 1Min.

**Mechanical:**  
 1.Operating:750 Cycles Min.  
**Environmental:**  
 1.Storage:-40°C To +85°C.  
 2.Operation:-20°C To +75°C.

Mates With Modular Plug Conforming To FCC Part 68, Subpart F.



UNIT	SCALE	SHEET	TITLE :
mm	2/1	1 of 1	
DRAWN BY	APPROVED BY		
Alan	Alan		
121109	121109	10/100Base-T JACK	
General tolerance			
xxx	±0.10		
xx	±0.25		
x	±0.38		
x	±0.50		
ANG	±3°		

REV	DESCRIPTION	DATE

DRAW NO : J007-10-141003

REV. A

1 2 3 4 5 6

A

B

C

D