

120

DC blower Series x120x32mm

UL us CE RoHS

Optional Features



GENERAL SPECIFICATIONS

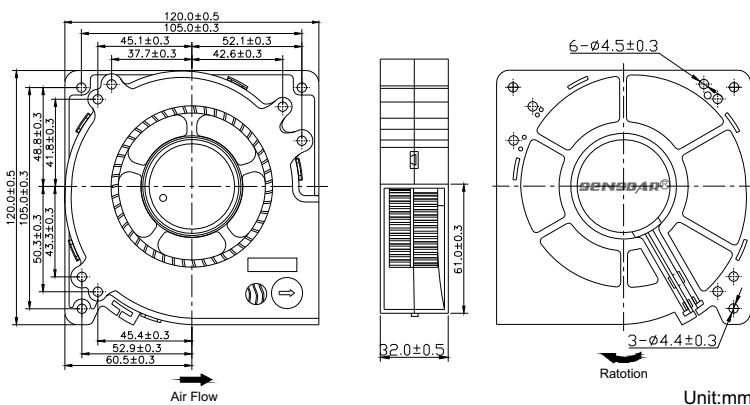
Bearing Type: Sleeve Bearing & Ball Bearing
 Material: Impeller & Frame: Plastic (UL94V-0)
 Lead Wire: UL Type
 Operation Temperature: -10°C-70°C, 35%-85%RH
 Storage Temperature: -40°C-80°C, 35%-85%RH



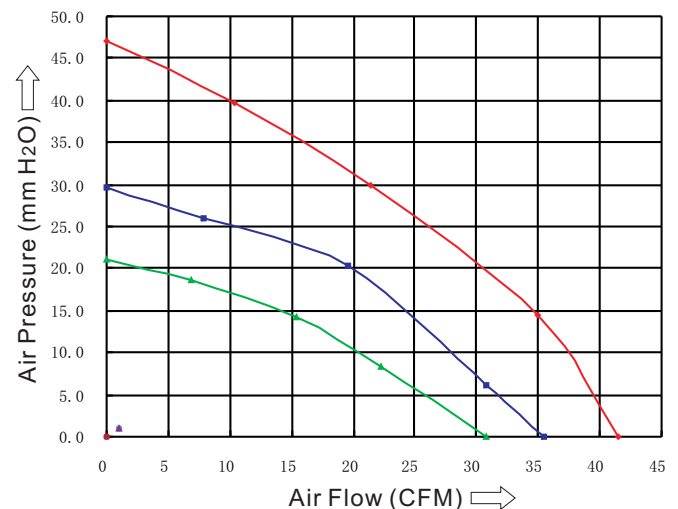
SPECIFICATIONS

Model	Bearing System		Rated Voltage	Operation Voltage	Rated Current	Rated Speed	Air Flow	Air Pressure	Noise Level	Weight
	Ball	Sleeve	VDC	VDC	A	RPM	CFM	mmH ₂ O	dBA	g
SB1232H1X	●	●	12.0	7.0-13.8	1.80	3500	41.5	47.0	57	250
SB1232M1X	●	●			1.30	3000	35.4	29.7	51	
SB1232L1X	●	●			1.00	2500	30.8	21.1	45	
SB1232H2X	●	●	24.0	14.0-27.6	0.80	3500	41.5	47.0	57	
SB1232M2X	●	●			0.35	3000	35.4	29.7	51	
SB1232L2X	●	●			0.28	2500	30.8	21.1	45	
SB1232H4X	●	●	48.0	24-55.2	0.30	3500	41.5	47.0	57	
SB1232M4X	●	●			0.20	3000	35.4	29.7	51	
SB1232L4X	●	●			0.12	2500	30.8	21.1	45	

DIMENSIONS DRAWING



P&Q CURVE (AT RATED VOLTAGE)



Note:

- *All readings are typical values at rated voltage.
- *Specifications are subject to change without prior notice.
- *"X" in model list can be B, S, and C, meaning Dual Ball Bearing, Sleeve Bearing and 1 Ball 1 Sleeve Bearing