

**OPzV Series SLA Battery**

**Opzv Series**

Bosfa Opzv Series Valve Regulated Lead Acid batteries are designed with a proven combination of GEL and Tubular technologies to offer a very high lever of reliability. Opzv batteries benefit from an optimized plate design which gives capacities in excess of the DIN standard values. In addition, this series offers both a longest float life and a high cycle life in widely industrial field.

**Application**

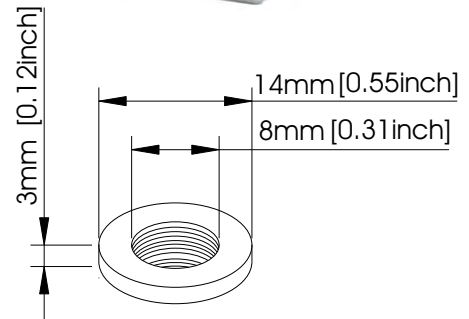
- |                    |                           |
|--------------------|---------------------------|
| Telecommunications | Medical Equipment         |
| Cable Television   | UPS                       |
| Electric Utility   | Railroad Utility          |
| Control Equipment  | Photovoltaic System       |
| Security System    | Alternative Energy System |

**General Features**

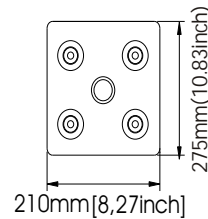
- Sealed and maintenance free operation.
- Non-Spillable construction design.
- ABS containers and covers(UL94HB, UL94V-0) optional.
- Safety valve installation for explosion proof.
- High quality and high reliability.
- Super long service life.
- Lowest self discharge characteristic.
- Super reliability.

**Construction**

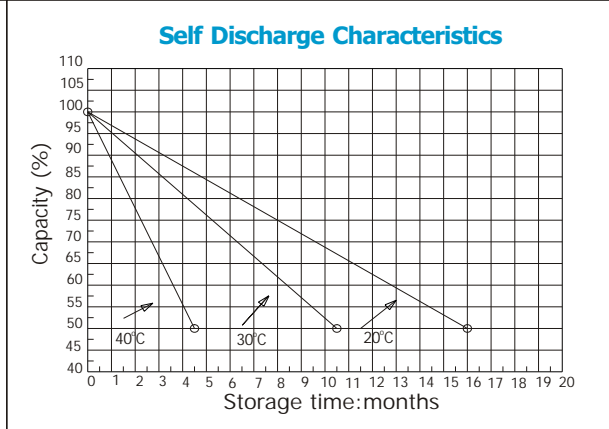
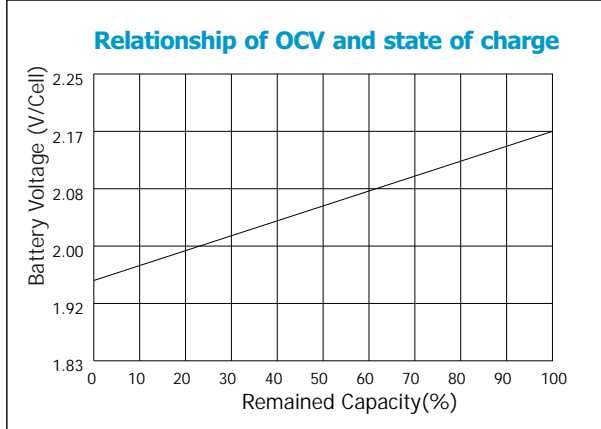
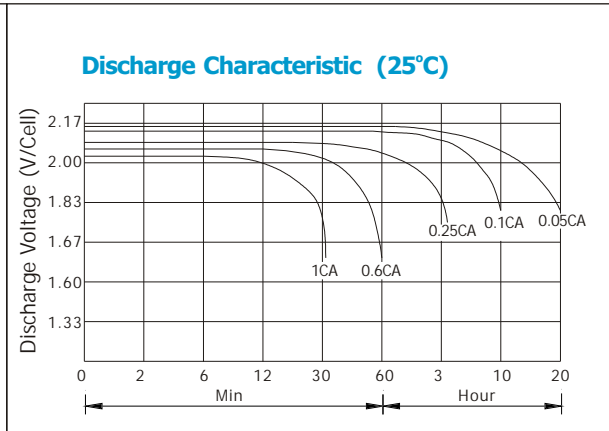
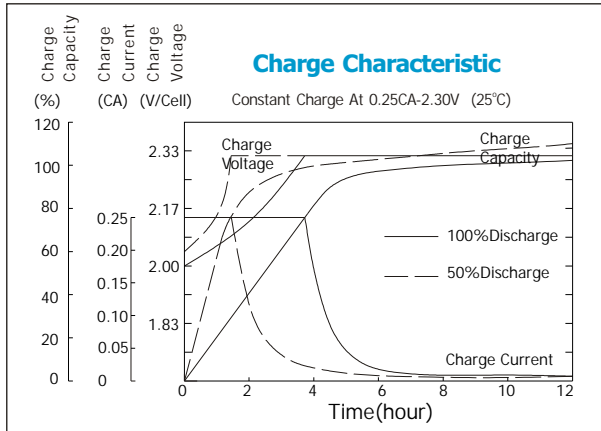
- |           |                   |              |                                       |
|-----------|-------------------|--------------|---------------------------------------|
| Component | .....Raw material | Sealant      | .....Epoxy Resin                      |
| Positive  | .....Lead dioxide | Safety valve | .....EPDR                             |
| Negative  | .....Lead         | Terminal     | .....Copper                           |
| Container | .....ABS          | Separator    | .....PVC-SiO <sub>2</sub>             |
| Cover     | .....ABS          | Electrolyte  | .....Sulfuric acid<br>Thixotropic Gel |



**Terminal Dimensions**



Battery Model	OPzV 2-1200			
Designed Floating Life	15 Years			
Capacity(25°C)	20HR(62.4A,1.75V)	10HR(120A,1.75V)	5HR(1020A,1.75V)	1HR(744A,1.75V)
	1248AH	1200AH	1020AH	744AH
Dimensions	Length	Width	Height	Total Height
	275mm(10.83inch)	210mm(8.27inch)	645mm(25.39inch)	671mm(26.42inch)
Approx. Weight	97Kg (213.89 lbs)			
Internal Resistance	Full charged at 25°C: 0.00055 Ohm			
Self Discharge	3% of capacity declined per month at (25°C)			
Capacity Affected by Temp.(20HR)	40°C	25°C	0°C	-15°C
	102%	100%	85%	65%
Charge Voltage(25°C)	Cycle use		Float use	
	2.3V-2.35V(-5mV/ °C), max. Current: 240A		2.25-2.27V(-3.3mV/ °C)	



**Constant current discharge ratings-amperes at 25°C**

F.V/Time	15MIN	30MIN	1HR	2HR	3HR	5HR	8HR	10HR	20HR
1.70V	1272	1032	703	429	318	213	147	122	68.8
1.75V	1128	936	672	417	312	211	146	121	68.3
1.80V	984	840	624	399	300	208	144	120	68.0
1.83V	888	756	576	384	292	203	141	117	67.6
1.87V	720	660	516	354	274	195	134	112	67.5
1.90V	624	588	468	330	258	185	129	107	64.9

**Constant power discharge ratings-watts at 25°C**

F.V/Time	15MIN	30MIN	1HR	2HR	3HR	5HR	8HR	10HR	20HR
1.70V	2193	1787	1275	814	640	438	290	234	132
1.75V	2018	1712	1328	793	623	433	284	234	131
1.80V	1788	1607	1169	770	603	424	282	233	130
1.83V	1645	1378	1077	735	596	405	268	225	130
1.87V	1555	1304	1045	730	583	399	262	220	129
1.90V	1294	1199	952	705	540	386	251	210	128

