

■ Product Features



- Philips Lumileds LED, high luminous efficiency and long life.
- MeanWell High efficiency LED Driver, the wide range input voltage AC100-277V;
- Fins cooling design, better cooling, light quality, LED $T_j < 85^{\circ}\text{C}$.
- Excellent optical design, greatly improve the light utilization and evenness.
- Dimmable Control gear, Energy-saving, convenient and user-friendly



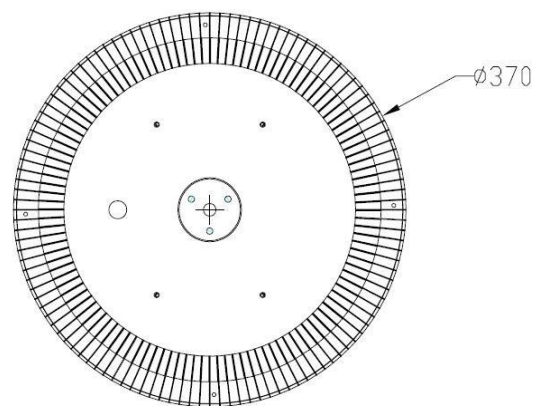
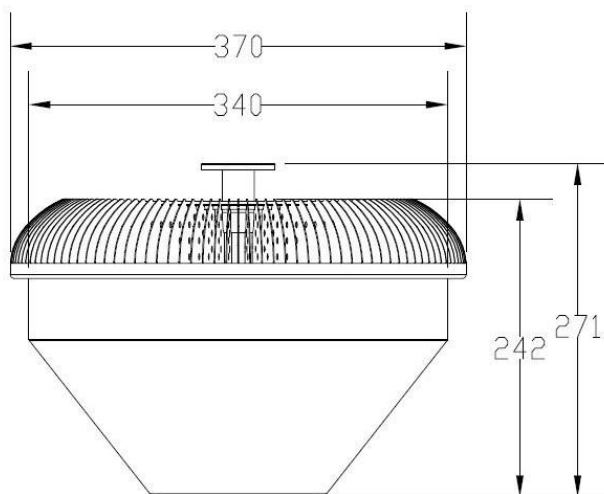
■ Product Applications

UL LED LowBay Light series can be widely used in indoor or half outdoor lighting, like Indoor parking, mechanical or electronic processing workshops, storage warehouses, steel mills, gas stations, toll booth, waiting rooms, the platforms of railway station etc

■ Structure Features

- **Shell materials:** 1070 Aluminum & PC
- **Color:** Black or White
- **Net weight:** 3.0Kg

Unit: mm

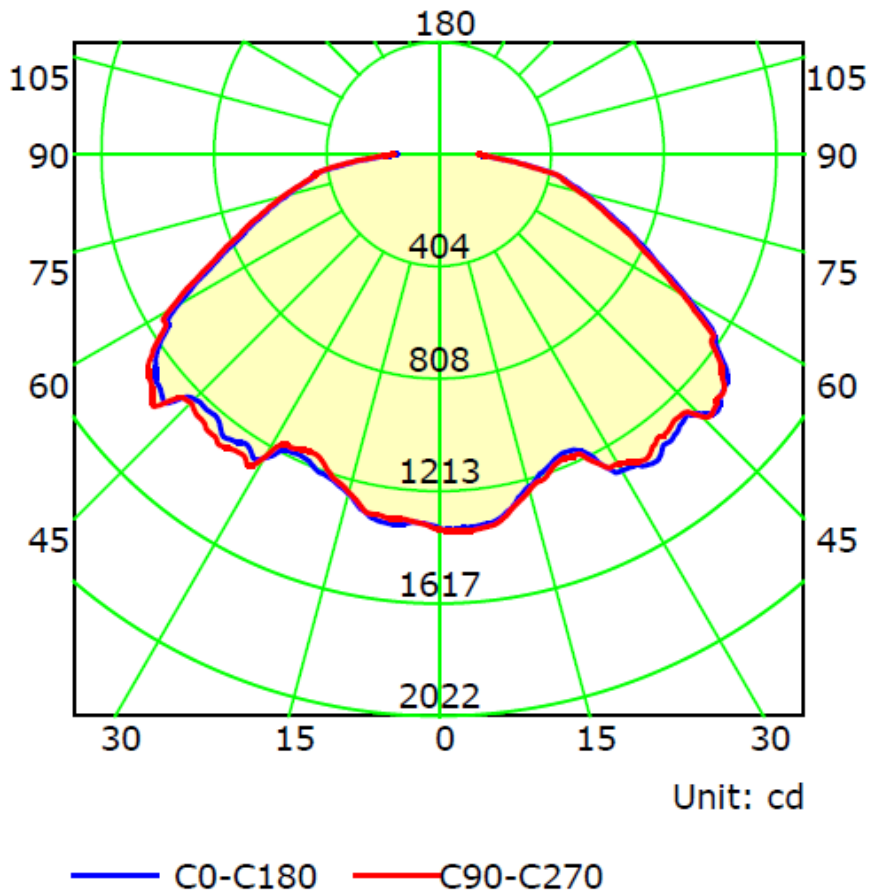


■ Technical Parameter

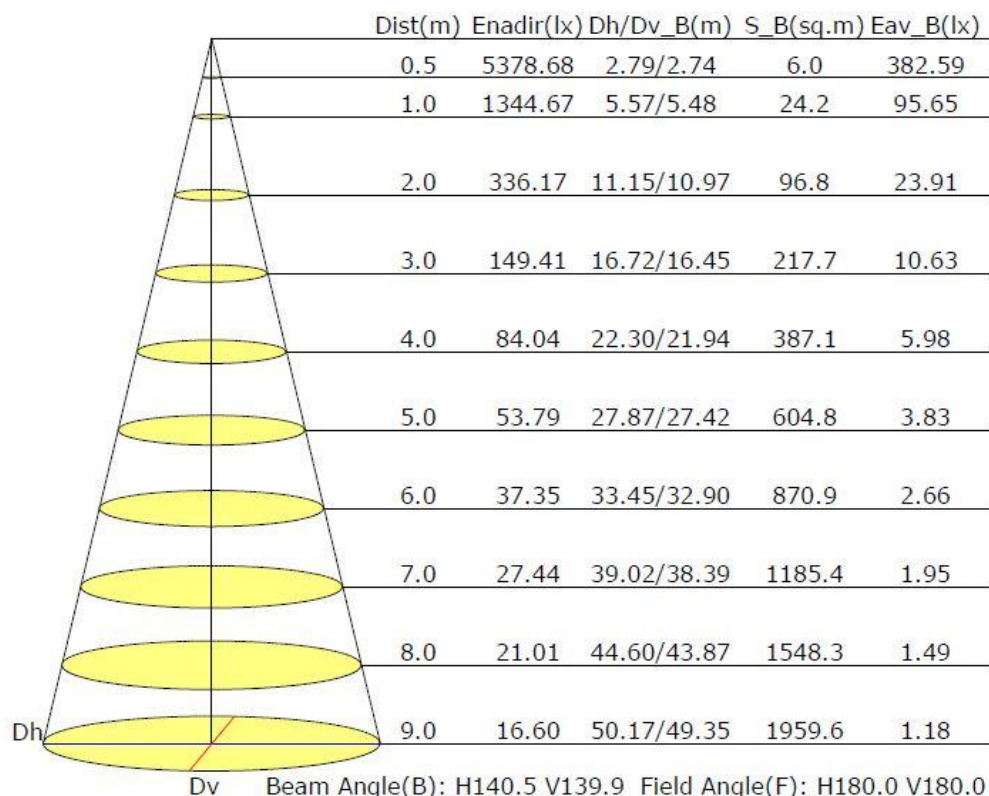
Type	UL-LB06W27-xxK		
Power	60W	Lighting Angle	160°
Input Voltage	AC100-277V	LED Brightness Decay	<5%/6000 hrs
PF	>0.95	Working Life	>50000 hrs
Driver Efficiency	>90%	Working Temperature	-30 - +40°C
Luminous Flux	5100Lm	Storage Temperature	-40 -+80°C
Color Temperature	3000K/4000k/5000K/6500k	Protection Level	Damp Location/IP54
CRI	Ra>75	Cable	3 core, 18AWG

■ Photometry

Luminous Intensity Distribution Curve



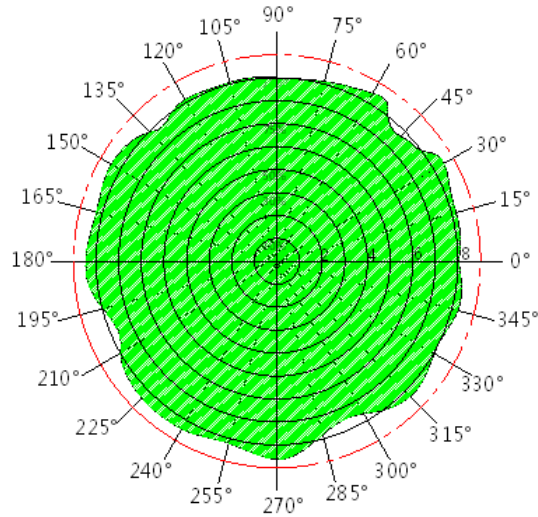
■ Illuminance at a Distance:



■ Technical Parameter(Dimmable Control Gear)

Type	UL-LB06W27-xxK-D		
Power	60W	Lighting Angle	160°
Input Voltage	AC100-277V	LED Brightness Decay	<5%/6000 hrs
PF	>0.95	Working Life	>50000 hrs
Driver Efficiency	>90%	Working Temperature	-30 - +40°C
Luminous Flux	5100Lm	Storage Temperature	-40 -+80°C
Color Temperature	3000K/4000k/5000K/6500k	Protection Level	Damp Location/IP54
CRI	Ra>75	Cable	3 core, 18AWG(1.5m)
Control Gear Power	0.5/1W	Nominal Load	1000W
Installation Height	12m(MAX)	Induction distance	0.5-8m
Induction angle	≤170°	Time-delay	10s~30min

■ Microwave radiation



■ Dimmable Control Instructions



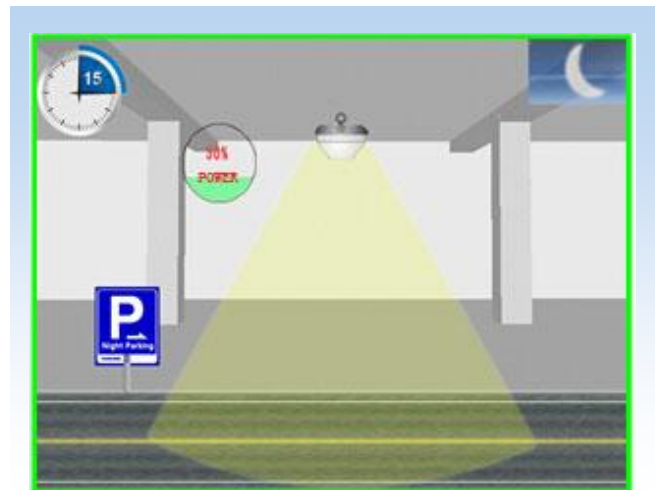
Model 1: Lights brightness keeps to be 30% (adjustable) when there is nobody



Model 2: When people enter the sensing area, all lights will turn on (100%)



Model 3 : Whole brightness will continue for a while after people leave



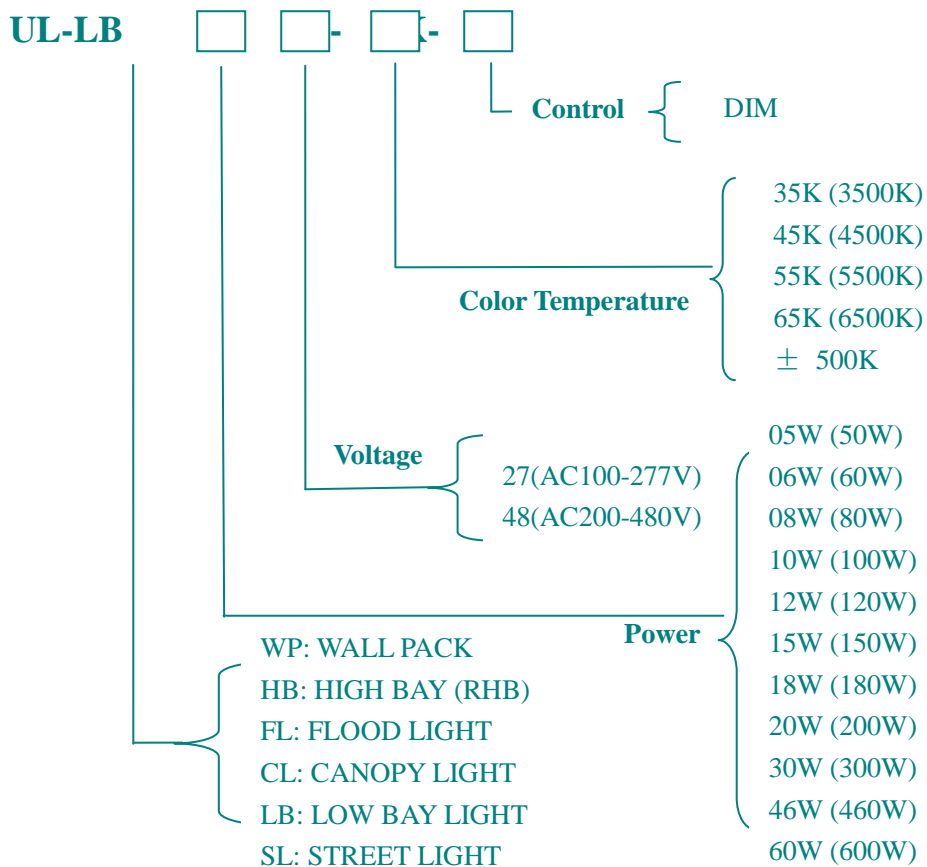
Mode 4:After a period people left(the period can be set), lighting brightness recover to 30%

■ Product packaging

Package Size: L410mm × W410mm × H320mm 1 PCS



● Product Identification



■ Product Certifications



■ Contact Us

Universe Light Co.,Ltd

Email: admin@ulight-usa.com

Tel: +86 755 2974 4280

Website: www.ulight-USA.com

Skype:uight-grace03

Fax: +86 755 2974 4280

Add:Room312,BuildingD,ZhiHuiChuangXinCentre,QianJin2Road,BaoAnDistrict,ShenZhen,
GuangDong, China, 518126.