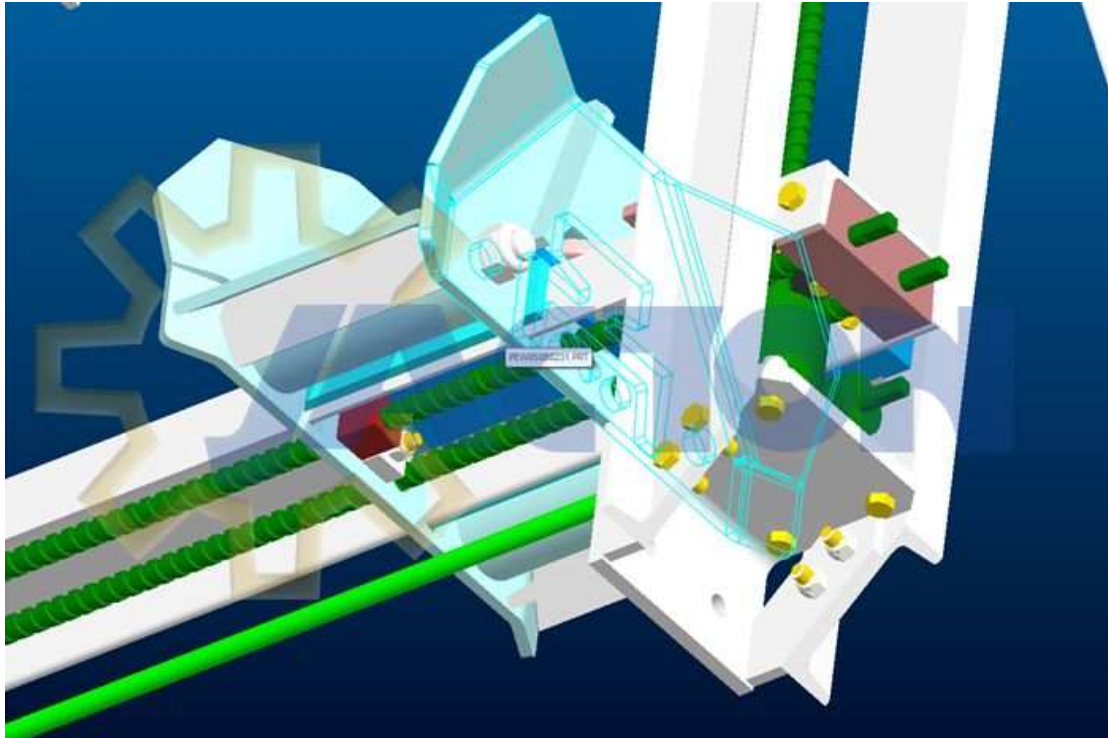


Hand Operated Upright Rotating Machine Screw Actuator 5Ton And 2963MM Long
Acme Screw And Acme Nut For Conveying Rails In Rail Train In South Africa



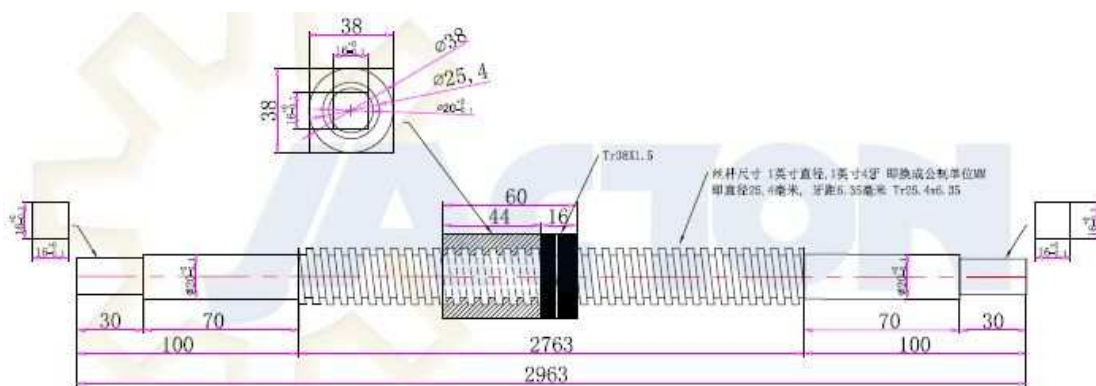
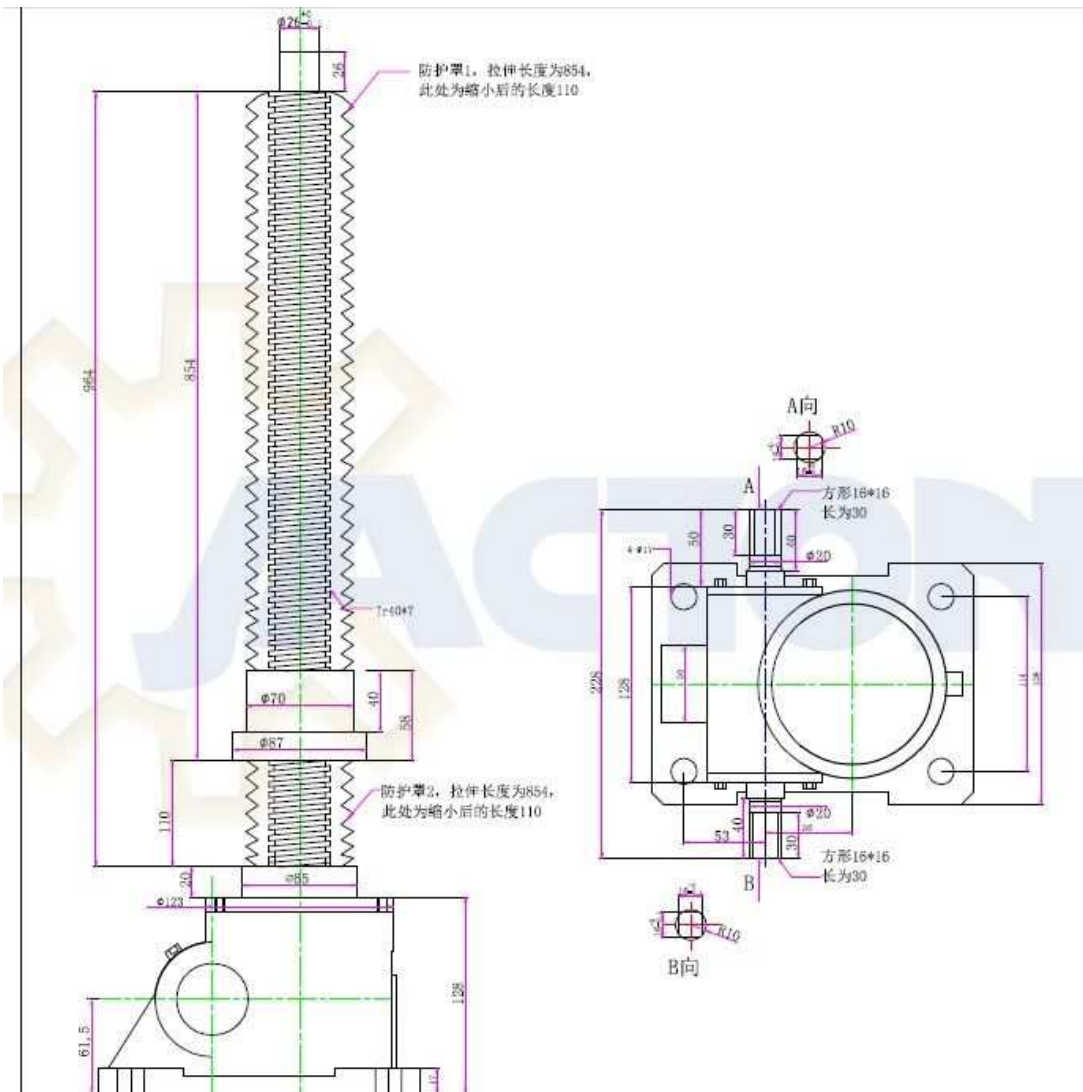
1. Upright Rotating Machine Screw Actuator 5ton fitted on base with special dimensions bronze travelling nut.
2. 2963mm long shaft with 2763 mm ACME thread Part of end not threaded at both ends will require diameter 19. Thrust bearings at both ends of horizontal screw. Both items require similar ends (16x16mm square x 30 mm long)
3. Machine Screw Actuator Load Capacity in general = 5000kg maximum
4. Traveling speed is by hand, however maximum travel per turn possible will be important.
5. The equipment is used on a rail train that conveys 48 of 60kg/m rails of 240 meters long. Offloading takes place two rails at a time. 48 Rails can be offloaded in one day. Offloading of 48 rails can happen up to about four times per week and continue almost whole year long.
6. Working conditions it typically South African which can be a combination of most of the following conditions at a time: Outdoor, Dusty, Humid, Seashore/Offshore and Dry. Need double UV resistant bellows boots for lifting screws.
7. The maximum outside diameter of hand wheel should not exceed 140mm. Please note that the same hand wheel will be used to turn the Actuator as well as the Horizontal screw.
8. The Horizontal Screws will be required to be operated from both ends.
9. The Actuators will be linked with a rod of total length 2470 with 16x16 squares at both ends(For this rod no quote is required). This means that two Actuators work together and will be operated from any side of rail wagon.

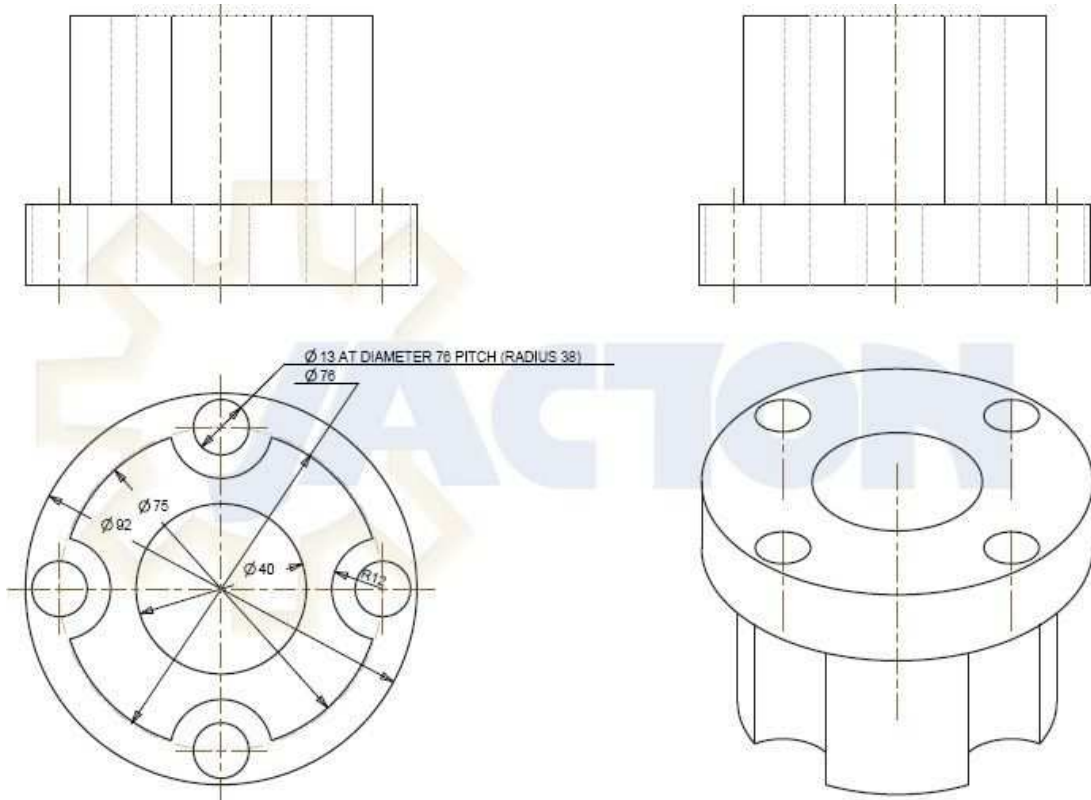
Solutions

8 pieces acme screw, 8 pieces square bronze travelling nut, 2 sets acme screw nut taper tools. Acme screw materials S45C, bronze 9-4 nut. 8 pieces upright rotating machine screw actuators, 8 pieces cast Jacton Electromechanical Co.,Ltd | Tel: +86 769 81585852 | Fax: +86 769 81620195

Email: sales@screw-jack.com | Web: www.screw-jack.com | Skype: [jactonjack](https://www.skype.com/jactonjack)

iron hand wheel diam. 125 mm, 16 pieces UV resistant bellows boots. Model:
JTW-5T-UR-964-H-IV-C-HW/2BB, Lifting screw S45C, bronze 9-4 travelling nut, high frequency
processing square worm shaft S45C, NAK sealing, synthetic grease etc.









Other Products Includes: JT Acme Screw Jack, JTC Cubic Screw Jack, JTW Worm Screw Jack, JTM Machine Screw Jack, JTB Ball Screw Jack, JTS Bevel Gear Jack, JT Series T Type Spiral Bevel Gear Boxes, JTP Series Cubic Spiral Bevel Gear Boxes, JTV Series Cubic Spiral Bevel Gear Boxes, JTA Series Lightweight Aluminum Spiral Bevel Gear Boxes, Multiple Screw Jack System Arrangements, Cast Iron Hand Wheel, Aluminum Hand Crank, Flexible Jaw Coupling, Electric Motor, Worm Gear Speed Reducer, Geared Motor, Digital Position Indicator, Pillow Block Bearing, Ball Joint Rod End Bearing, Bellows Boot, Linking Bar, Limit Switches, Swivel Mounting Plate, Pivoting Mounting Base, Planetary Speed Reducer, Hydraulic Cylinder Rod End Bearing, Frequency Inverter, 24V DC Motor, 12V DC Motor, 36V DC Motor, 48V DC Motor, 24V DC Motor Gear Reducer, 12V DC Motor Gear Reduction, 36V DC Gear Motor, 48V DC Gear Reduction Motor etc.

