

DC 24V Geared Motor Screw Jack Actuator Hoisting Water Gates In Agricultural Industry In Malaysia

DC 24V Geared Motor driven actuator (screw jack) for water gate up/down movement, water gate length 7ft, width 53 Inches, weight 1.5 Tons. Stroke length 7 feet. DC 24V operated.

10T LOAD CAPACITY SCREW JACK ACTUATOR

Model: JTW-10T-IS-2500-L-II-C-PP/BB/LS

- * Max. 10 ton load, lifting screw Tr58x12
- * Inverted, translating screw, 7 ft stroke(2500mm deduct bellows retract length)
- * Low worm gear ratio, 1/24, 0.5mm stroke per revolution of worms, double worms input
- * Accessories include protective tube, bellows boots, limit switches, clevis end.

24V DC MOTOR WITH GEAR REDUCER

Model: 130ZYT105PX4A1

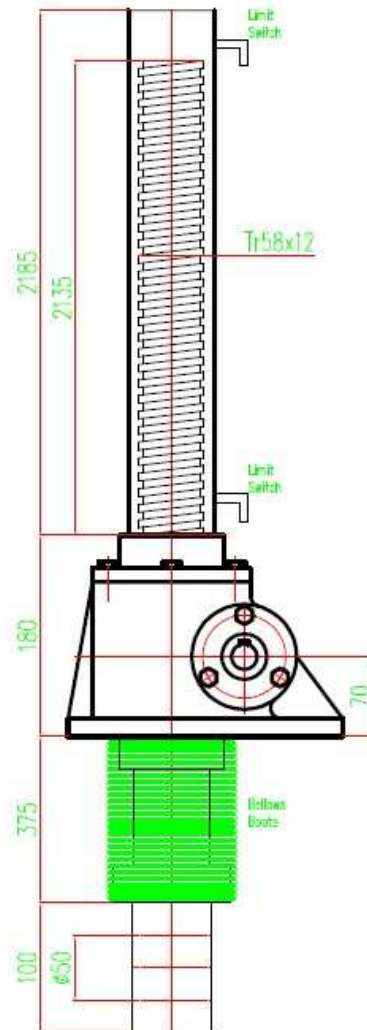
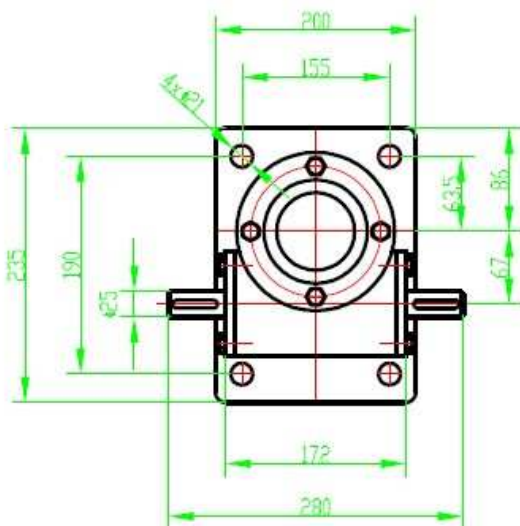
- * 1Kw 3000rpm input dc motor
- * Gear reducer with 1/4 reduction ratio

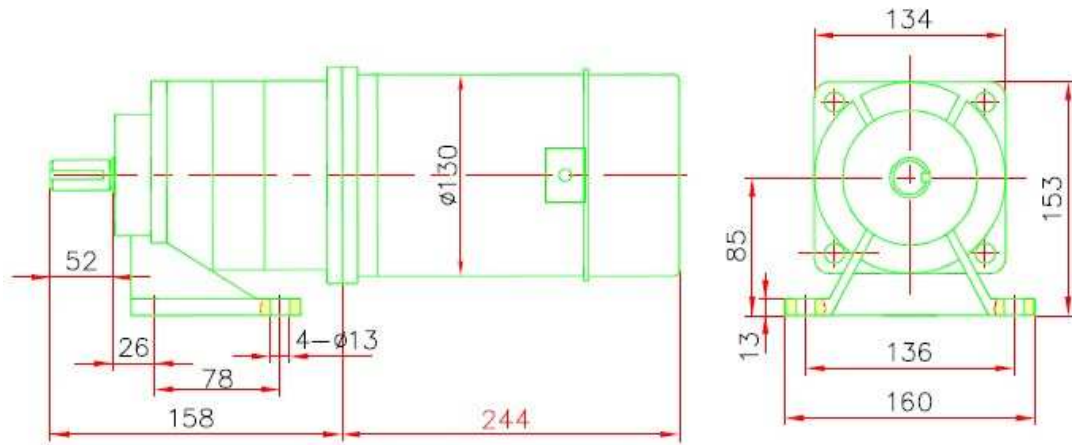




INVERTED WORM GEAR SCREW JACK

JTW-10T-IS-2500-L-II-C-PP/BB/LS





Other Products Includes: JT Acme Screw Jack, JTC Cubic Screw Jack, JTW Worm Screw Jack, JTM Machine Screw Jack, JTB Ball Screw Jack, JTS Bevel Gear Jack, JT Series T Type Spiral Bevel Gear Boxes, JTP Series Cubic Spiral Bevel Gear Boxes, JTV Series Cubic Spiral Bevel Gear Boxes, JTA Series Lightweight Aluminum Spiral Bevel Gear Boxes, Multiple Screw Jack System Arrangements, Cast Iron Hand Wheel, Aluminum Hand Crank, Flexible Jaw Coupling, Electric Motor, Worm Gear Speed Reducer, Geared Motor, Digital Position Indicator, Pillow Block Bearing, Ball Joint Rod End Bearing, Bellows Boot, Linking Bar, Limit Switches, Swivel Mounting Plate, Pivoting Mounting Base, Planetary Speed Reducer, Hydraulic Cylinder Rod End Bearing, Frequency Inverter, 24V DC Motor, 12V DC Motor, 36V DC Motor, 48V DC Motor, 24V DC Motor Gear Reducer, 12V DC Motor Gear Reduction, 36V DC Gear Motor, 48V DC Gear Reduction Motor etc.

