

5 Ton Machine Screw Jacks, 20 Ton Upright Translating Screw Jacks For Lift Different Rotors Of Horizontal Axis Balancing Machines In Russia

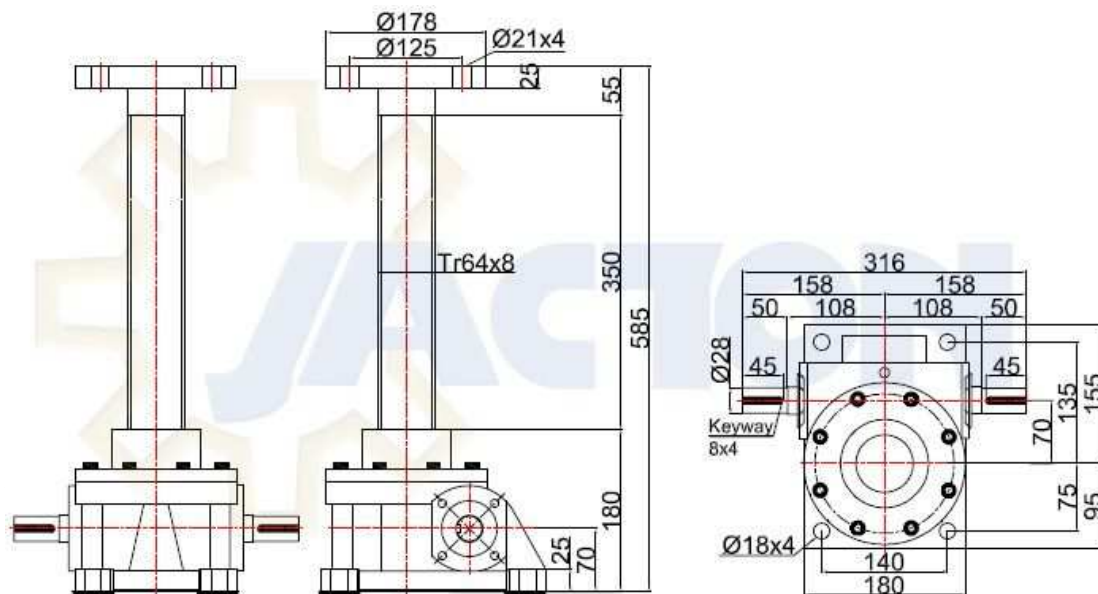
This balancing machine is a dynamic soft bearing machine with a horizontal axis. It has an AC motor with variable speed, which drives the balancing machine through a belt drive system. The machine can be mounted on a reinforced concrete basement or rigid table for better operating conditions. Self-installing rollers, ac frequency inverter, 5t or 20t screw jacks for for smooth and non-shock rotor stop.



20 Ton Upright Translating Screw Jacks

Model: JT-20T-US-350-L-I-C-N

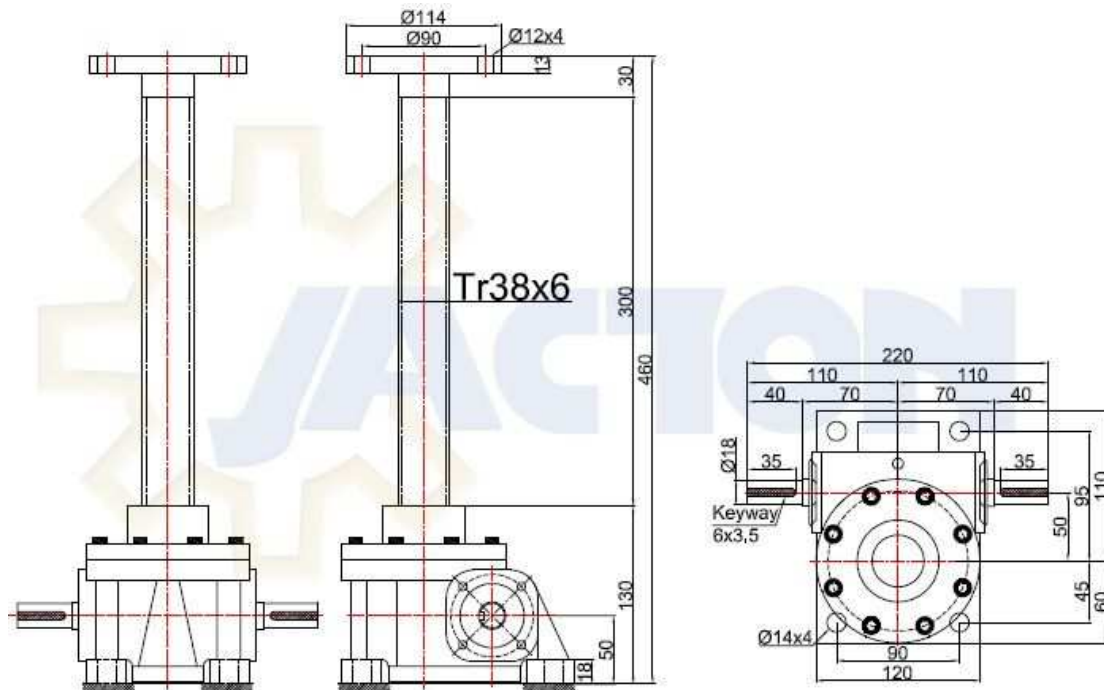
- * Static loading capacity max. 20t, spindle tr64x8
- * Upright mounting, translating screw configuration
- * Travel stroke 350 mm
- * Low worm gear ratio 1/32, 0.25mm per revolution of input shaft
- * Double input shaft, no additional accessory



5 Ton Upright Translating Screw Jacks

Model: JT-5T-US-300-L-I-C-N

- * Static loading capacity max. 5t, spindle tr38x6
- * Upright mounting, translating screw configuration
- * Travel stroke 300 mm
- * Low worm gear ratio 1/24, 0.25mm per revolution of input shaft
- * Double input shaft, no additional accessory





Other Products Includes: JT Acme Screw Jack, JTC Cubic Screw Jack, JTW Worm Screw Jack, JTM Machine Screw Jack, JTB Ball Screw Jack, JTS Bevel Gear Jack, JT Series T Type Spiral Bevel Gear Boxes, JTP Series Cubic Spiral Bevel Gear Boxes, JTV Series Cubic Spiral Bevel Gear Boxes, JTA Series Lightweight Aluminum Spiral Bevel Gear Boxes, Multiple Screw Jack System Arrangements, Cast Iron Hand Wheel, Aluminum Hand Crank, Flexible Jaw Coupling, Electric Motor, Worm Gear Speed Reducer, Geared Motor, Digital Position Indicator, Pillow Block Bearing, Ball Joint Rod End Bearing, Bellows Boot, Linking Bar, Limit Switches, Swivel Mounting Plate, Pivoting Mounting Base, Planetary Speed Reducer, Hydraulic Cylinder Rod End Bearing, Frequency Inverter, 24V DC Motor, 12V DC Motor, 36V DC Motor, 48V DC Motor, 24V DC Motor Gear Reducer, 12V DC Motor Gear Reduction, 36V DC Gear Motor, 48V DC Gear Reduction Motor etc.

