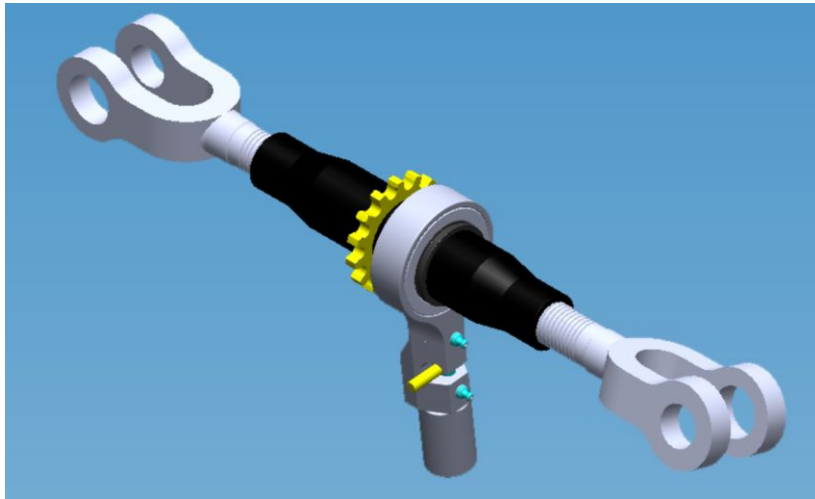


# Swintool

A solution for your specialty tools

---



## Ratchet turnbuckle special

For heavy duty industry( Paver as picture showing)

---

Will Stone Wang, Overseas Manager

Yuyao Swintool Factory— Zhangting Town Industrial Area, Yuyao 315410, China

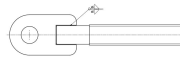
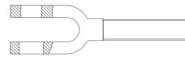
**T:** 0086 574 62975489 **F:** 0086 574 62975485 **E:** [ws@swintool.com](mailto:ws@swintool.com)

# Introduction

A professional manufacturer of ratchet turnbuckle standard and special need.

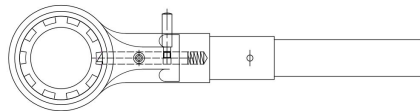
## End fittings for your choices:

1. Forged clevis jaw
2. Forged eye blot
3. Plate screw rod
4. Welding studs
5. Special fittings OEM



## Ratchet wrench with flexible handle length

This type ratchet is better than G80 or G100 ratchet in load binder. The most important thing is to save labor when you need the extended handle by lock pin connecting.



## Safe working load limit:

Please don't exceed the working load limit when use it. We will test the loadability of turnbuckle bodies or welding with ratchet, the complete ratchet turnbuckle with fittings(jaws, eye, plate rod, hoot etc) will be determined separately. And we can offer you a test of working simulation with our equipment.



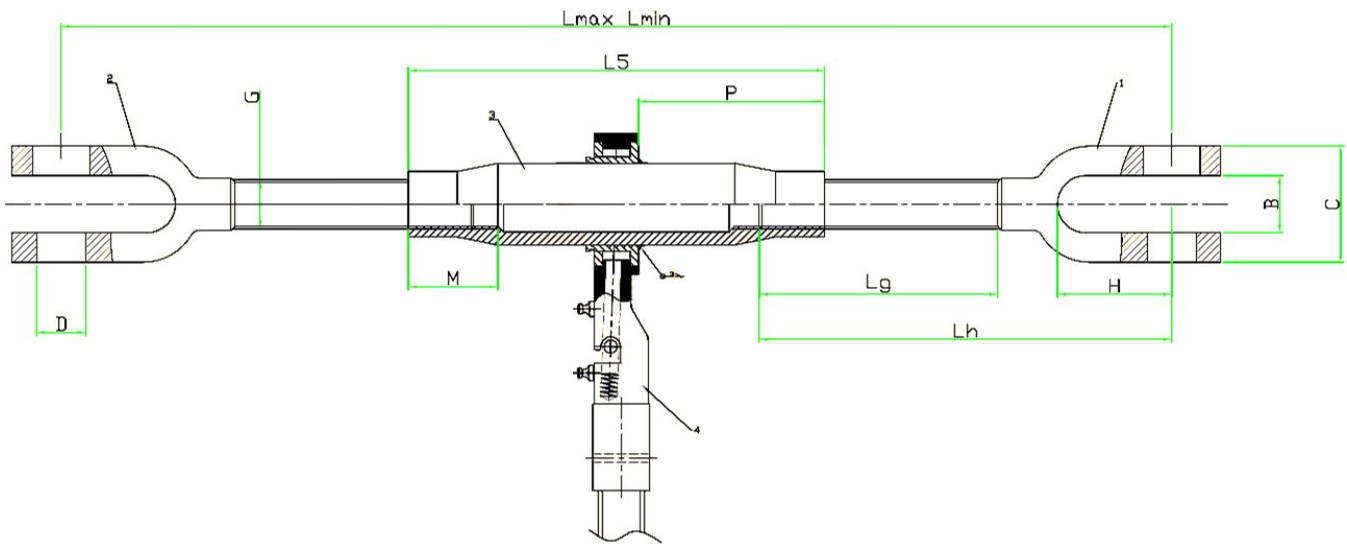
## Ratchet Turnbuckle with Jaw Jaw

### RTD

Ratchet turnbuckle with jaw jaw ( ratchet load binder)

The turnbuckle body is DIN 1478 standard, material is Q235 or Q345.

Forged clevis is material 45 steel with heat treatment as per 8.8 grade or 10.9 grade strength.



<b>Part No.</b>	<b>Threa</b>	<b>L5</b>	<b>Lmin</b>	<b>Lmax</b>	<b>Lg</b>	<b>Lh</b>	<b>P</b>	<b>H</b>	<b>B</b>	<b>M</b>	<b>W.L.L</b>
RTD-30	M30	255	505	675	145	250	114	70	35	36	12000KG
RTD-24	M24	255	435	625	125	215	114	62.75	29	29	
RTD-20	M20	200	370	520	115	185	86.5	59.5	23.5	24	
RTD-16	M16	170	350	470	102	172	71.5	45.25	20	20	
RTD-12	M12	125	305	395	90	150	49	44.75	15.5	15	

Note: W.L.L= working load limit. Breaking load limit=4\*W.L.L THE DATE FOR YOUR REFERENCE.

OTHER FACTORS SHOULD BE CONSIDERED IN THE USAGE ENVIROMENT.



Our OEM ratchet turnbuckle can be used in the following area:

1. Construction machinery

Paver

lifting and tension purposes



2. Solid waste compactor



3. Oil drilling equipment with tension purpose



4. This type ratchet also be used in G80 and G100 load binder.