



XINDER-TECH ELECTRONICS



ES-S SERIES

ELECTRIC STEP



XINDER-TECH

WWW.CHINA-WHEELCHAIR-LIFT.COM

1. INTRODUCTION

ES series electric step is a kind of equipment which can help passengers get into vehicles, such as cars, public bus, taxi, ambulance and so on. This step, with loading capacity of 250 kg, can work steadily, reliably and safely.

We have different steps with several specifications, which can meet different requirements.

This step has a frame with thickness of only 65mm, and it is also suitable for the low-floor vehicle. The operation can be electric or manual. Electric operation is done by remote control.

ES is a kind of electric steps. It is designed to fit a vast range of accessible vehicles, cars, minibuses, taxis and ambulances.

Description:

- Small frames, downy line, smooth platform and easy operation
- Reduce the floor height to make entrance easy
- Operated by the driver or attendant.
- Rated voltage is 12V-24V
- Waterproof connectors
- If door is closed, this step will stow automatically
- If there is an obstruction when extending, the step will stow automatically.
- Can be operated fully automatically, that is to say, when door is open, this step will extend; when door is closed, this step will retract
- There is sound and light for warning during working
- There is interlock function, which can interlock with vehicle brake
- Equipped with LED and LED cover as standard
- Can be stowed for emergency
- Has been tested 100000 cycles
- Test weight is 500kg



XINDER-TECH ELECTRONICS

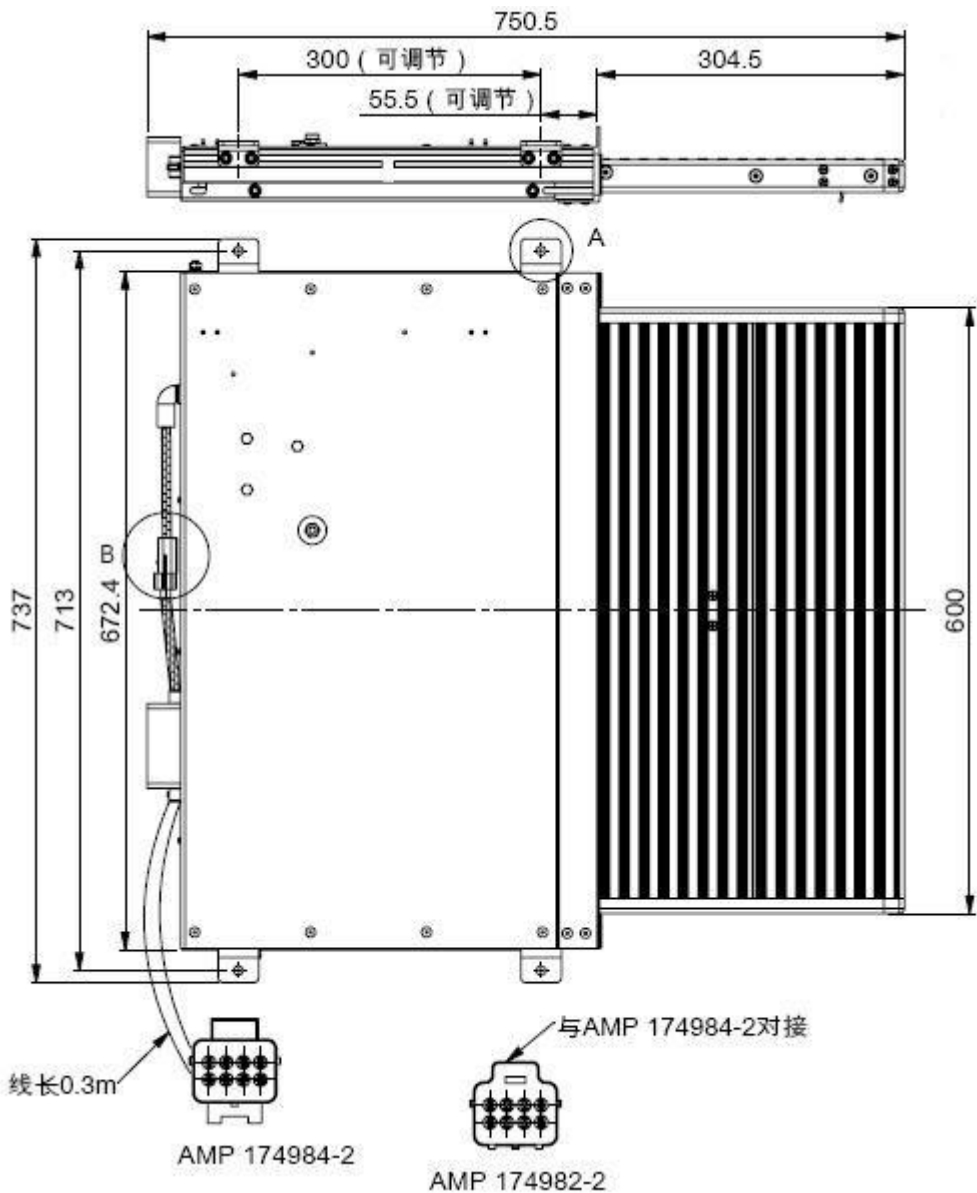
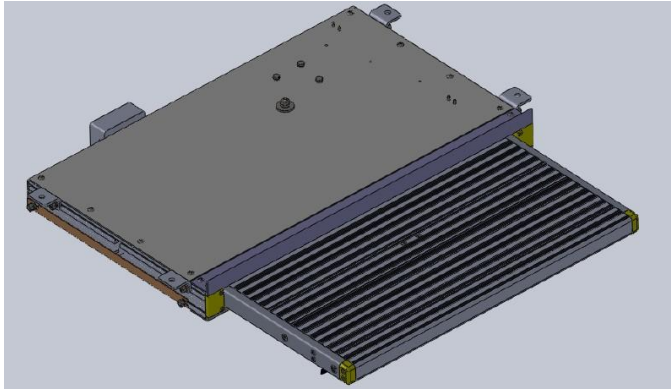
Accessory:

- Fully auto operation: simply swap the switch to change to a fully automatic operation on door.
- Sensitive edge: It will stop automatically if there is an obstruction. The operator should press the switch again to extend the step.
- Buzzer: an equipment for auto alarm

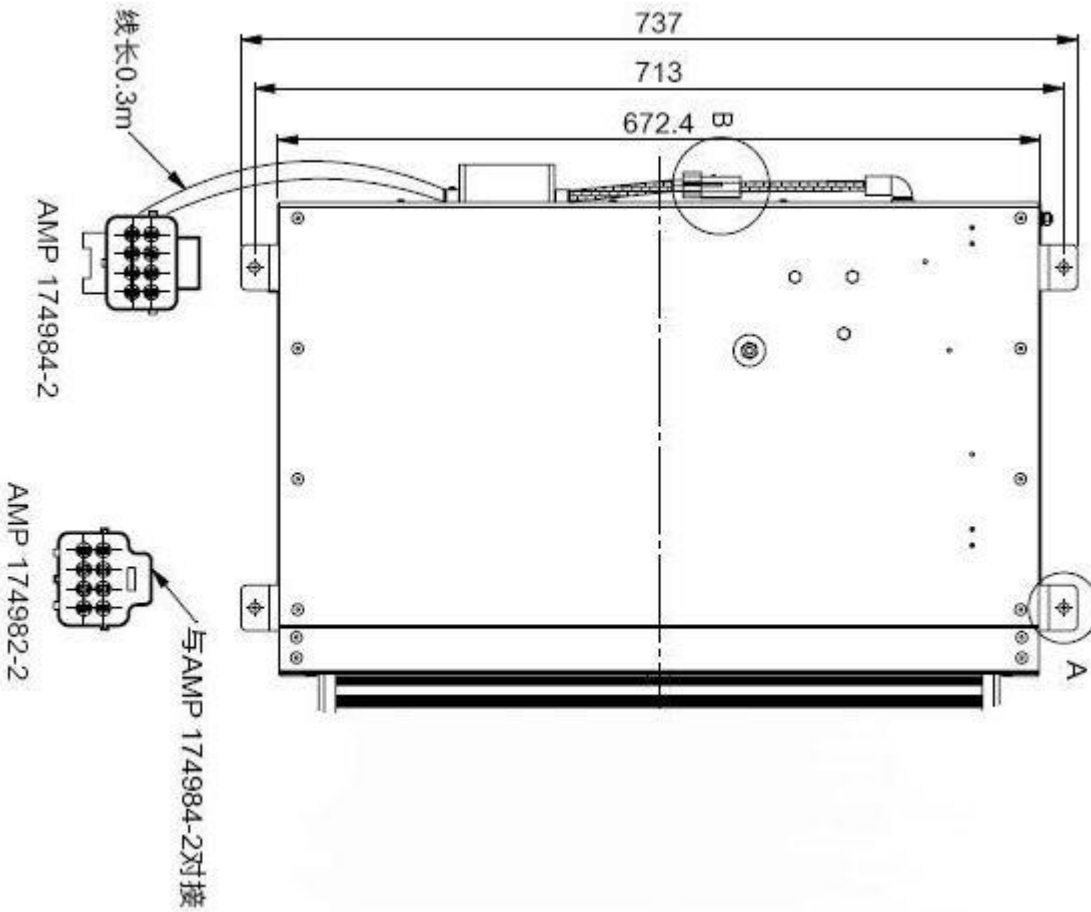
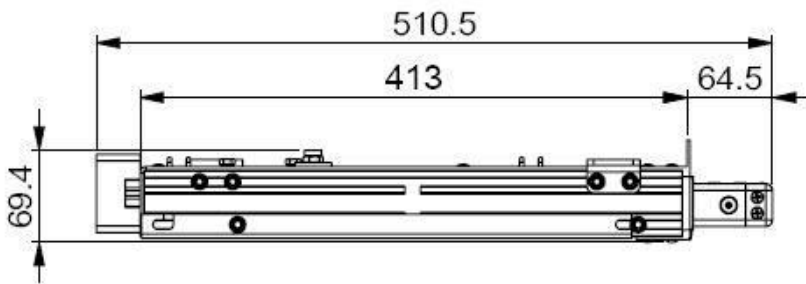
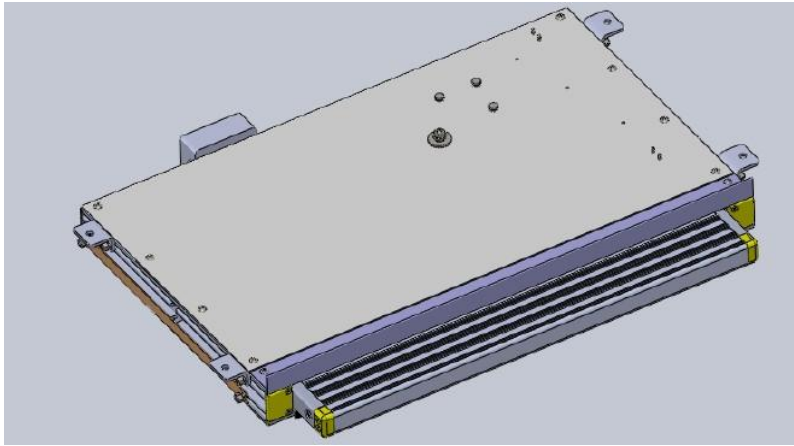
Model	Drive Mode	Platform Size (L*W)	Installation
ES-S-450	Electric	450*300 mm	Installed under vehicle floor to reduce the floor height and make entrance easy
ES-S-600	Electric	600*300 mm	
ES-S-750	Electric	750*300 mm	
ES-S-1000	Electric	1000*300 mm	
ES-S-1200	Electric	1200*300 mm	

2. SPECIFICATION (ES-S-600)

Fully deployed:



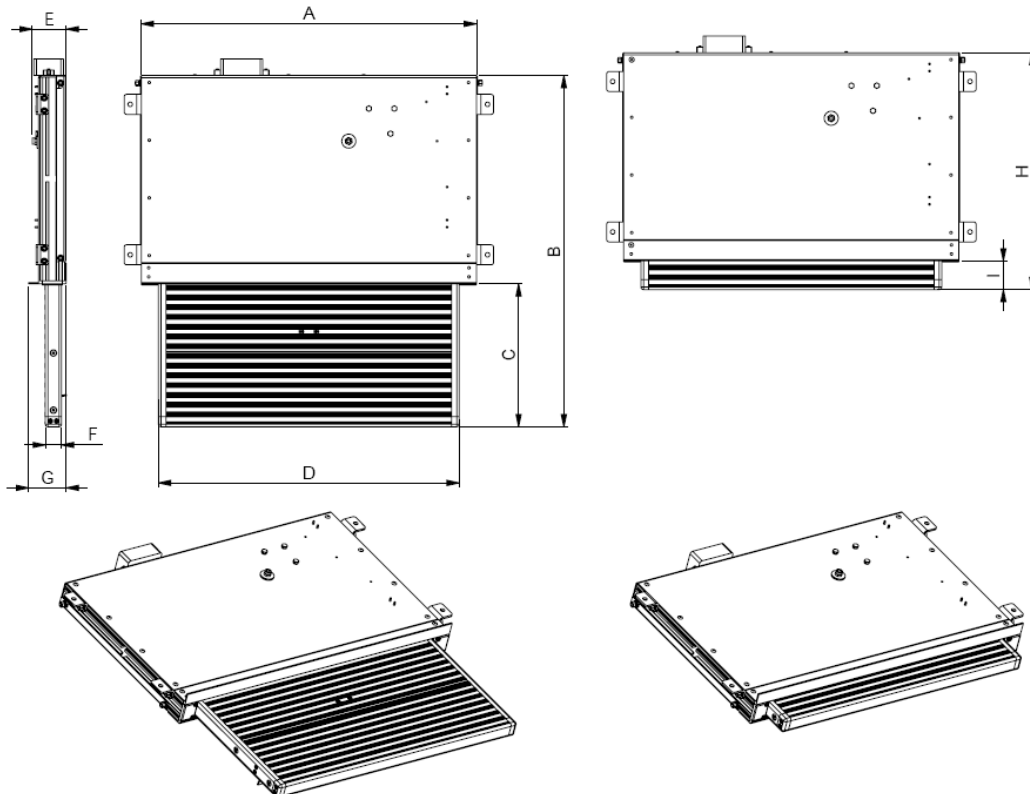
Fully stowed:



3. TECHNICAL PARAMETER

Model	Overall dimension when fully extend (A*B)	Platform net size (C*D)	Loading capacity	Test weight	Working voltage	Own weight
ES-S-450	523*722 mm	450*300 mm	250 kg	500 kg	12-24 V	15 kg
ES-S-600	673*722 mm	600*300 mm	250 kg	500 kg	12-24 V	19 kg
ES-S-750	823*722 mm	750*300 mm	250 kg	500 kg	12-24 V	23 kg
ES-S-1000	1073*722 mm	1000*300 mm	250 kg	500 kg	12-24 V	27 kg
ES-S-1200	1273*722 mm	1200*300 mm	250 kg	500 kg	12-24 V	31 kg

Model	Mini ground clearance (E)	Step net height (F)	Overall Height (G)	Overall length when stowed (H)	Platform outer length when stowed (I)
ES-S-450	70mm	32mm	75mm	477.5mm	62mm
ES-S-600	70mm	32mm	75mm	477.5mm	62mm
ES-S-750	70mm	32mm <td 75mm	477.5mm	62mm	
ES-S-1000	70mm	32mm	75mm	477.5mm	62mm
ES-S-1200	70mm	32mm	75mm	477.5mm	62mm



4. Product Function

Technical Function

- Voltage: 12V-24V
- Max current during extending or stowing under normal situation: 8-10 A
- Extending time: 1-2 s
- Stowing time: 1-2 s
- Test weight: 500 kg/1100 lbs
- Safety loading capacity: 250 kgs/550 lbs

Safety Function

1. The platform surface is the aluminum board with the function of anti-skid
2. There are sound signal for warning during step working
3. If the platform touches an obstruction when extending out, it will return back. Then the operator should press the switch again to extend the platform. That function is still available.
4. This step and the vehicle door are interlocked.
5. If the motor doesn't work, this step can be operated manually to stow the platform under
6. LED and LED cover are equipped as standard



5. INSTALLATION

- The mounting points on the side of step frame are flexible.
- This step can be installed at different place such as door, chassis, or other place of vehicle.
- It is suitable for many kinds of vehicle
- Every step has its own series number which is easy to track

6. APPLICATION

- Vehicle with sliding door, hinge door, electric door or plug door
- Cars, mini public bus or taxi
- Disabled cars
- Ambulance
- Minivans and Camping car

7. WARRANTY

- 12 months warranty support.

