
Product Specifications

NAME: Europe Standard Low-voltage Touch Panel Color Temperature Controller
MODEL: E-TM07E



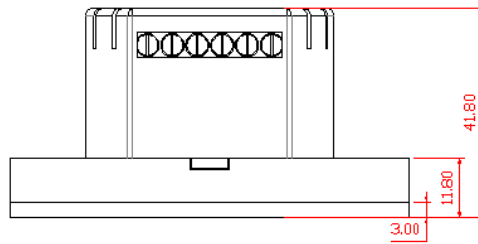
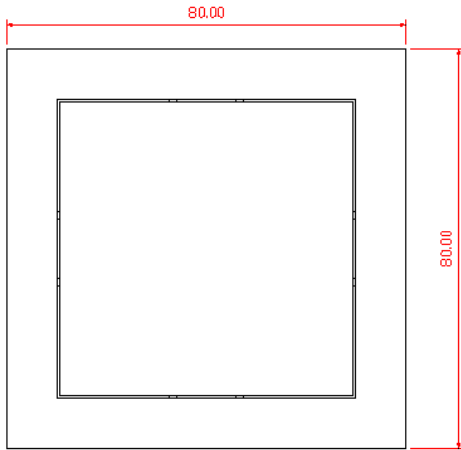
I. Summarization

Touch panel controller is a new high-end controller which newly developed by our company. It adopts glass panel design, is beautiful and fashionable in appearance. It adopts high precision capacitance touch control chip, increases the touch sensitivity, reduces trigger which caused by mistake. It is used for controlling a variety of lamp whose source of light is LED. For instance, point source of light, flexible light strip, panel lights etc., it has many advantages such as convenient to connect, easy to use and others.

II. Technical Parameters

- working temperature: -20-60 °C
- supply voltage: DC12~24V
- output voltage: DC12~24V
- output: 2 channels
- connection mode: common anode
- external dimension: L80 X W80 X H41.8 mm
- packing size: L105 X W105 X H53 mm
- net weight: 128.1g
- gross weight: 178.6g
- static power consumption: <1W
- output current: <4A (each channel)
- output power: 12V<96W 24V<192W

III. External Dimension



Unit: mm

IV. Interface Specifications



“1”, “2”: power input pins, input voltage range is 12-24V, “1” is negative pole, and “2” is positive pole.

“3”, “4”, “5”: power output pins, output voltage is 12-24V, maximum output current is 8A, “3” is positive pole, “4” is interface of cool light, “5” is interface of warm light.

V. Instruction for use:

1. Description of function keys



: color temperature settings button, up to 47 touch points.



: you could turn on/off controller at any state; When the dimmer is turned on, long press the key for 3 seconds, you can turn on/off output of buzzer;



: mode reduce key;

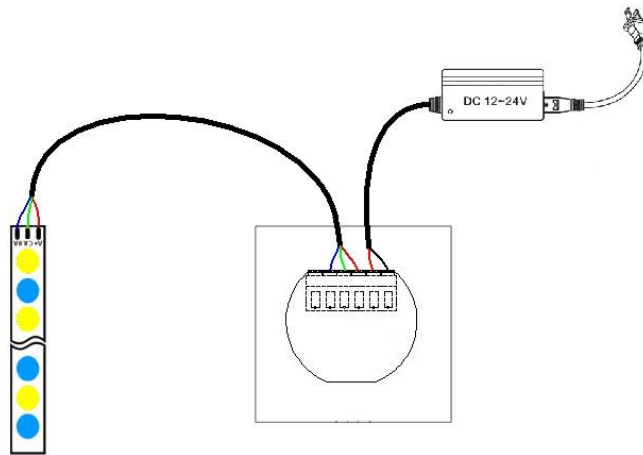


: mode increase key;

2. Standard change is shown in the below table:

Mode No.	Function	Mode No.	Function
1	Warm white	7	Cold White +80% Warm white
2	Warm white +20% Cold White	8	Cold White +60% Warm white
3	Warm white +40% Cold White	9	Cold White +40% Warm white
4	Warm white +60% Cold White	10	Cold White +20% Warm white
5	Warm white +80% Cold White	11	Cold White
6	White		

Typical Application



Installation Method

1. open touch panel

Gently pry gaps in touch panel with a screwdriver, and then you can slowly remove the panel, as shown below;

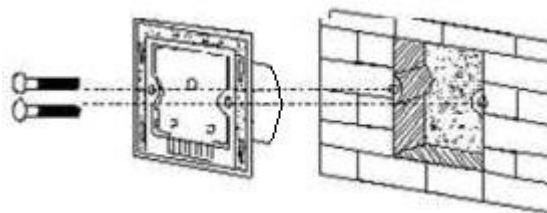


2. wiring

Connect wiring according to typical application. Refer to typical application;

3. Install switch base

As shown in the picture, mount the controller on the cassette in the wall after connecting the wire, and then nail the screw, fix it on the wall, finally you can install the switch pedestal on the wall;



Remarks

1. Connect the load wire at first, following by the power wire; **Please ensure short circuit can not occur between connecting wire before you turn on the power;**
2. The supply voltage of controller ranges in DC12-24V, it may burn out the controller once exceed the voltage.