
Product Specifications

Name: 0-10V dimmer

Model: E-DM010



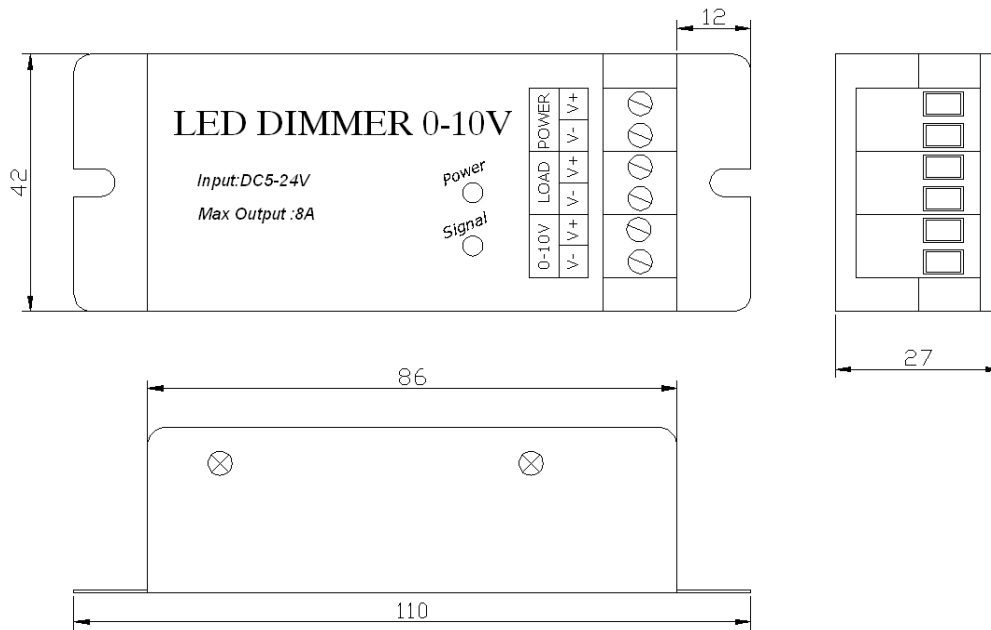
Summarization

This dimmer has a small sharp, through input 0-10V analog signal to control load output, dimmer provides 0-10V port, it can accept external input 0-10V dimming, and also can connect a potentiometer to dimming; The dimmer output signal adopts the most advanced PWM digital brightness adjustment technology, can control a variety of lamps whose light source is LED. For instance, point source of light, flexible strip light, wall washer lamp, glass curtain wall light and so on; It is cheap, connection convenient, easy to use.

Technical parameters

- Working temperature: -20-60°C
- Supply voltage: DC5~24V
- Output: 0-10V dimmer signal
- Connect mode: common anode
- Output current: ≤8A
- Output power: 12V:<96W, 24V:<192W
- External dimension: L108 X W42 X H27 mm
- Packing size: L110XW50XH40mm
- Net weight: 112g
- Gross weight: 135g

External Dimension:



Unit: mm

Interface Specifications:

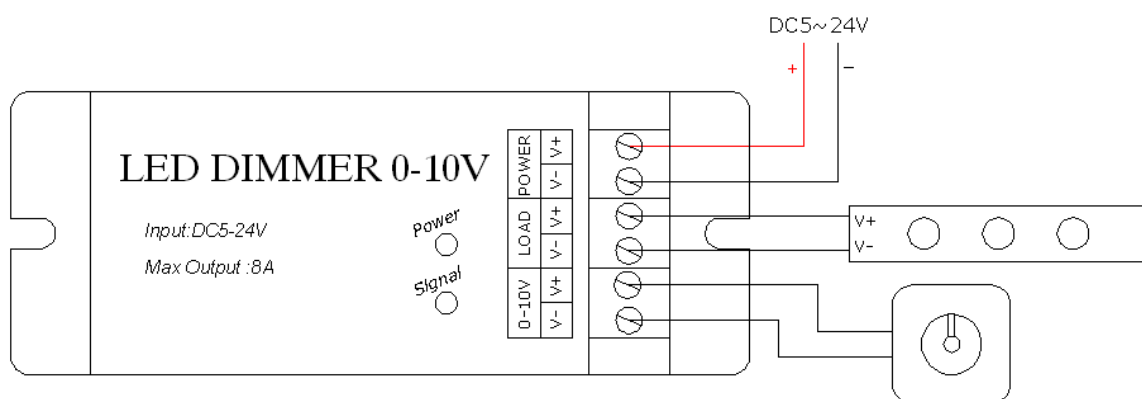
POWER: Power supply input port, V+ connect the positive pole of the power supply, V- connect the negative pole of power supply, power supply voltage range is DC5-24V.

LOAD: Load output port, V+ connect positive pole, V- connect negative pole.

0-10V: Dimming signal input port, can external input 0-10v dimming, and also can connect potentiometer to dimming.

Typical Applications

1. Connect potentiometer to dimming($R_{max} > 100K\Omega$)



2. External connect 0-10V voltage dimming

