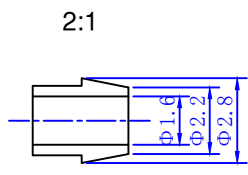
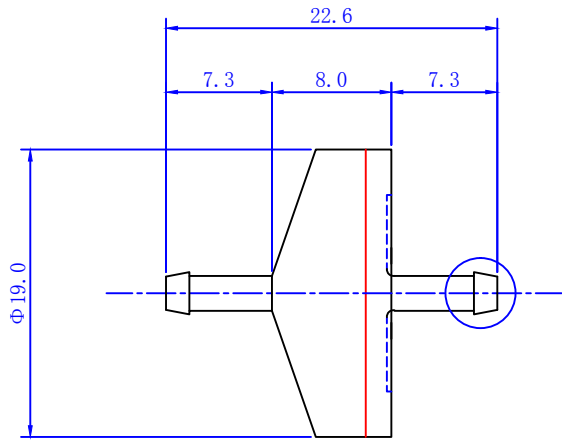
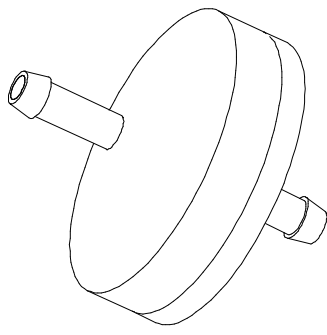


1 2 3 4 5 6 7 8

A B C D E F



Model: DCV116DVN  
 Body materials: PVDF  
 Diaphragm materials:VTION  
 Cracking pressure: <0.5kPa  
 Back pressure: >300kPa



ITEM	QTY	DESCRIPTION	DRAWING NO.	PART NO.	MATERIAL/SPEC.	NW(g)
DRAW		26/10/2008	Lei Zhang	<i>JiYue-Plastic</i> Beijing Sihai Xiangyun Plastic Parts Co.,Ltd		
DESIGN						
CHECK				DESCRIPTION		
		DATE	SIGN.	1/16" barb		
PROJ. NO./NAME				ITEM NO.		
				DCV116DVN		
ASSEMBLY NO.			N/A	DRAWING NO.		
SUBASSEMBLY NO.			N/A	SCALE	SHEET	
				2:1	1/4	

1 2 3 4 5 6 7 8

F E D C B A