



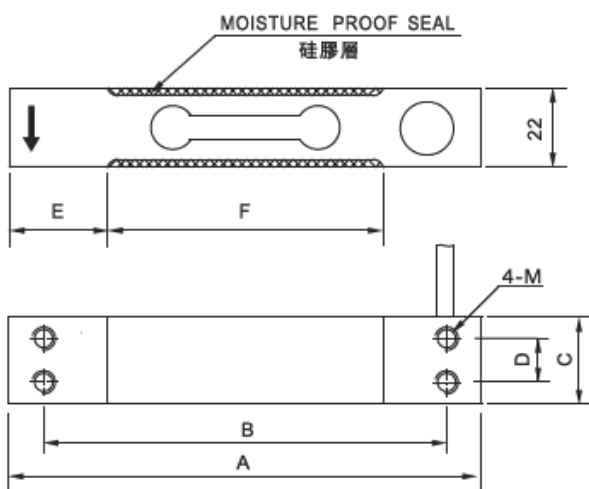
# Single Point Load Cell

# Model: PE-1

## Material: Aluminum

Double holes cantilever beam structure. Temperature compensated and four corners adjusted. Low profile, small size.

Suitable for electronic price computing scale, table top scale, platform scale and other small capacity electronic scales.



最大稱臺面積: 350×350 mm

## Specification

Rated Output	1±0.1 (0.3~3KG) 2±0.1 (6~250KG) MV/V
Nonlinearity	±0.02%FS
Hysteresis	±0.02%FS
Repeatability	±0.01%FS
Creep(30 minutes)	±0.02%FS
Zero balance	±1.00%FS
Temperature effect on zero	±0.02%FS/10℃
Temperature effect on output	±0.02%FS/10℃
Input resistance (Ω)	410±15 Ω
Output resistance (Ω)	350±3 Ω
Insulation resistance	≥5000 M Ω
Excitation voltage	10 V (DC/AC)
Compensated temperature range	-10~+50℃
Operating temperature range	-20~+60℃
Safe overload	120%FS
Cable	Φ4X0.4 (3) M
Cable color code	Input: red+ black- Output: green+ white-

Capacity	Size (mm)							
	A	B	C	D	E	F	G	M
Kg								
0.3-0.6	70.0	58.0	15.0	7.0	12.0	40.0	22.0	M3
1-3	70.0	58.0	15.0	7.0	12.0	46.0	22.0	M3
6-20	130.0	106.0	30.0	15.0	25.0	76.0	22.0	M6
25-35	130.0	106.0	40.0	15.0	27.0	76.0	23.0	M6
40-200	130.0	106.0	50.0	25.0	27.0	76.0	23.0	M6
200-250	130.0	106.0	50.0	25.0	27.0	76.0	23.0	M8