

SHENZHEN BRILLIANT CRYSTAL TECHNOLOGIC CO.,LTD.

深 圳 市 彩 晶 科 技 有 限 公 司

The specification for the following models :

CM320240-21BLWAA-5**CM320240-21FLWAA-5**

PROPOSED BY		APPROVED
Design	Approved	

TEL:+86-755-29995238

FAX:+86-755-29459900

Http://www.cj86.com

E-mail:szcj86@gmail.com

Http://www.szcm-lcd.com

E-mail:szcj86@hotmail.com

地址：深圳市南山区西丽留仙洞工业区顺和达厂区 B 栋

1. Mechanical Specification

ITEM	STANDARD VALUE		UNIT
Dot Matrix	320 X 240 DOTS		--
MODULE DIMENSION	160.0 (W) X 111.0 (H) X 11.6 (T)		mm
VIEWING DISPLAY AREA	118.3 (W) X 89.5 (H)		mm
ACTIVE DISPLAY AREA	115.19 (W) X 86.39 (H)		mm
DOT SIZE	0.345 (W) X 0.345 (H)		mm
DOT PITCH	0.015 (W) X 0.015 (H)		mm
DRIVE METHOD	1/240 Duty , 1/16 BIAS		
VIEWING DIRECTION	6 O'clock		
LED Backlight Color	White		
Backlight Input	DC +5.0V	V	mA
LED backlight current	45		mA
Backlight Half-Lift Time	35,000		HR.
INPUT VOLAGE	DC +5.0V	V	mA
LCD DRIVER	RA8835		
Weight			

2. Mechanical Diagram

CUSTOMER CONFIRM : _____

CM320240-21

Dimensions: 160±0.5, 111±0.5, 118.3±0.2, 115.19, 131±0.2, 105±0.2, 101±0.2, 89.5±0.2, 86.39, 2.54*(20-1)=46.26, 37±0.5, 15, 11±0.3, 1.6, 51.7, 4.7±0.5, 10.3, 2.54, 19.7, 18.9, 21.5.

J1 PIN ASSIGNMENT:

1	2	3	4	5	6	7	8	9	10	11	12	13	14	15	16	17	18	19	20
VSS	VDD	VO	/WR	/RD	/CS	A0	/RES	DB0	DB1	DB2	DB3	DB4	DB5	DB6	DB7	NC	VOUT	LEDA	LEDK

TP_CON1

1	2	3	4
X2	Y2	X1	Y1

TP_CON2

1	2	3	4
X1	Y1	X2	Y2

J2 PIN ASSIGNMENT

1	2	3	4	5	6	7
XD0	XD1	XD2	XD3	D.OFF	Fram	m
8	9	10	11	12	13	14
Load	CP	VDD	VSS	VOUT	VO	LEDA

J3 PIN ASSIGNMENT

1	2	3	4	5	6	7	8	
/RES	/RD	/WR	/CS	A0	DB0	DB1	DB2	
9	10	11	12	13	14	15	16	
DB3	DB4	DB5	DB6	DB7	VDD	VSS	VOUT	
17	18	19	20	21	22	23	24	
VO	DCLK	DOUT	DIN	/CS	(TP)	PEN	LEDA	LEDK

J4 PIN ASSIGNMENT

1	2	3	4	5	6	7	8
VSS	VDD	VO	A0	/WR	/RD	DB0	DB1
9	10	11	12	13	14	15	16
DB2	DB3	DB4	DB5	DB6	DB7	/CS	/RES
17	18	19	20	21	22		
VOUT	SEL	LEDA	LEDK	NC	NC		

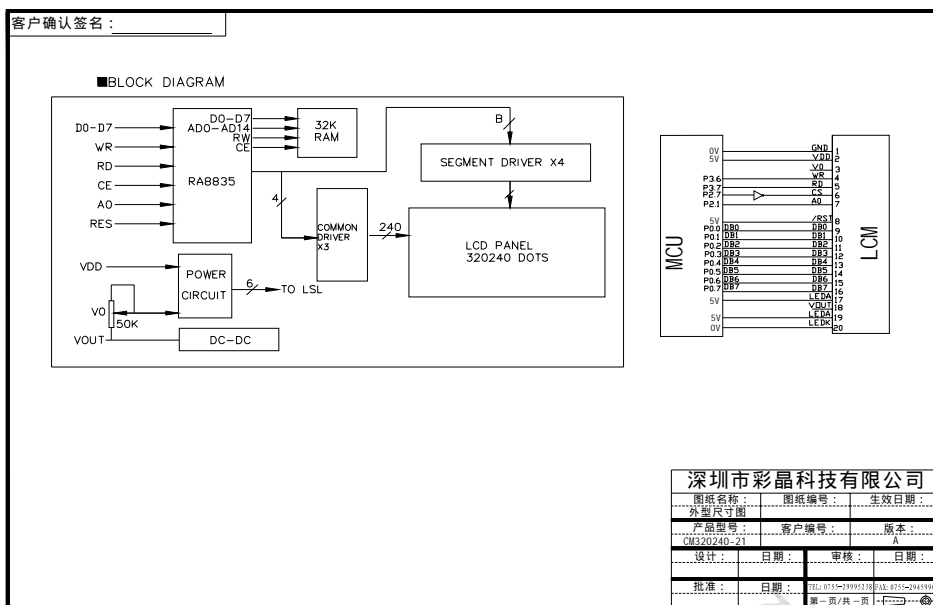
Dot Matrix: 0.36, 0.345, 0.36, 0.345

COMPONENT AREA

深圳市彩晶科技有限公司

图纸名称:	图纸编号:	生效日期:
外型尺寸图		
产品型号:	客户编号:	版本:
CM320240-21		A
设计:	日期:	审核:
		日期:
批准:	日期:	TEL: 0755-29995238 FAX: 0755-29459900
		第一页/共一页

Tolerance : ±0.2



3. Interface Pin Connections

J1 (RA8835 Controller)

NO	SYMBOL	LEVEL	FUNCTION
1	VSS	0V	GND
2	VDD	5.0V	Supply voltage for logic(+5V)
3	V0	+20V	Supply voltage for LCD Contrast adjustment(+20V)
4	/WR	--	Write signal
5	/RD	--	Read Signal
6	/CS	--	Chip select singnal
7	A0	H/L	Data Type Selection
8	/RES	H/L	Reset Signal
9	DB0	H/L	Data BUS
10	DB1	H/L	Data BUS
11	DB2	H/L	Data BUS
12	DB3	H/L	Data BUS
13	DB4	H/L	Data BUS
14	DB5	H/L	Data BUS
15	DB6	H/L	Data BUS
16	DB7	H/L	Data BUS
17	LEDA	--	LED+5V
18	VOUT	--	Power out(+23V),LCD Power supply
19	LEDA	--	LED Back light Power+5V
20	LEDK	--	LED Back lingt Power0V

J2 NO Controller

NO	SYMBOL	LEVEL	FUNCTION
1	D0	H/L	Data BUS
2	D1	H/L	Data BUS
3	D2	H/L	Data BUS
4	D3	H/L	Data BUS
5	Dispoff	--	H:Display ON.L:Display Off
6	Fram	--	Frame signal
7	M	--	Alternater for LCD driver
8	Load	--	Data latch signal
9	Cp	--	Clock signal for shifting serial data
10	VDD	--	Power supply for logic(+5V)
11	Vss	--	GND
12	VOUT	--	Power supply for LCD(+23V)
13	V0	--	Variable voltage for LCD(+20V)
14	LEDA	--	LED Back light Power+5V

J3 (RA8835 Controller)

NO	SYMBOL	LEVEL	FUNCTION
1	/RES	--	Reset Signal
2	/WR	--	Write signal
3	/RD	--	Read Signal
4	/CS	--	Chip select singnal
5	A0	--	Data Type Selection
6	DB0	H/L	Data BUS
7	DB1	H/L	Data BUS
8	DB2	H/L	Data BUS
9	DB3	H/L	Data BUS
10	DB4	H/L	Data BUS
11	DB5	H/L	Data BUS
12	DB6	H/L	Data BUS
13	DB7	H/L	Data BUS
14	VDD	5.0V	Supply voltage for logic(+5V)
15	VSS	0V	GND
16	VOUT	--	Power out(+23V),LCD Power supply

17	V0	+20V	Supply voltage for LCD Contrast adjustment(+20V)
18	SK/X1	--	
19	DO/X2	--	
20	DI/Y1	---	
21	CS/Y2	---	
22	INT	--	Interrupt
23	LEDA	--	LED Back light Power+5V
24	LEDK	--	LED Back lingt Power0V

J4 (RA8835 Controller)

NO	SYMBOL	LEVEL	FUNCTION
1	VSS	0V	GND
2	VDD	5.0V	Supply voltage for logic(+5V)
3	V0	+20V	Supply voltage for LCD Contrast adjustment(+20V)
4	A0	--	Data Type Selection
5	/WR	--	Write signal
6	/RD	--	Read Signal
7	DB0	H/L	Data BUS
8	DB1	H/L	Data BUS
9	DB2	H/L	Data BUS
10	DB3	H/L	Data BUS
11	DB4	H/L	Data BUS
12	DB5	H/L	Data BUS
13	DB6	H/L	Data BUS
14	DB7	H/L	Data BUS
15	/CS	--	Chip select signal
16	/RES	--	Reset Signal
17	VOUT	--	Power out+23V),LCD Power supply
18	SEL1	--	H:6800,L:8080
19	LEDA	--	LED Back light Power+5V
20	LEDK	--	LED Back lingt Power0V
21	NC		
22	NC		

4. Absolute Maximum Ratings

ITEM	SYMBOL	MIN.	TYPE	MAX.	UNIT
OPERATING TEMPERATURE	TOP	0/-20	--	+50/+70	
STORAGE TEMPERATURE	TST	-10/-30	--	+60/+80	
INPUT VOLAGE	VI	4.75	5.0	5.25	V
SUPPLY VOLTAGE FOR LOGIC	VDD-VSS	--	5.0	5.5	V
SUPPLY VOLTAGE FOR LCD	VDD-VO	--	--	21.5	V
STATIC ELECTRICITY	Be sure that you are grounded when handing LCM.				

CALLING