



Shear Beam Load Cell Model: GX-4



Materials: Alloy Steel, Stainless Steel

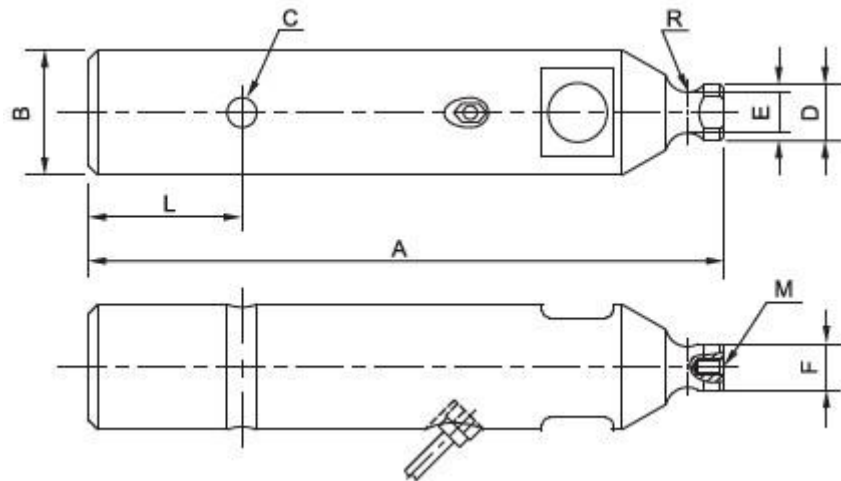
Single-end fixed beam load cell, circular section structure. Simple to install, easy to use, good interchangeability.

High quality alloy steel, nickel-plated.

Potted sealed or hermetically sealed, good humidity resistance, ideal for hostile environment.

Suitable for small or medium size electronic platform scale, crane scale, hopper scale, and various process control device, etc.

Specification	
Rated Output	2.00±0.005 3.00±0.005(≥37.5K)
Nonlinearity	±0.02%FS
Hysteresis	±0.03%FS
Repeatability	±0.02%FS
Creep(30 minutes)	±0.02%FS
Zero balance	±1.00%FS
Temperature effect on zero	±0.02%FS/10°C
Temperature effect on output	±0.02%FS/10°C
Input resistance (Ω)	385±10
Output resistance (Ω)	350±3
Insulation resistance	≥5000MΩ
Excitation voltage	10V(DC/AC)
Compensated temperature range	-10~+50°C
Operating temperature range	-20~+60°C
Safe overload	120%FS
Cable	Φ5.4X6 M
Cable color code	Input: red+ black- Output: green+ white-



Capacity	Size mm								
	A	B	C	D	E	F	R	L	M
Klb									
1.25	292.1	31.8	8.4	17.0	12.7	14.0	6.4	76.2	#6-32
2.5	292.1	41.2	10.0	17.5	12.7	14.3	7.9	76.2	#6-32
5	276.2	50.8	10.0	22.2	14.3	15.9	9.6	79.4	#8-32
10	320.7	63.5	10.0	28.6	20.6	23.4	11.1	77.8	1/4-20
25-50	377.8	88.5	13.0	44.5	31.8	34.9	15.9	92.0	5/16-18
75	479.5	127.0	13.0	50.8	38.1	41.3	17.5	117.5	5/16-18