



Bridge Load Cell

Model: GF-3



Materials: Alloy Steel, Stainless Steel

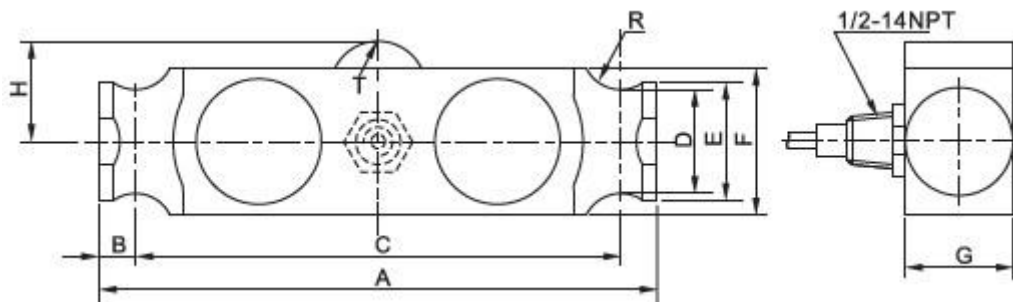
Unique floating bearing structure.

Self-resetting, good side force resistance and shock resistance.

Moistureproof sealed, ideal for hostile environment.

Simple to install, easy to use, good interchangeability. Suitable for electronic truck scale, railroad scale, hopper scale and various special scales.

Specification	
Rated Output	3.00±0.015
Nonlinearity	±0.03%FS
Hysteresis	±0.03%FS
Repeatability	±0.02%FS
Creep(30 minutes)	±0.03%FS
Zero balance	±1.00%FS
Temperature effect on zero	±0.03%FS/10°C
Temperature effect on output	±0.03%FS/10°C
Input resistance (Ω)	700±5
Output resistance (Ω)	700±3
Insulation resistance	≥5000MΩ
Excitation voltage	10V(DC/AC)
Compensated temperature range	-10~+50°C
Operating temperature range	-20~+60°C
Safe overload	120%FS
Cable	Φ6X10 M
Cable color code	Input: red+ black- Output: green+ white-



Capacity	Size mm									
	A	B	C	D	E	F	G	H	R	T
klb										
20-40	210.0	12.7	184.2	41.4	50.8	62.0	49.3	44.5	12.7	12.7
50-75	292.0	19.1	254.0	43.2	55.8	74.7	49.3	50.8	19.1	25.4
100-125	368.0	25.4	317.2	62.0	81.3	98.0	73.7	69.9	25.4	38.1