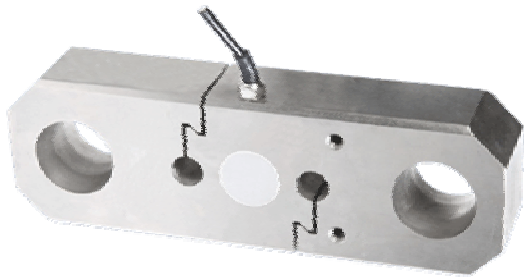




Tension Load Cell Model: ET-8

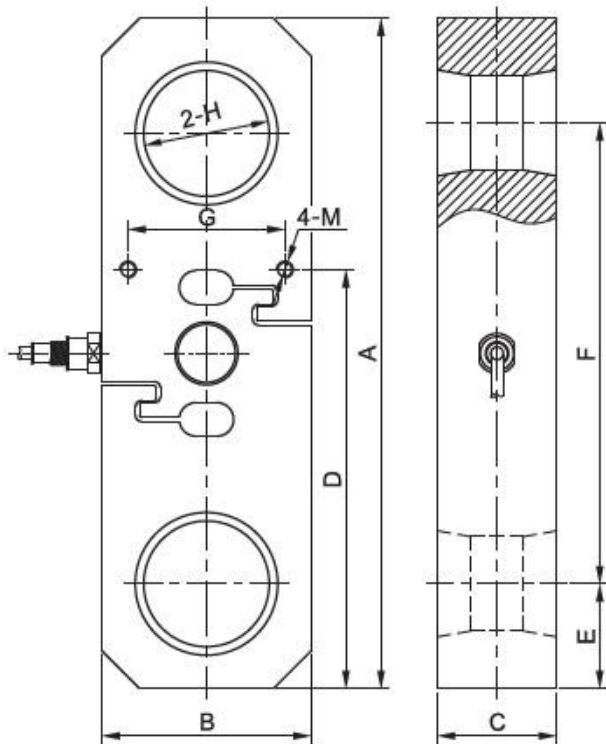
Material: Alloy Steel



A typical board and ring type of load cell, with high precision and easily to be installed.

It has the overload protection structure, with higher security and anti- overload capability.

Suitable for various lifting and crane scales devices



Specification

Rated Output (mV/V)	2.00±0.005
Nonlinearity	±0.02%FS
Hysteresis	±0.02%FS
Repeatability	±0.01%FS
Creep(30 minutes)	±0.02%FS
Zero balance	±1.00%FS
Temperature effect on zero	±0.02%FS/10°C
Temperature effect on output	±0.02%FS/10°C
Input resistance (Ω)	385±10
Output resistance (Ω)	350±3
Insulation resistance	≥5000MΩ
Excitation voltage	10V(DC/AC)
Compensated temperature range	-10~+50°C
Operating temperature range	-20~+60°C
Safe overload	120%FS
Cable	Φ5.4* 6m
Cable color code	Input: red+ black- Output: green+ white-

Capacity	Size mm								
	t	A	B	C	D	E	F	G	H
10	246.0	80.0	44.0	166.5	33.0	180.0	50.0	35.0	M8
12	270.0	100.0	50.0	175.0	42.0	186.0	75.0	38.0	M8
15	320.0	100.0	57.0	200.0	50.0	220.0	75.0	45.0	M8
17	320.0	100.0	57.0	200.0	50.0	220.0	75.0	45.0	M8
25	400.0	100.0	72.0	240.0	55.0	290.0	75.0	54.0	M8
35	400.0	105.0	81.0	243.0	60.0	280.0	75.0	60.0	M8
55	520.0	130.0	100.0	305.0	85.0	350.0	75.0	74.0	M8