



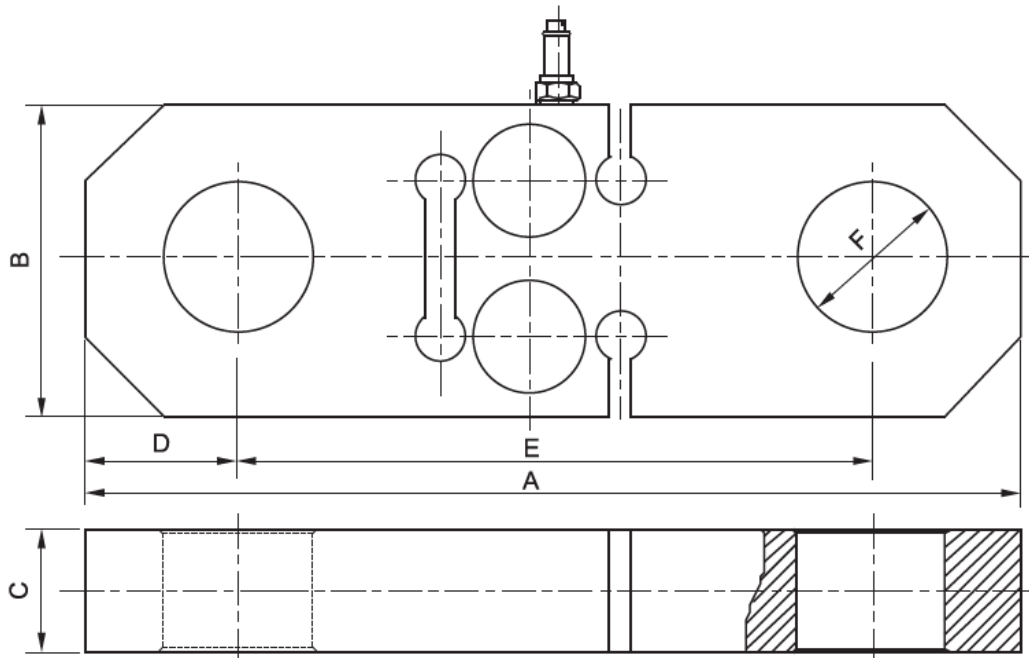
Tension Load Cell Model: ET-7



Material: Alloy Steel

A typical board and ring type of load cell, with double shear beam and blind holes structure. It has high precision and easily to be installed. Comparing with other simple crane scale load cells, it has a stronger capability of anti-deflective load. Moisture proof sealing, ideal for hostile working environment, such as lifting, crane scales, and etc.

Specification	
Rated Output (mV/V)	2.00±0.005
Nonlinearity	±0.02%FS
Hysteresis	±0.02%FS
Repeatability	±0.01%FS
Creep(30 minutes)	±0.02%FS
Zero balance	±1.00%FS
Temperature effect on zero	±0.02%FS/10℃
Temperature effect on output	±0.02%FS/10℃
Input resistance (Ω)	765±15
Output resistance (Ω)	700±5
Insulation resistance	≥5000MΩ
Excitation voltage	10V(DC/AC)
Compensated temperature range	-10~+50℃
Operating temperature range	-20~+60℃
Safe overload	120%FS
Cable	Φ5.4*0.5m
Cable color code	Input: red+ black- Output: green+ white-



Capacity	Size mm					
	A	B	C	D	E	F
t	A	B	C	D	E	F
5	260.0	80.0	32.0	40.0	180.0	32.0
10	278.0	90.0	36.0	44.0	190.0	40.0
20	300.0	100.0	40.0	48.0	204.0	48.0