

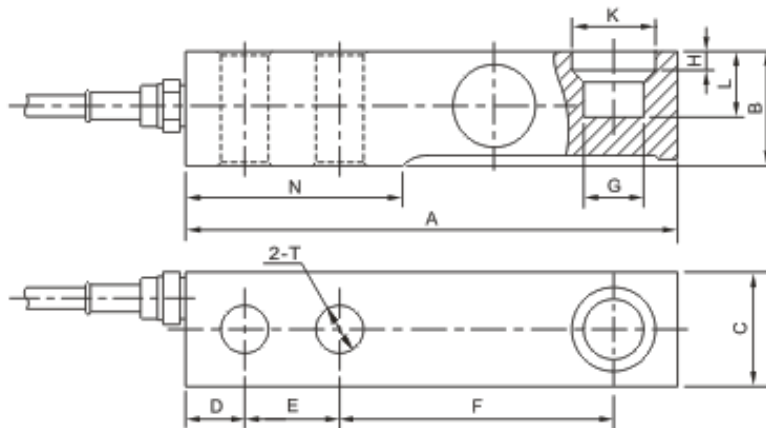


Shear Beam Load Cell Model: GX-3



Specification	
Rated Output	2.00±0.010
Nonlinearity	±0.03%FS
Hysteresis	±0.03%FS
Repeatability	±0.02%FS
Creep(30 minutes)	±0.03%FS
Zero balance	±1.00%FS
Temperature effect on zero	±0.03%FS/10°C
Temperature effect on output	±0.03%FS/10°C
Input resistance (Ω)	385±10
Output resistance (Ω)	350±3
Insulation resistance	≥5000MΩ
Excitation voltage	10V(DC/AC)
Compensated temperature range	-10~+50°C
Operating temperature range	-20~+60°C
Safe overload	120%FS
Cable	Φ5.4X6 M
Cable color code	Input: red+ black- Output: green+ white-

Materials: Alloy Steel, Stainless Steel
 Shear beam load cell, one end fixed, another end loaded. Self-centering, simple to install, easy to use, good interchangeability.
 Diverse loading, hermetically sealed, good humidity-resistance, overload protection.
 Suitable for various ultrathin electronic truck scale, one-truck crane scale, hopper scale, etc.



Capacity	Size mm											
	A	B	C	D	E	F	G	H	K	L	N	T
Klb												
0.04-4	133.0	30.5	30.5	16.0	25.4	76.2	16.0	5.0	22.0	17.5	58.0	13.0
5	136.0	37	37.0	16.0	25.4	76.2	16.0	10.0	22.0	23.0	60.6	13.0
10	171.5	42.9	42.9	19.1	38.1	95.3	22.4	11.2	35.0	29.7	76.2	20.0