



# Shear Beam Load Cell Model: GX-1



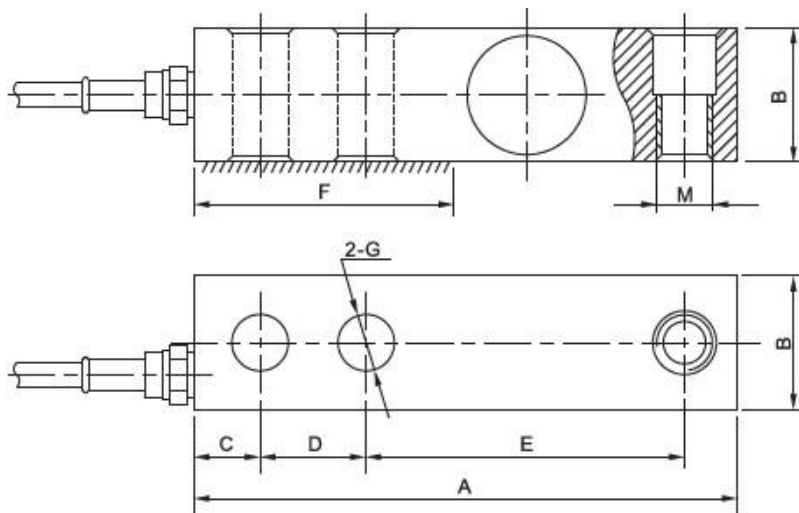
### Materials: Alloy Steel, Stainless Steel

Shear beam load cell, one end fixed, diverse loading, and good seal structure. Self-centering, simple to install, easy to use, good interchangeability.

Suitable for various ultrathin electronic truck scale, one-truck crane scale, hopper scale, etc.



Specification	
Rated Output	2.00±0.005; 3.00±0.005
Nonlinearity	±0.02%FS
Hysteresis	±0.02%FS
Repeatability	±0.01%FS
Creep(30 minutes)	±0.02%FS
Zero balance	±1.00%FS
Temperature effect on zero	±0.02%FS/10℃
Temperature effect on output	±0.02%FS/10℃
Input resistance (Ω)	385±10
Output resistance (Ω)	350±3
Insulation resistance	≥5000MΩ
Excitation voltage	10V(DC/AC)
Compensated temperature range	-10~+50℃
Operating temperature range	-20~+60℃
Safe overload	120%FS
Cable	Φ5.4X6m(10m)
Cable color code	Input: red+ black- Output: green+ white-



Capacity		Size mm							Thread M	
t	Klb	A	B	C	D	E	F	G	mm	Inch
0.05-2	0.1-5se	130.0	32.0	15.7	25.4	76.2	57.0	13.5	M12*1.75	1/2-20
2.5-5	5-10	171.5	38.0	19.1	38.1	95.3	76.0	20.0	M18*1.5	3/4-16
7.5-10	15-20	222.5	50.8	25.4	50.8	123.8	102.0	27.0	M24*2	1"-14