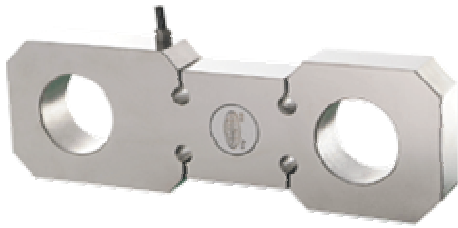




Tension Load Cell Model: ET-4



Material: Alloy Steel

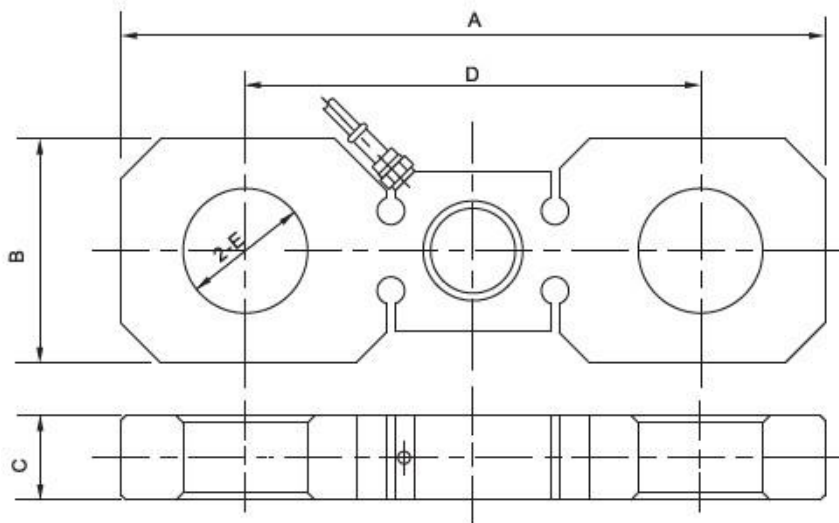
A typical board and ring type of load cell, with thin wall and blind holes structure

High quality alloy steel, with good precision

It is easily to install, with capability of strong anti-deflective load and shock resistance.

Moisture proof sealing, ideal for hostile working environment, such as lifting, crane scales, and etc.

Specification	
Rated Output (mV/V)	1.50±0.005
Nonlinearity	±0.02%FS
Hysteresis	±0.02%FS
Repeatability	±0.01%FS
Creep(30 minutes)	±0.02%FS
Zero balance	±1.00%FS
Temperature effect on zero	±0.02%FS/10°C
Temperature effect on output	±0.02%FS/10°C
Input resistance (Ω)	385±10
Output resistance (Ω)	350±3
Insulation resistance	≥5000MΩ
Excitation voltage	10V(DC/AC)
Compensated temperature range	-10~+50°C
Operating temperature range	-20~+60°C
Safe overload	120%FS
Cable	Φ5.4*1 (5)m
Cable color code	Input: red+ black- Output: green+ white-



Capacity	Size mm				
	A	B	C	D	E
t					
1-3	200.0	60.0	22.0	134.0	32.0
4	218.0	68.0	26.0	138.0	36.0
5-6	227.0	70.0	28.0	147.0	40.0
8-10	283.0	90.0	34.0	183.0	50.0
15	323.0	110.0	38.0	205.0	65.0
20	318.0	110.0	42.0	200.0	60.0
25-30	350.0	126.0	50.0	216.0	60.0
50	500.0	180.0	60.0	320.0	72.0
100	570.0	170.0	90.0	370.0	100.0