



Dimensions:175(L)x88(W)x55.5(H)mm

Features:

- Universal AC input
- RoHS compliance
- 3 - year warranty
- Over voltage protection
- Built-in fan cooled
- Over current protection
- Short circuit protection
- Reverse polarity protection
- Sparkle free design

General Specifications

INPUT

Input voltage.....100-240VAC/120-370VDC
 Input frequency47-63Hz
 Inrush current22A/115VAC
 (Cold start) 44A/230VAC



OUTPUT

Temp. Coefficient± 0.04% / °C
 Over voltage protectionAutorecovery
 Over current protection Current limited
 Short circuit protection..... Autorecovery

EMC STANDARDS

EN 55011	Class B
EN 55022	Class B
EN 61000-4-2	Level 3
EN 61000-4-3	Level 3
EN 61000-4-4	Level 3
EN 61000-4-5	Level 3
EN 61000-4-6	Level 3
EN 61000-4-8	Level 3
EN 61000-4-11	Level 3

SAFETY STANDARDS

	EN 60950 (Marking)
	UL 60335 (Meet)

ENVIRONMENTAL

Operating temperature: -20°C ~ 40°C ambient, derating each output at 2.5% per degree from 40°C to 60°C
Operating humidity: Non-condensing, 5% ~ 95%RH.
Vibration: Random vibration, 10Hz ~ 100Hz, 3axis.
MTBF: 60,000hrs Min. Per MIL-HDBK-217F, 25°C GB.

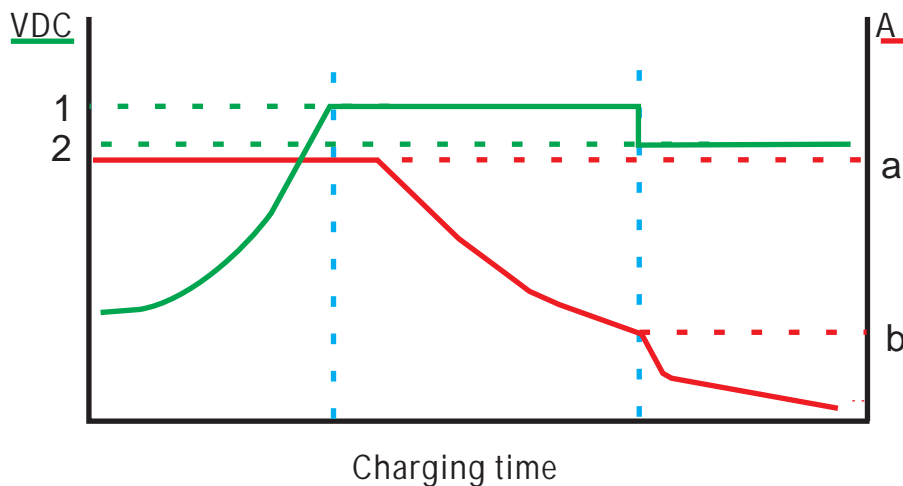
Output Specifications

Model	Charging voltage Boost	Float	Charging current (A)	Line Reg.	Load Reg.	Efficiency	Over voltage Protection
AE1150C-12FC	14.7VDC	13.8VDC	12.5A Max.	±1%	±1%	82%	18~22VDC
AE1150C-24FC	29.4VDC	27.6VDC	6.0A Max.	±1%	±1%	85%	33~37VDC
AE1150C-36FC	44.1VDC	41.4VDC	4.0A Max.	±1%	±1%	85%	47~51VDC
AE1150C-48FC	58.8VDC	55.2VDC	3.0A Max.	±1%	±1%	86%	63~67VDC

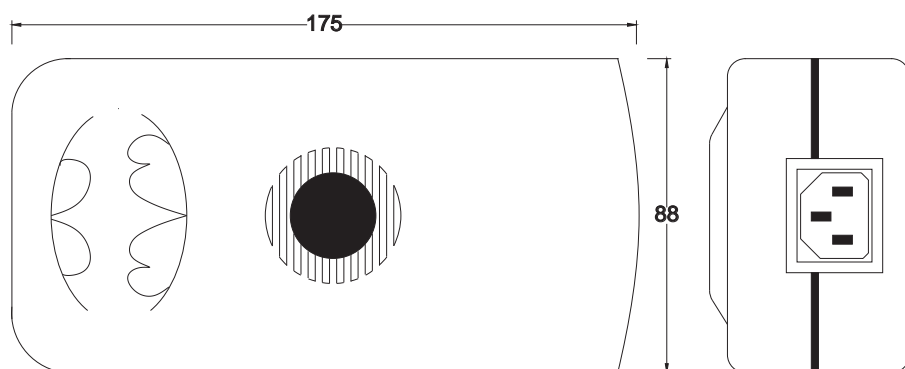
- NOTE:**
1. Line regulation is measured from low line to high line at rated load.
 2. Load regulation is measured from 20% to 100% of rated load at 230VAC input.
 3. Efficiency is measured at rated load and 230VAC input.

Charging Curve

Type Code	12V	24V	36V	48V
a (A)	12.5	6.0	4.0	3.0
b (A)	0.6	0.6	0.6	0.6
1 (VDC)	14.7	29.4	44.1	58.8
2 (VDC)	13.8	27.6	41.4	55.2



Mechanical Details



Unit: mm
 Dimensions: 175x88x55.5mm
 material: Plastic
 Input connection: IEC320 C14 socket
 DC output: 1.2m, 16AWG x2 + alligator clip