



KHP Series 2-Way Manifold Mounted Ball Valve

Specifications:

- ◆ Manifold mounted DN06 - DN50
- ◆ Steel or Stainless steel material
- ◆ Standard POM ball seal & NBR O-ring
- ◆ Working Pressure 315bar (5000psi)
- ◆ Working Temp: -25 °C ~ +100°C with standard NBR o-ring;
-30 °C ~ +170°C with specified FPM o-ring
- ◆ Standard zinc alloy crooked handle



► Model Code

KHP - 10 - 1 1 1 2 - 02X - W
(1) (2) (3) (4) (5) (6) (7) (8)

(1)Series Code: VH3V

(2)Diameter: 10, 16, 20, 25, 32, 40, 50mm

(3)Body Material: 1 = Carbon steel (standard)
2 = Stainless steel SS304
3 = Stainless steel SS316

(4)Ball Material: 1 = Carbon steel (standard)
2 = Stainless steel SS304
3 = Stainless steel SS316

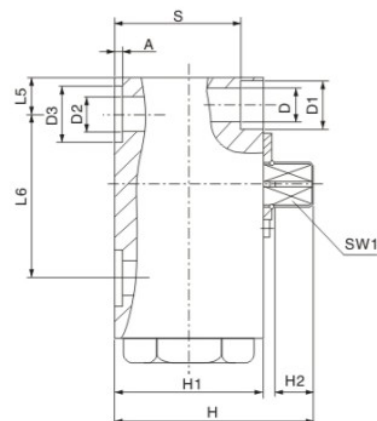
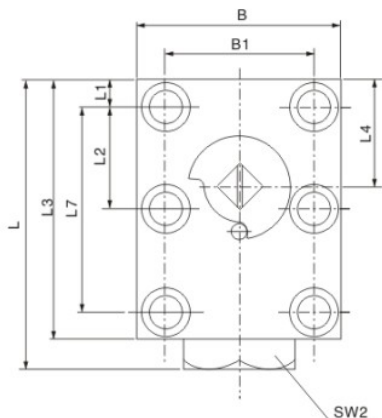
(5)Ball Seal Material: 1 = POM (Polyacetal) (standard)
3 = PTFE (Teflon)

(6)O-Ring Material: 2 = NBR (standard)
4 = FPM (Fluoroelastomer)

(7)Handle Type: 02X = Zinc alloy crooked handle (standard)
04X = Steel crooker handle
09X = Without handle

(8)Surface Disposal: W = White zinc plated
Y = Yellow zinc plated
B = Blank-phosphoric polish

► Dimensions





► **Dimension Sheet**

Model	DN (mm)	PN (bar)	LW	L	L1	L2	L3	L4	L5	L6	L7	B	B1
KHP-06	06	315	06	64	8.5	17.5	59	25	8.5	35	35	40	27
KHP-10	10	315	9.5	77	7.5	27.5	70	29	10	44	55	55	40
KHP-16	16	315	16	110	8.5	41.5	100	43	17	58	83	60	45
KHP-20	20	315	20	126	10	48.5	117	54	20	69	97	70	51
KHP-25	25	315	23.5	145	10	57.5	135	64.5	24	81	115	80	60
KHP-32	32	315	30	177	12	68	165	75.5	29	96	136	100	78
KHP-40	40	315	38	200	30	56	185	80	30	112	112	130	95
KHP-50	50	315	48	245	38	68	220	106	38	136	136	149	112

Model	SW1	SW2	H	H1	H2	D	D1	D2	D3	A	S	O-ring
KHP-06	09	22	37.5	30	8.5	6.6	11	6	11.7	1.6	23	8x2
KHP-10	09	30	58	40	8.5	9	13	9.35	15	2	31	10x2.6
KHP-16	09	34	72.5	52	8.5	9	13	16	25	2	43	20.29x2.62
KHP-20	12	41	88.5	60	11	10.5	16.5	20	30	2.5	50	23.39x3.53
KHP-25	12	46	97.5	65	11	10.5	17	23.5	35	2.5	55	28.17x3.53
KHP-32	14	55	118.5	80	13.5	13	19	30	40	2.5	67	32.92x3.53
KHP-40	14	65	118.5	93	13.5	17	25	38	48	3	77	42x3.5
KHP-50	14	/	129	110	13.5	22	33	48	55.4	2.9	88.5	49x3.5

Model	Inner Hexago Screw Thread	Torque Nm (Rub Boefficient $\mu = 0.14$ Time)
KHP-06	M6-10.9	13
KHP-10	M8-10.9	30
KHP-16	M8-12.9	35
KHP-20	M10-12.9	60
KHP-25	M10-12.9	60
KHP-32	M12-12.9	110
KHP-40	M16-12.9	300
KHP-50	M20-12.9	600