



BKH Series 2-Way Full Port SAE Flanged Ball Valve

Specifications:

- ◆ SAE Flanged DN13 - DN50
- ◆ Steel or Stainless steel material
- ◆ Standard POM ball seal & NBR O-ring
- ◆ Working Pressure 210bar or 420bar (10bar=145psi)
- ◆ Working Temp: -25 °C ~ +100°C with standard NBR o-ring;
-30 °C ~ +170°C with specified FPM o-ring
- ◆ Standard zinc alloy crooked handle



► Model Code

BKH - SAE - FS - 210 - 13 - 1 1 1 2 - 02X - W
(1) (2) (3) (4) (5) (6) (7) (8) (9) (10)

(1)Series Code: BKH

(2)Joint Standard: SAE J518C Standard

(3)Pressure Grade: 210bar, 420bar

(4)Nominal Diameter: 13, 20, 25, 32, 40, 50mm

(5)Body Material: 1 = Carbon steel (standard)

2 = Stainless steel SS304

3 = Stainless steel SS316

(6)Ball Material: 1 = Carbon steel (standard)

2 = Stainless steel SS304

3 = Stainless steel SS316

(7)Ball Seal Material: 1 = POM (Polyacetal) (standard)

2 = PTFE (Teflon)

(8)O-Ring Material: 2 = NBR (standard)

4 = FPM (Fluoroelastomer)

(9)Handle Type: 02X = Zinc alloy crooked handle (standard)

04X = Steel crooker handle

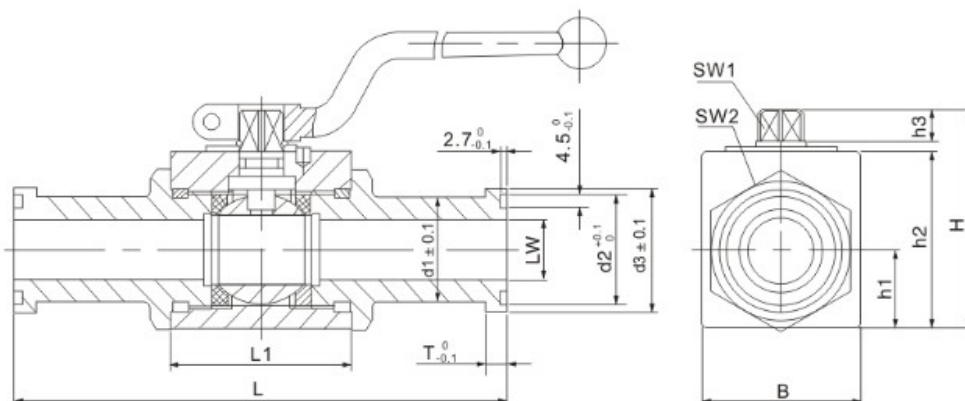
09X = Without handle

(10)Surface Disposal: W = White zinc plated

Y = Yellow zinc plated

B = Blank-phosphoric polish

► Dimensions





► **Dimension Sheet**

Model	DN (mm)	PN (bar)	LW	L	L1	B	H	h1	h2	h3	SW1	SW2	T	d1	d2	d3	o-ring
BKH-SAE-FS-210-	13	210	13	151	47	35	49	18	38	10	09	30	6.8	24	25.5	30.2	18.6x3.5
BKH-SAE-FS-210-	20	210	19	162	60	48	70	25	55	11	12	41	6.8	31.7	31.9	38.1	25x3.5
BKH-SAE-FS-210-	25	210	25	178	65	57	79	28.5	64	11	12	46	8.1	38	39.8	44.4	32.9x3.5
BKH-SAE-FS-210-	32	210	30	191	75	66	92	33	75	12	14	55	8.1	43	44.6	50.8	37.7x3.5
BKH-SAE-FS-210-	40	210	36	231	91	80	105	40	88	12	14	70	8.1	50	54.1	60.3	47.2x3.5
BKH-SAE-FS-210-	50	210	48	232	100	96	121	48	104	12	14	84	9.6	62	63.6	71.4	56.7x3.5

Model	DN (mm)	PN (bar)	LW	L	L1	B	H	h1	h2	h3	SW1	SW2	T	d1	d2	d3	o-ring
BKH-SAE-FS-420-13	13	420	13	151	47	35	49	18	38	10	09	30	7.9	24	25.5	31.8	18.6x3.5
BKH-SAE-FS-420-20	20	420	19	174	60	48	70	25	55	11	12	41	8.9	31.7	31.9	41.3	25x3.5
BKH-SAE-FS-420-25	25	420	22	198	65	57	79	28.5	64	11	12	46	9.6	38	39.8	47.6	32.9x3.5
BKH-SAE-FS-420-32	32	420	27	223	75	66	92	33	75	12	14	55	10.4	44	44.6	54	37.7x3.5
BKH-SAE-FS-420-40	40	420	32	281	91	80	105	40	88	12	14	70	12.7	51	54.1	63.5	47.2x3.5
BKH-SAE-FS-420-50	50	420	45	316	100	96	121	48	104	12	14	84	12.7	67	63.6	79.4	56.7x3.5