

Product series: CSE

MODEL 12-xx

型号 12-xx



General Characteristics

Function:

- Double pole single throw optional with:
 - Lock on
 - Safety lock
 - No lock
- Various terminal options.
- Screws, push-in terminals.
- Lock buttons and Trigger in various sizes.
- Capacitor version.

Terminals:

- Screw terminals and push-in terminals versions.
- Only Screw terminals version.
- Only push in terminal version.

Applications:

- Class II appliances such as Circular Saw, Marble Cutter, Cut-Off machine

一般的规格参数

产品功能:

- 双极单投功能,带自锁或者反自锁或者不带锁住功能。
- 接线方式有不同的选择。
- 锁的和扳机尺寸,颜色可选。
- 可选带抗干扰电容。

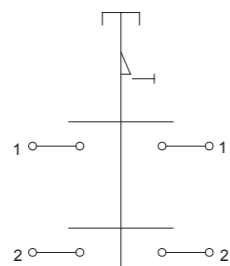
端子:

- 2个螺丝端子和2个插线端子组合。
- 4个插线端子组合。

应用:

- 使用在II类器具上,例如圆锯,云石切割机,切割锯。

Circuit Diagram 原理图

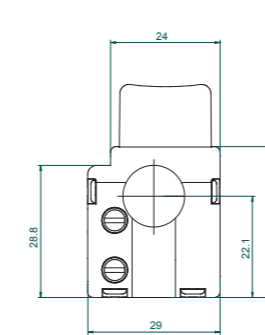


Approvals 安规认证

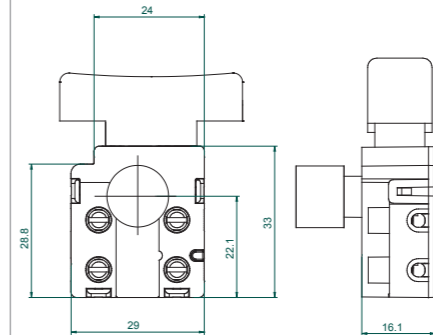
Models	Approbation:		
Mod : 12	8(8)A up to 16(16)A 125Vac 5E4	6(6)A up to 10(10)A 250Vac 5E4	6(6)A up to 10(10)A 250Vac 5E4

Switch Base Shape (开关)本体形状

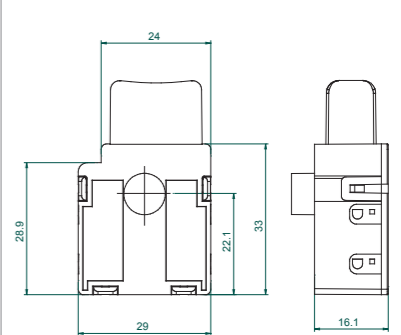
I Screw and Push-in terminals version (螺丝和插线端子版本)



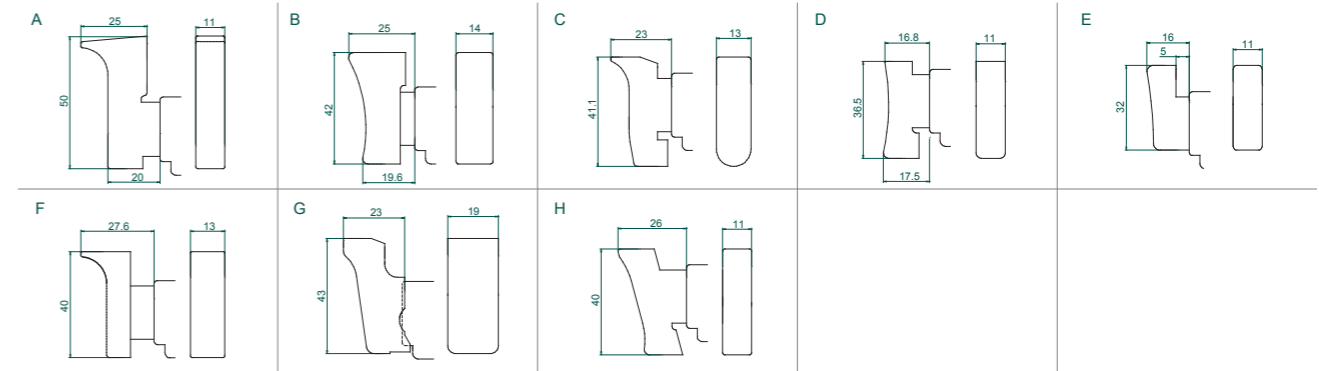
II Screw terminals version (螺丝版本)



III With Lock On or safety lock version (带锁住On或者锁住Off功能)



Triggerhead options 可选的扳机形状



Lockbutton options 可选的锁的形状

