

Product series: HP

MODEL 6 - xx VSC(B)(R)(O/O)(P)

型号 6 - xx VSC(B)(R)(O/O)(P)

General Characteristics

- Function:
- Single pole switch with speed control electronics and bypass contact.
  - Brake.
  - Also available as on/off switch.
- Optional:
- Reversing module with zero current switching rotation mode.
  - Brake function
  - Jumper wires between reversing module and main switch.
  - Potentiometer.
  - Various shapes and dimensions of triggerhead and reversing lever.

- Terminals:
- Push-in terminals.

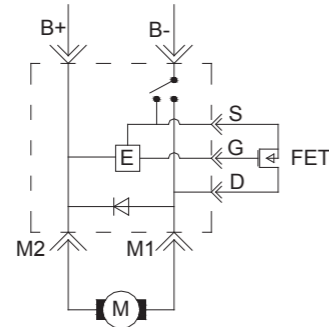
- Applications:
- Professional and DIY-products such as Drill, Jigsaw and Reciprocating saw.

一般的规格参数

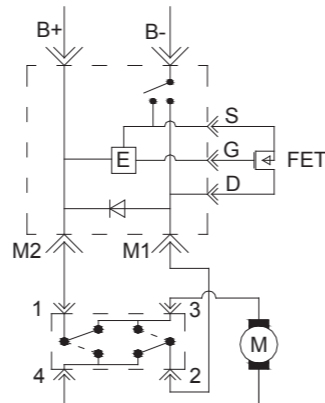
- 产品功能:
- 具有可变速度和全速控制的单极开关。
  - 刹车。
  - On-Off 版本。
- 可选择的附加功能有:
- 在断电条件中对工具进行换向的换向模块。
  - 连接换向模块和开关主体的导线。
  - 可变电阻输出。
  - 扳机和换向杆的形状和尺寸可按客户要求定制。
- 端子:
- 插线端子。
- 应用:
- 可以适用于专业类或者DIY类的工具上, 例如电钻, 曲线锯, 往复锯。

Circuit Diagram 原理图

Wire diagramA:  
线图路A:



Wire diagramB:  
线图路B:

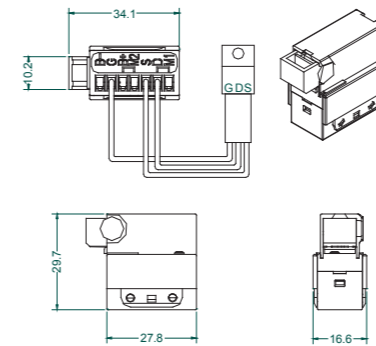


Approvals 安规认证

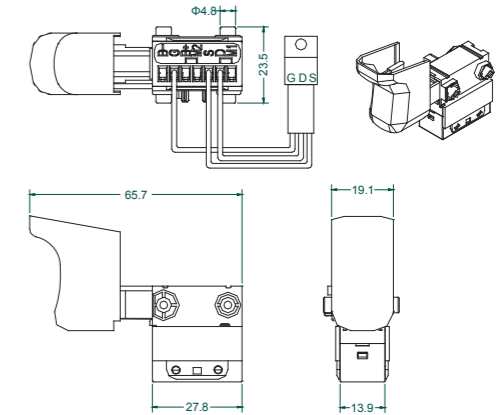
Models	Approbation:		
	UL US	CE 05	CQC
Mod : 6	8A up to 20A 12Vdc-36Vdc 5E4	8A up to 20A 12Vdc-36Vdc 5E4	8A up to 20A 12Vdc-36Vdc 5E4

Switch Base Shape (开关)本体形状

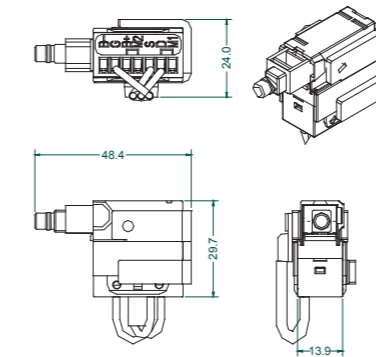
I Base shap  
(本体尺寸)



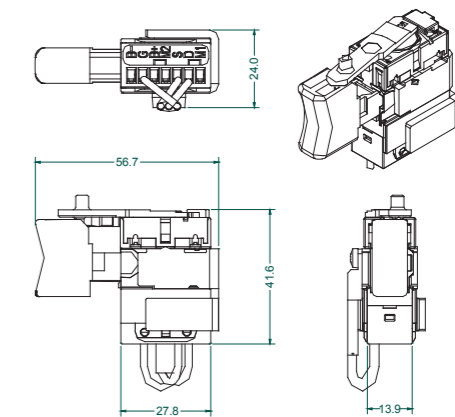
II With four mounting studs  
(两侧各有用于定位的二个定位柱)



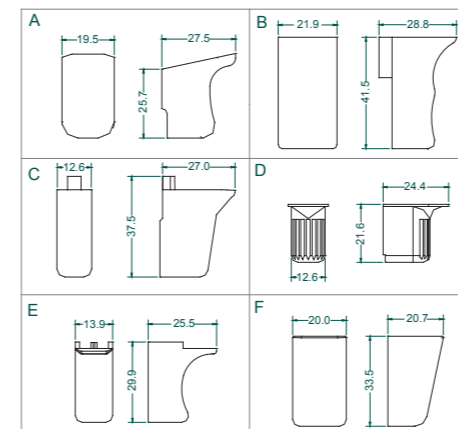
III With heatsink on switch body  
(带散热片并装配于开关主体)



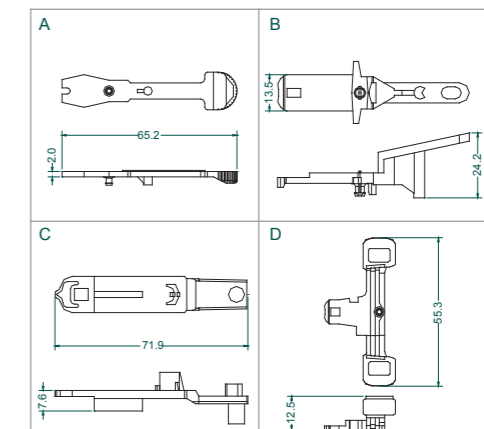
IV With reversing function  
(带换向功能)



Trigger Head Options  
(可选的扳机形状)



Lever Options  
(可选的换向杆形状)



\*HP series switches could share trigger head with US series.  
\*HP 系列开关基本上能与US系列共用扳机。

\*HP series switches could share reversing lever with US series.  
\*HP 系列开关基本上能与US系列共用换向杆。