

Product series: USO

MODEL 27 - xx VSC (P (X)(T)

型号 27 - xx VSC (P (X)(T)



General Characteristics

Function:

- Single pole switch with speed control electronics and bypass contact.
- Half wave/full wave phase control.
- Available as potentiometer and on/off version.

Option additional function:

- Lock button, various shapes and dimensions available.
- External power component for higher loads.
- Various shapes and dimensions of triggerhead.

Terminals:

- Push-in terminals.

Applications:

- Class II appliances, such as Drill, Jigsaw, Sander, Polisher, Circular Saw, Reciprocating saw.

一般的规格参数

产品功能:

- 具有可变速度和全速控制的单极开关。
- 半波输出或者全波输出。
- 仅带可变的电阻输出和ON/OFF开关版本。

可选择的附加功能有:

- 工作锁定按钮, 其形状和尺寸可按客户要求定制。
- 外置可控硅能让大电流通过开关的电子部分。
- 扳机的形状和尺寸可按客户要求定制。

端子:

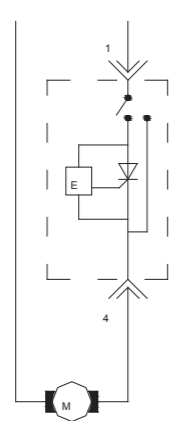
- 插线端子。

应用:

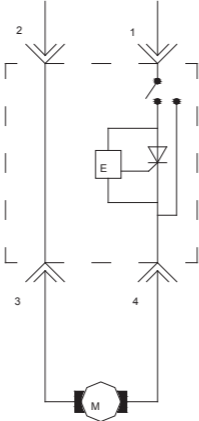
- 使用在II类器具上, 例如电钻, 曲线锯, 抛光机, 磨光机, 圆锯, 往复锯。

Circuit Diagram 原理图

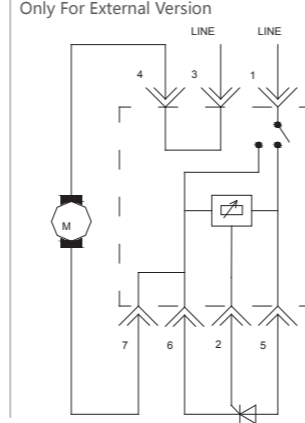
Type A
类型A



Type B
类型B



Type C
类型C

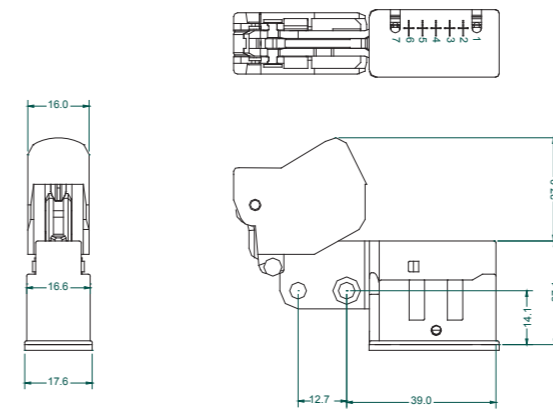


Approvals 安规认证

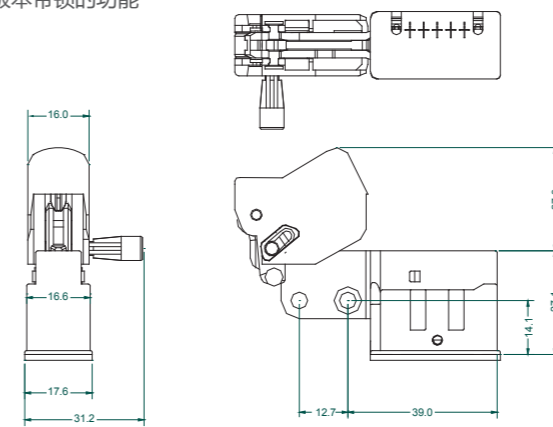
Models	Approbation:		
Mod :47	6(6)A up to 8(8)A 125Vac 5E4 8(8)A up to 13(13)A 5E4 with external power device	4(4)A up to 6(6)A 250Vac 5E4	4(4)A up to 6(6)A 250Vac 5E4

Switch Base Shape (开关)本体形状

I Internal version
内置版本



II Internal version with
Lock On
内置版本带锁的功能



II External version
内置版本

