



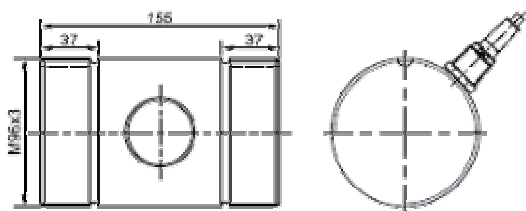
Shear Beam Load Cell

Model: GX-6

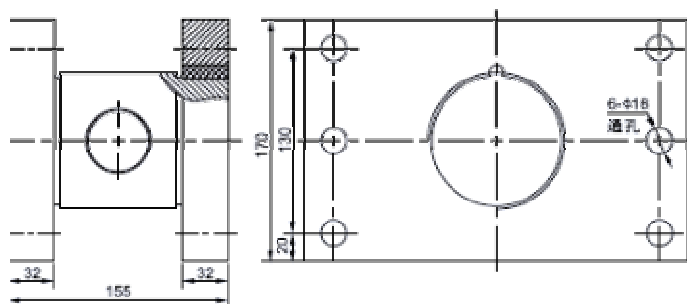


Materials: Alloy Steel

GX-6 load cell in shear beam structure made of high quality alloy steel is with high accuracy and easy to be applied, applied with special plates this load cell can be used to weigh some narrow space load.



量程 **Capacity: 7-20t**



Specification	
Rated Output	2.00±0.010
Nonlinearity	±0.05%FS
Hysteresis	±0.05%FS
Repeatability	±0.05%FS
Creep(30 minutes)	±0.02%FS
Zero balance	±1.00%FS
Temperature effect on zero	±0.02%FS/10℃
Temperature effect on output	±0.02%FS/10℃
Input resistance (Ω)	385±10
Output resistance (Ω)	350±3
Insulation resistance	≥5000MΩ
Excitation voltage	10V(DC/AC)
Compensated temperature range	-10~+50℃
Operating temperature range	-20~+60℃
Safe overload	120%FS
Cable	Φ5.4X6 M
Cable color code	Input: red+ black- Output: green+ white-