



Pressure Load Cell

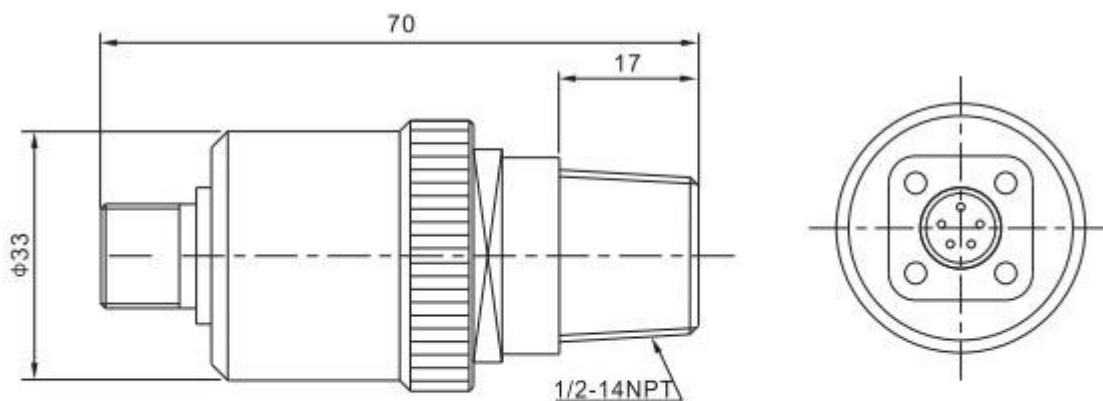
Model: CYR



| Specification | |
|-------------------------------|---|
| Rated Output (MV/V) | 1.00±0.010 |
| Nonlinearity | ±0.5%FS |
| Hysteresis | ±0.5%FS |
| Repeatability | ±0.3%FS |
| Creep(30 minutes) | ±0.5%FS |
| Zero balance | ±1.00%FS |
| Temperature effect on zero | ±0.5%FS/10min |
| Temperature effect on output | ±0.5%FS/10min |
| Input resistance (Ω) | 385±10 |
| Output resistance (Ω) | 350±3 |
| Insulation resistance | ≥5000MΩ |
| Excitation voltage | 10V(DC/AC) |
| Compensated temperature range | -10~+50℃ |
| Operating temperature range | -20~+60℃ |
| Safe overload | 120%FS |
| Cable | Φ5.4X3 M |
| Cable color code | Input: red+ black- Output: green+ white- |

Material: Alloy Steel , Stainless Steel

Pressure load cell, circinal diaphragm force-bearing. Suitable for measurement of gas, liquid pressure



量程 **Capacity:** 1,2,3,5,10,20,30,50,60,80 MPa

1kg/cm²=0.09807MPa=14.23 PSI