

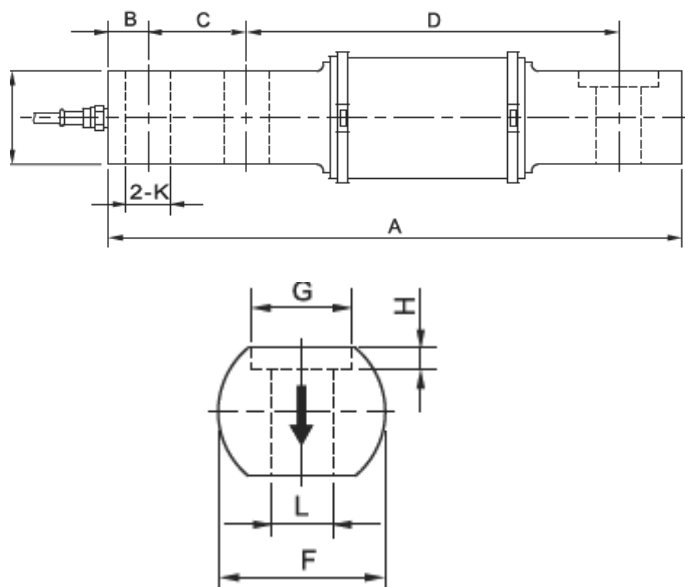
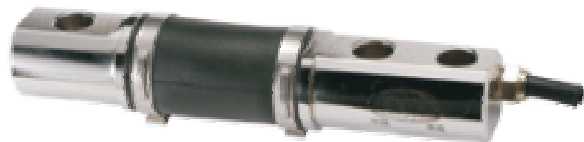


# Single Point Load Cell

# Model: PE-10

Material: Stainless Steel

Cantilever beam load cell. Tension and compression is ok, strong anti-overload rubber boot sealed, high fatigue resistance and anti-deflected loading, suitable for electronic belt scale, hopper scale and various special scales.



## Specification

Rated Output	2±0.10MV/V
Nonlinearity	±0.02%FS
Hysteresis	±0.02%FS
Repeatability	±0.01%FS
Creep(30 minutes)	±0.02%FS
Zero balance	±1.00%FS
Temperature effect on zero	±0.02%FS/10℃
Temperature effect on output	±0.02%FS/10℃
Input resistance (Ω)	385±10Ω
Output resistance (Ω)	350±3Ω
Insulation resistance	≥5000 MΩ
Excitation voltage	10 V (DC/AC)
Compensated temperature range	-10~+50℃
Operating temperature range	-20~+60℃
Safe overload	120%FS
Cable	Φ5.4X6M
Cable color code	Input: red+ black- Output: green+ white-

Capacity	Size(mm)									
	A	B	C	D	E	F	G	H	L	K
25-100	152.4	9.6	22.4	108.0	27.0	32.0	-	-	7.9	7.9
200-1000	168.4	12.7	28.5	108.0	27.0	32.0	-	-	13.0	13.0
1000Le-2500	289.0	12.7	44.5	209.6	31.8	50.8	30.4	3.1	16.0	13.5
5000-7500	323.9	19.0	50.8	215.9	70.0	89.0	35.0	4.6	19.7	20.0