



# Single Point Load Cell

# Model: PE-2



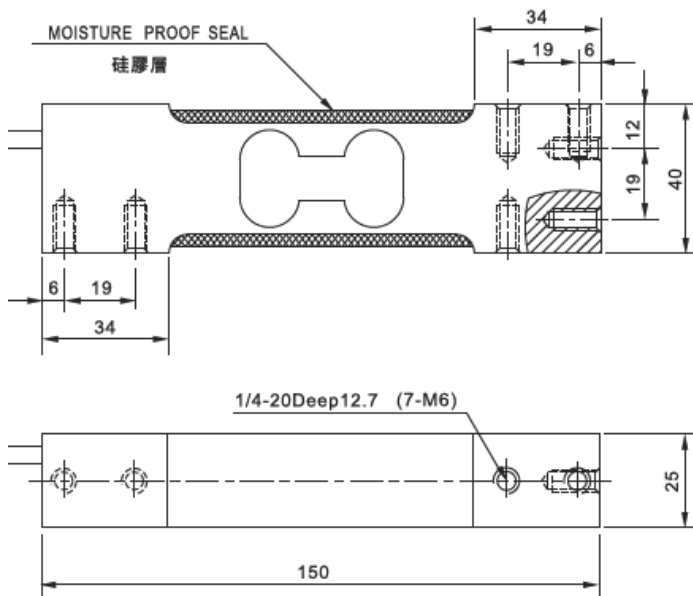
Material: Aluminum

Box type single point loading structure.

Corner adjusted before delivery to ensure consistent output in stated load plane.

Simple to install, easy to use.

Suitable for electronic platform scale, etc.



量程Capacity: 5, 10, 15, 20, 30, 50, 100, 200 lb  
3, 5, 10, 15, 20, 30, 50, 100 kg

最大稱臺面積: 400×400 mm

## Specification

Rated Output	1 ± 0.1 (0.3~3KG) 2 ± 0.1 (6~250KG) MV/V
Nonlinearity	± 0.02% FS
Hysteresis	± 0.02% FS
Repeatability	± 0.01% FS
Creep(30 minutes)	± 0.02% FS
Zero balance	± 1.00% FS
Temperature effect on zero	± 0.02% FS/10°C
Temperature effect on output	± 0.02% FS/10°C
Input resistance (Ω)	410 ± 15 Ω
Output resistance (Ω)	350 ± 3 Ω
Insulation resistance	≥ 5000 M Ω
Excitation voltage	10 V (DC/AC)
Compensated temperature range	-10~+50°C
Operating temperature range	-20~+60°C
Safe overload	120% FS
Cable	Φ 5. 4X3M
Cable color code	Input: red+ black- Output: green+ white-