



**PSC MOTOR & FAN , INC.**

**深圳桐林散热设备有限公司**

## **Specification For Approval**

### **AC-EC Brushless Axial Fan**

**Model: PF2E450137UB2M SN:102-2-00**

**Version: A02**

<b>Approval</b>	<b>Checked</b>	<b>Editor</b>
<b>Bill Bi</b>	<b>Mark Yi</b>	<b>Sammy Tang</b>

<b>Customer</b>		
<b>Customer recognition</b>	<b>Acceptance</b>	<b>Approval</b>

**China Office Address: Room 618, XingHe Building, Shajing Street, Centre Road, Bao An District, Shenzhen, China, 518104**

**Headquarter: 3000 Paseo Mercado, Unit 104, Oxnard ,CA 93036, USA.**

**China: Tel: +086-755-29541400**

**Fax: +086-755-29541195**

**USA: Tel: (805) 9838300**

**Fax: (805) 9838400**

**Website : [www.pscmf.com](http://www.pscmf.com)**

**E-mail : [sales@pscmf.com](mailto:sales@pscmf.com)**



## DATA SHEET

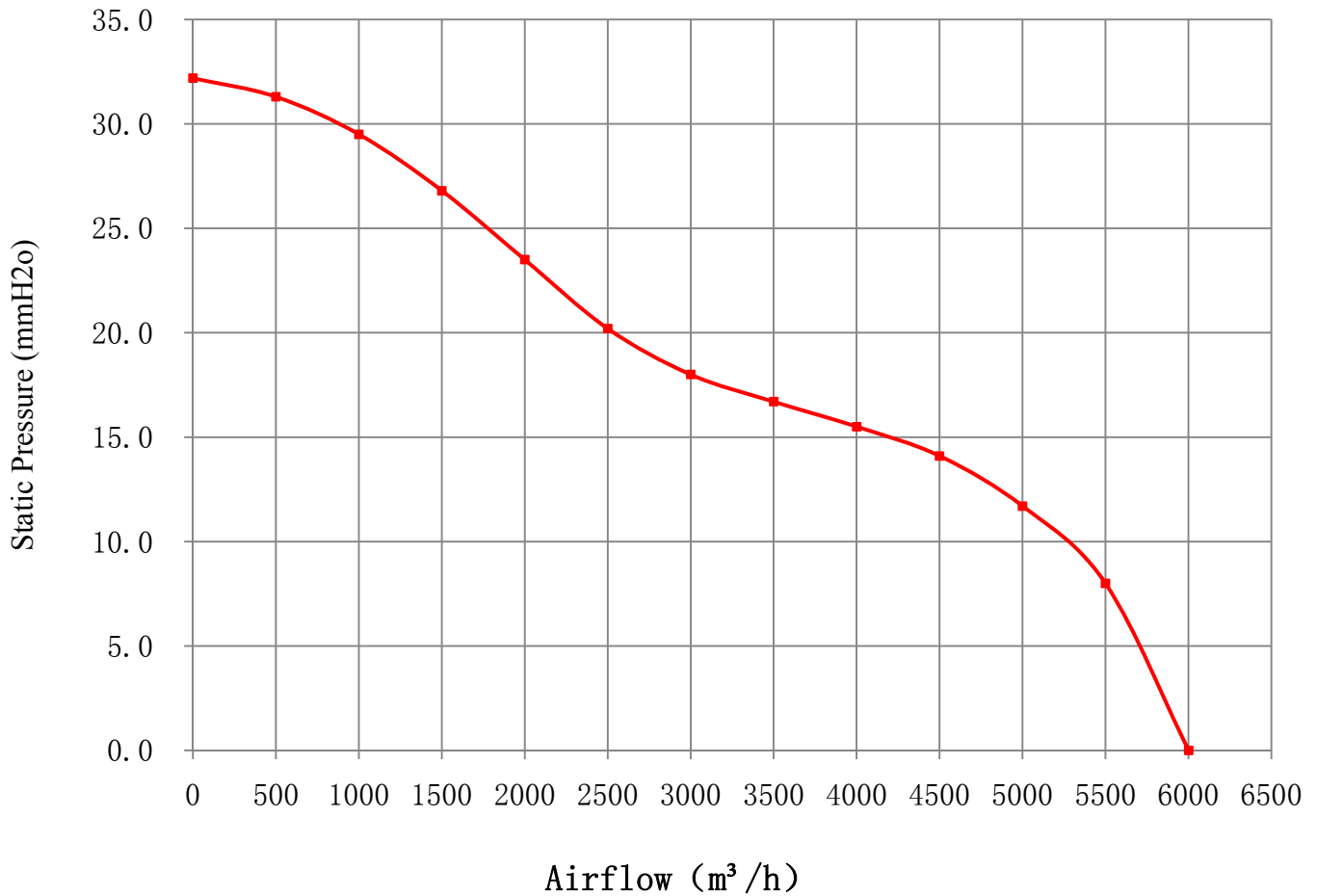
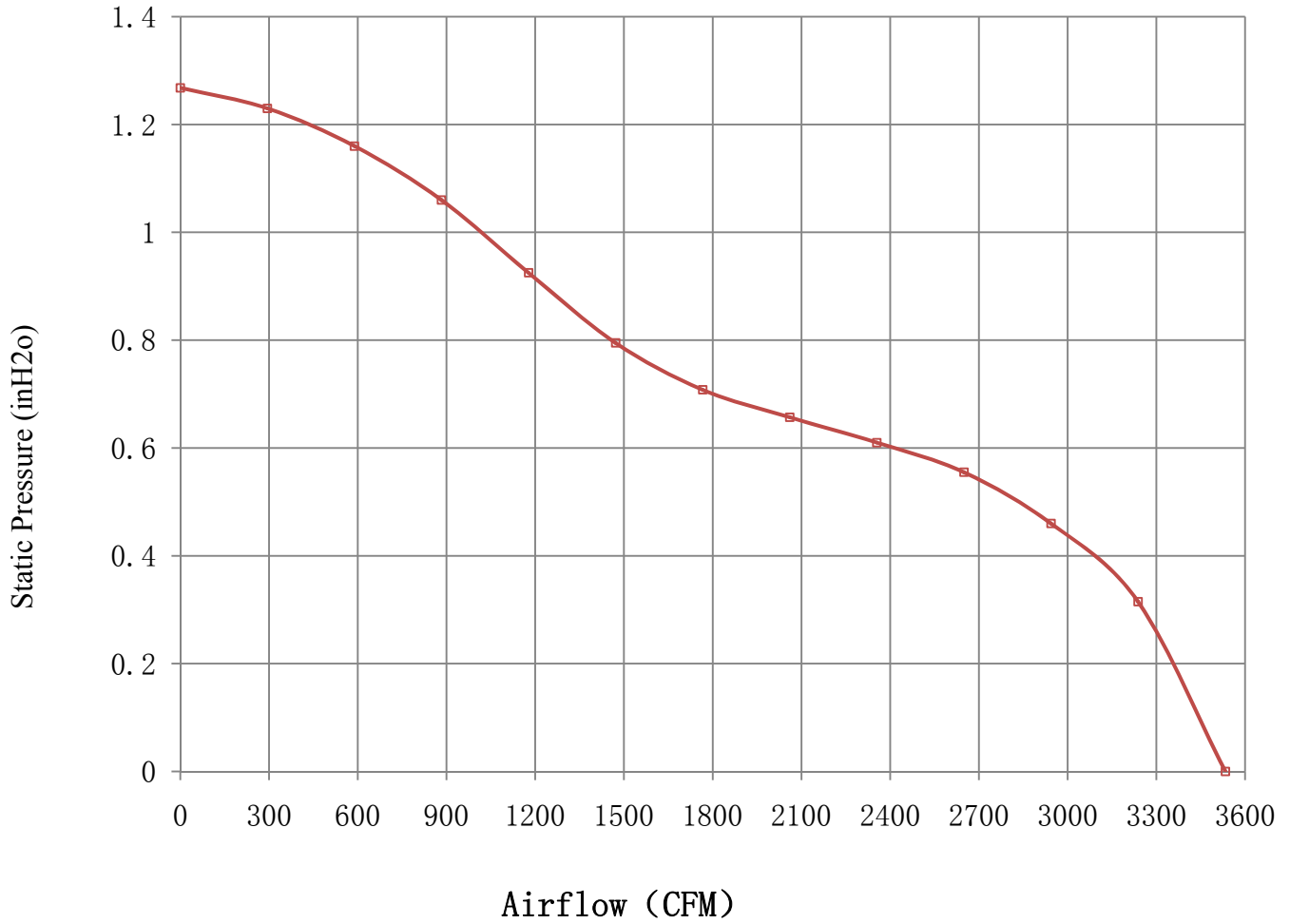
Model : PF2E450137UB2M	Date:2012-06-26
Customer:	SN:102-2-00
Customer P/N:	Version: A02

Safety:

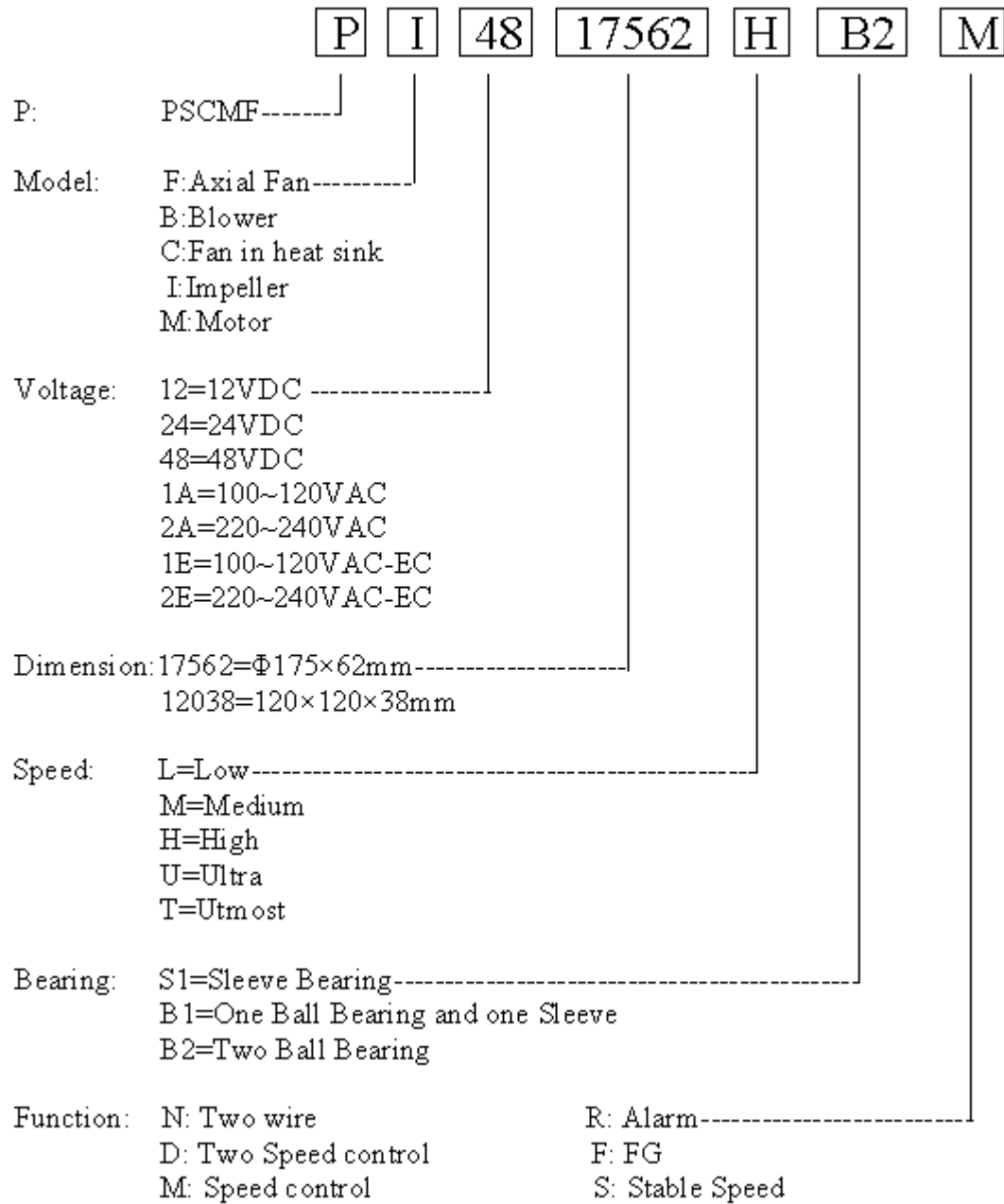
### SPECIFICATION

1. Dimension	Φ450×140 mm
2. Bearing System	2 Ball Bearing
3. Rated Voltage	230VAC 50/60 Hz
4. Operating Voltage	184~276VAC
5. Starting Voltage	184 VAC
6. Input Current	3.2A
7. Input Power	480W
8. Rated Speed	1950±5% RPM
9. Rotation	Clockwise, seen on rotor
10. Air Flow	3533.5CFM (6001.8m³/h)
11. Static Air Pressure	1.27inH2O (32.2mm H2O)
12. Soft Start	Yes
13. Speed Control	PWM or 0~10VDC
14. Tachometer Output	Open collector, 9 Pulses/Rev
15. Auto Restart	Yes
16. Alarm Output	No
17. Noise Level	76dB(A)
18. Lead Wire	Variable
19. Connector	No
20. Ambient temperature	-20~60℃
21. Life Expectance	40,000 hours continuous operating at 25℃
22. Insulation class	"A"
23. Operation mode	Continuous operation (S1)
24. Type of protection	IP32
25. Number of blades	5
26. Dielectric Strength	1500VAC, 1 min, Leakage curren ≤3.5mA
27. Net Weight	7850g
28. Packing	/

# PERFORMANCE CURVES



# MODEL NUMBERING SYSTEM



# Notes

- 1.** PSCMF will not guarantee the products if the application of our products has exceeded the limitation which is specified on this specification.
- 2.** Please do not touch the impeller with pressure and never handle the fan by the leadwires. The bearings and lead wire may be damaged.
- 3.** PSCMF does not guarantee the product against the safety problems or failures caused by powder dust, drops of water or any object impeding the blade
- 4.** If there is any data or related documentation different from this data sheet, this data sheet is the principal reference.
- 5.** For the purpose of MIS, please indicate SPEC No. on every order.
- 6.** In case the fan has no polarity protection function, wires with the same color(electrode) must be connected together during the assembly. (i.e: red+red, black+black) or the fan will be damaged immediately.
- 7.** Please do not use the fan in the environment of corrosive gas, liquid or any detrimental gas.
- 8.** Please do not store the fan in an environment of high/low temperature , high humidity or any detrimental gas. Please store the fan within 6 months , every 6 months there should be linkage of electrical current to the fan, even though the fan is stored in room temperature.
- 9.** While the fan is in operation, please do not lock the fan intentionally for a long period of time, because the continuous stoppage will over-heat the IC and thus burn-out of the fan.
- 10.** During the installation of the fan, please pay substantial attention to possible noise caused by resonance vibration.

