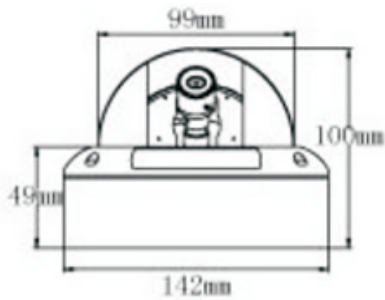


**Parameters:**

- ◆1080P resolution
- ◆Standard 3.3-12mm varifocal lens.
- ◆H.264 video compression
- ◆Progressive scan CMOS
- ◆ICR Filter Auto switch
- ◆21 xΦ5pcs LED,20M IR distance
- ◆Free client software (UC2) , Free SDK



Model Number	AX-500VQB-IP
Image Sensor	1/2.5" CMOS, 1080P, up to 5.0 megapixel.
Effective Pixels	2592*1920
Frame Rate	10fps(2592*1920), 17fps(2048*1536), 25fps(1920*1080)
System Structure	Embedded RTOS design, Dual Core 32 bit DSP(T1 DM368),Hard Compression, Watch Dog,32M FLASH,128M DDR2
Image output	Main code stream: 2592×1920,2048×1536,1920×1080,1600×1200,1280×1024,1280×960,1024×768,1280×720 ; Sub code Stream: 320×240,352×192,320×192,288×192,256×192
Network port	RJ45, 10/100M
Minimum Illumination	0Lux (IR on)
Electronic Shutter Speed	1/25s~1/20,000s
Lens	Standard 3.3-12mm varifocal lens.
Video Output	1Vp-p Composite Output (75 Ohm, BNC)
Video	H.264 Compression, Dual Streaming AVI format,Steaming: 500Kpbs~8Mbps(adjustable);Frame Rate:1~25fps/s(Adjustable)
Max Image Resolution	2592*1920
Anti-flicker	Support
Motion Detection	Support
Password Protection	Support
Protocols	RTSP/FTP/PPPOE/DHCP/DDNS/NTP/UPnP
Power Supply	DC12V
Working Temperature	-10°C~60°C (14°F~140°F)
Dimensions	D142*H99(MM)
Net weight	1.27KG
Color	White

Specifications are subject to change without notice.