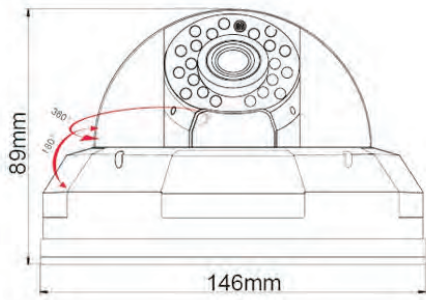


## Key Features

- ◆ Dimensions: D146 × H89 (MM)
- ◆ Net Weight: 1.12KG
- ◆ 4-9MM Varifocal Lens (Standard Configuration)
- ◆ 21pcs Φ5 LED , 20-25M IR Distance
- ◆ Color: Silver
- ◆ DC12V
- ◆ Optional: 1/4"SHARP 420TVL  
 1/3"SHARP 420TVL  
 1/3"SONY 420TVL  
 1/3"SONY 540TVL  
 1/3"SONY Mona Lisa 600TVL  
 1/3"SONY EFFIO-E 700TVL



Model	AX-540VE	AX-420VE
Pick-up Device	1/3"SONY CCD	1/3"SONY CCD
Number Of Pixels	PAL:752H×582V NTSC:768H×494V	PAL:500H×582V NTSC:510H×492V
Resolution	540TVL	420TVL
System	PAL / NTSC	
Horizontal Scanning Frequency	PAL:15.625KHZ / NTSC:15.734KHZ	
Scan System	2:1 Scan	
Min. Illumination	0LUX (IR on)	
Sync System	Internal	
S/N Ratio	48 dB	
Electronic Shutter	PAL:1/50-1/100,000sec;NTSC:1/60-1/100,000sec	
GammaModification	0.45	
Video Output	1 Vp-p,75 Ohms	
AGC	YES	
IR Distance	20-25M	
Lens	4-9MM Varifocal Lens (Standard Configuration)	
Supply Voltage	DC12V(+/-10%)	
PowerConsumption	300mA	
Operation Temp.	-10℃to+45℃	
Color	Silver	

Specifications are subject to change without notice.