

IEC-516PM

Desktop Network Security Platform for SOHO Solution



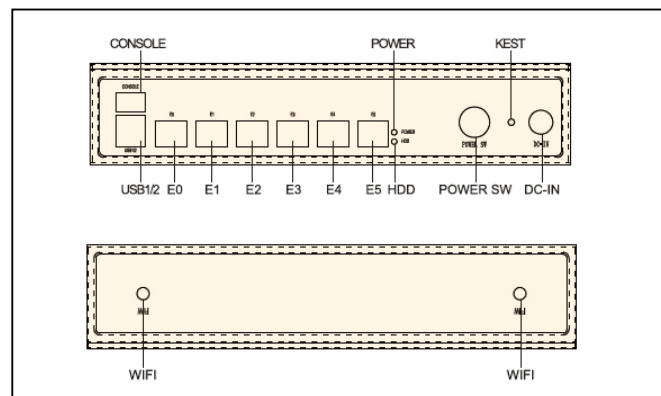
Specifications

System	
Construction	Mini aluminium magnesium alloy case
CPU	Intel Atom D525 Dual Core 1.8GHz Processor
Chipset	Intel PineView-D + ICH8M
BIOS	AMI SPI BIOS
System Memory	2x 204-Pin DDR-III at 800/1066Mhz SO-DIMM, Up to 4GB
Display Chip	Built-in
Ethernet Chip	Onboard 6x Intel82574L(82583V) Gigabit Ethernet Chip
Wireless Network	Wifi/3G module (Optional)
I/O Chip	ITE8718F
Lan BYPASS	1 segment BYPASS(Optional)
Watchdog timer	255 Generates a time-out system reset
Dimensions	200x260x44 mm
I/O Interface	
IDE Interface	1x 44-Pin IDE Interface
SSD	1x CF Slot
SATA Interface	3x SATA Interfaces
LAN Ports	6x Intel82574L Glan (RJ-45 ports)
USB Ports	2x USB2.0 in front panel and 6x built-in
COM	1x RJ-45 COM in Front Panel, 1x Built-in COM
Display Ports	1x VGA
Keyboard/Mouse	1x Built-in PS/2
PCI Expansion Slot	1x PCIeX1, 1xPCI, 1x Mini PCIE
Environmental Specifications	
Opererating Tempreture	-20 °C to 60 °C
Storage Humidity	5% to 95%@ 40°C , on-condensing
Vibration	5-17Hz/1mm amplitude, 17-640Hz/1.5g acceleration
Shock	10G peak acceleration (11 msec. duration)
Safty	FCC/VDE(Level A)
Operation System	Support Microsoft, FreeSBD, Novell, Redhat, SOC, Linux

Features

- Intel PineView-D + ICH8M Chipset
- Intel Atom D525 Dual Core 1.8GHz Processor
- 2x 204-Pin DDR3/800/10066 SO-DIMM, Up to 4GB memory
- 6x Intel gigabit ethernet controller, supporting 1 segment bypass
- Supports wide votage 12v~24v DC in
- Supports HSDPA/HSUPA 3G module expansion
- 1x PCIeX1, 1xPCI and 1x Mini PCIE expansion slots
- Support DOM, SATA, CF Storage
- 802.11 b/g/n wifi module for wireless lan(Optional)

Front/Rear Panel Diagram



Ordering Informations

Model No.	Descriptions
IEC-516PM-010E	IEC-516PM chassis,IEC-817N6V(6+1) motherboard, 120W power adapter
IEC-516PM-020E	IEC-516PM chassis,IEC-817N6V(5+1) motherboard, 120W power adapter, wifi module

Dimensions Diagram

