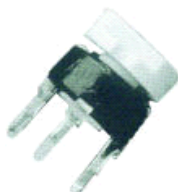
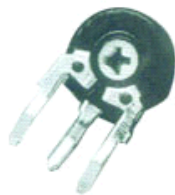
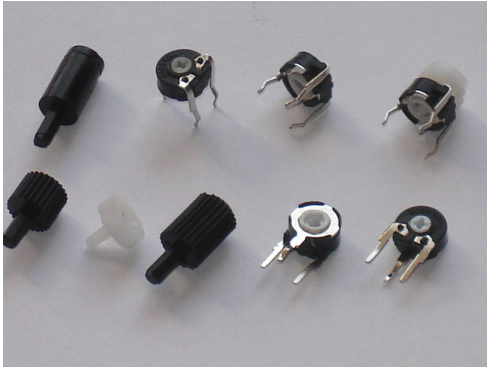


**BOS****PT06 Carbon Trimmer potentiometer****FEATURES**

Carbon resistive element  
 Dust proof enclosure  
 Polyester substrate  
 Low cost  
 Long life (10000cycles)  
 Simple construction

**TYPICAL APPLICATION**

PCB, panel, lathe machinery instrument,  
 automobiles, sounders

**MAIN SPECIFICATION**

Range of value: 100~5M ohm

Tolerance: 100~1M ohm.....-20% to +20%

1M~5M ohm.....-30% to +30%

( Non standard tolerance, upon request)

Residual resistance:  $\text{lin} \leq 5 \cdot 10^{-3} R_n$  (2ohm min)

$\text{Log lin} \leq 1 \cdot 10^{-3} R_n$  (2ohm min)

$\text{Fin} \leq 2 \cdot 10^{-3} R_n$  (2ohm min)

Contact resistance variation:  $\leq 3\% R_n$

Contact resistance:  $\leq 5\% R_n$

Max voltage: 100V(lin); 60V(no lin)

Power rating: 0.06W ~0.10W@ 70°C

(depending on models)

Operating temperature: - 25°C ~+70°C

Taper: Linear, Log, Alog

Temperature coefficient: +500ppm/°C (100~100K ohm)

Wiper torque: 0.2~2Ncm

Angle of rotation(mechanical): 235 °+10 °

Electrical Life:  $\leq +4\%$

Mechanical Life: +7%(100~1M ohms)

+8%(1M~5M ohms)

Solderability:  $\geq 95\%$  of surface covered

Damp heat:  $\leq +6\%$

Temperature cycling:  $\leq +5\%$

Soldering effeor:  $\leq +2\%$

Vibration:  $\leq +2\%$

**HOW TO ORDER**

e.g.: **PT06KV105A2020EGR**

<b>PT06</b>	<b>K</b>	<b>V</b>	<b>105</b>	<b>A</b>	<b>2020</b>	<b>E</b>	<b>GR</b>
<b>Series</b>	<b>Rotors</b>	<b>Mounting Method</b>	<b>Value</b>	<b>Taper</b>	<b>Tolerance</b>	<b>Life</b>	<b>Knob/rotor colour</b>
PT06	K	H	101=100ohm	A=Lin	2020=±20%	Standard	RO=Red
	M	(H=horizontal	221=220ohm	B=Log	3030=±30%	200,500	NE=Black
	X	adjustment)	104=100Kohm	C=Alog	1010=±0%	Long life	VE=Green
	W	V	105=1Mohm		0705=+7%~-5%	10000(E)	AZ=Blue
	(See note 1)	(V=vertical adjustment)	505=5Mohm (See note 2)		(See note 3)		GR=Grey (See note 4)

Note:

(1) Adjustment type: "X" is only available with horizontal adjusting method.

(2) Value: Code  $\underline{10} \underline{5}$  = 1000000 ohm  
 Number of zeros  
 First two digits

(3) Tolerance(non standard): Upon request: Code e.g.  $\begin{matrix} +7 \\ -5 \end{matrix}$  =  $\underline{07} \underline{05}$   
 Negative tolerance  
 Positive tolerance

(4) Potentiometer without knob, only the rotor. Potentiometer with knob, only the knob.

**STANDARD OPTIONS**

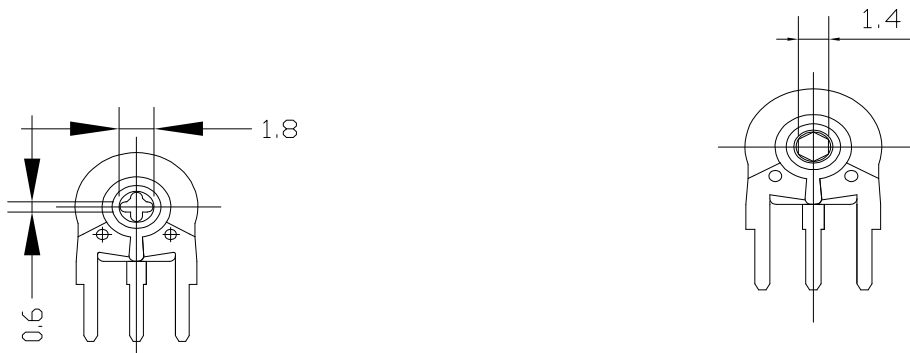
- Mechanical life.....200cycles
- Packing.....Bulk
- Rotor colour.....White
- Wiper position.....Initial

**HOW TO ORDER CUSTOM DRAWING**

PT06KV221 + DRAWING NUMBER

This way of ordering should be used for options which are not included in the "HOW TO ORDER" standard and optional extras.

**ROTORS**



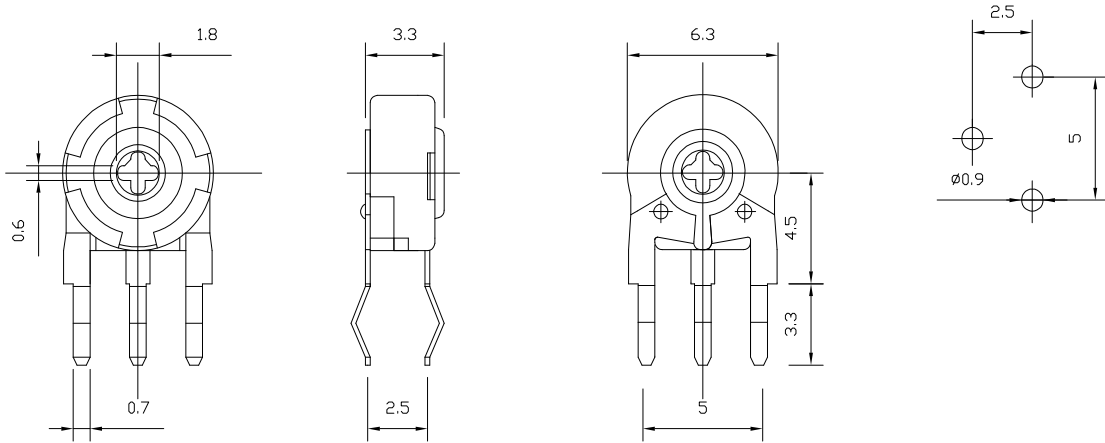
0-5 50-50 5-0-5 0-5 0-5 0-5

M=Hexagonal thru hole

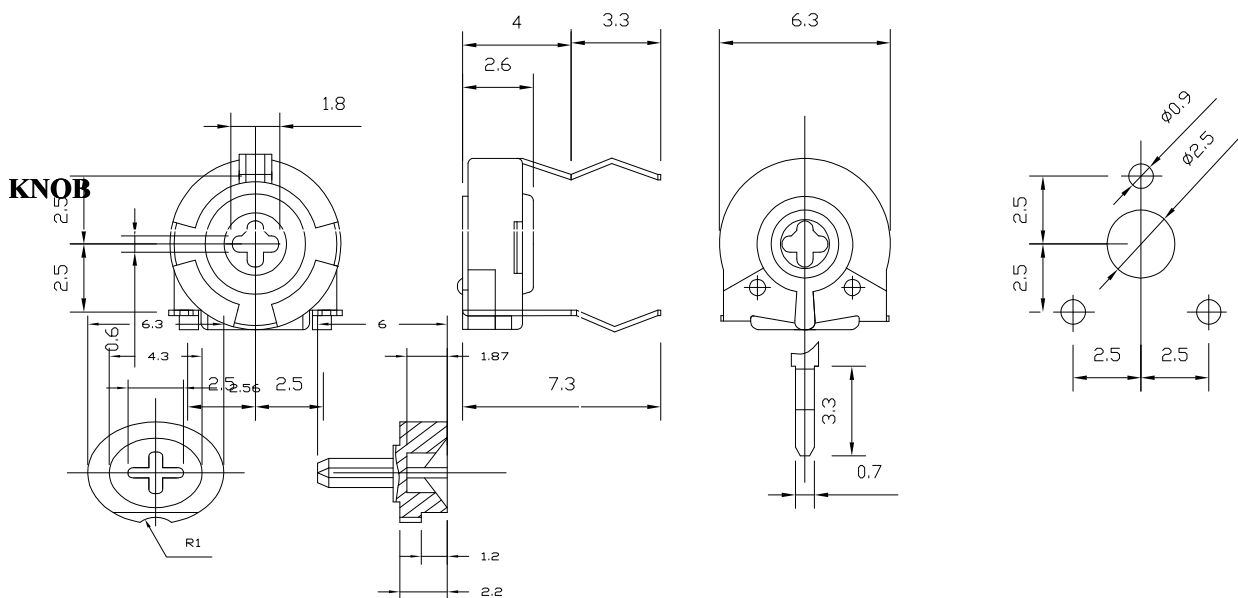


**MOUNTING METHODS.VARIATIONS**

VERTICAL MOUNTING-HORIZONTAL ADJUST MENT



HORIZONTAL MOUNTING-VERTICAL ADJUST MENT



>

**PACKAGING**

MODEL	UNITS
ALL	1,000

NOTE: Out of range values may not comply with these results