



安阳锻压机械工业有限公司（原安阳锻压设备厂）是一家具有50年生产历史的锻压设备制造厂，拥有先进的技术装备和优秀的科技人才及良好的设计、制造工作环境。主要产品有金属屑压块机、金属液压打包机、空气锤、电液锤、液压铆接机等产品，其中空气锤、液压铆接机分获“国优”、“省优”称号，企业通过ISO9001：2000认证，两种产品获得国家旨在保护名优产品的“原产地标记准用证”证书，是国家二级计量单位。

作为国内第一台金属屑压块机的研发和该行业唯一一家向用户发表“质量保证声明”的单位，几十年始终坚持“质量第一，用户至上”的宗旨，建立有完善的质量保证体系，做到了每台产品出厂前经过严格试车，出厂合格率达到100%合格。产品远销世界56个国家和地区，深受用户信赖。形成了国内产品规格最全、销售量最大的市场竞争优势。

公司地处中国历史文化名城安阳，人杰地灵，交通便利，安锻人奉行团结、奉献、拼搏、创新的企业精神，崇尚事业志士，愿与同仁携手共勉，走向未来。

## 企业简介

Anyang Forging Press Machinery Industry Co., Ltd (original Anyang Forging Press Equipments Plant) has a history of 50 years in producing the forging press equipments. Our company has advanced technique and accurate equipments and excellent technical engineers and convenient environment of design and production. The main products include the hydraulic metal scrap briquetting press, hydraulic metal baling press, hydraulic riveting machine, forging hammer and electro hydraulic forging hammer etc. Our company has passed the ISO9001 Certification. Our pneumatic forging hammer was awarded the National High Quality Products and our hydraulic riveting machine was awarded the Provincial High Quality Products. There are two kinds of products awarded the Original Certificate in order to protect the high quality well-known goods. We are the second grade unit of measurement.

As the manufacturer of first set metal scrap briquetting press and the only one committing the quality guaranty to clients, we have adhered to the principle Quality First, Clients paramountcy through decades years. Meanwhile, we have established perfect and strict quality inspection system, and every product is tested carefully and inspected strictly and Its eligibility rate is 100% before leaving factory.

Till now, We have exported our hydraulic metal scrap briquetting press, hydraulic metal baling press and other products to USA, Canada, UK, Germany, Italy, Czech Republic, Australia, Norway, Indonesia, Myanmar 56 countries etc . We have very good reputation among the customers all over the world. We have good quality and competitive price.

Our company locates in Anyang city, Henan province, China. Our city is a famous historical and cultural city which has convenient transportation and hospitable people. We like doing business with the friends all over the world and hope we can develop our business together.

# Y83系列金属屑压块机

## Y83 series metal scrap briquetting press



Y83金属屑压块机  
Y83 Metal scrap briquetting press



YA83金属屑压块机  
YA83 Metal scrap briquetting press

### 压块机技术特点

- 电气部分采用PC控制，抗干扰性强，自动程度高，操作简单。
- 液压站采用整体式集成阀块及大口径插装阀，杜绝了油的渗漏，降低了系统的油温，提高了系统稳定性。
- 机架部分采用整体铸钢件，杜绝了钢板焊接件的开裂，提高了设备的可靠稳定性和使用寿命。
- 油缸采用串联式油缸，提高了运动速度和生产效率。
- 根据用户工况另带螺旋自动送料器，链条式自动出料器，降低了工人劳动强度。

### The main technical features:

- Electric part is manipulated by PC system, the anti-interference is strong, automation is high and operation is simple.
- Hydraulic station adopted the entirety-typed integration valve block and large diameter cartridge inserted valve, this stopped the oil leakage and lowered the oil temperature of system, and enhanced the stability of system.
- Body part adopted the entirety cast steel products, and stopped the cranking of steel plate weld assembly, and enhanced the stability of machine and lengthened the longevity.
- Oil cylinder adopted the tandem type cylinder, enhanced the velocity of movement and production efficiency.
- According to the users' working condition, the user can provide spiral automatic feeder machine, chain type automatic discharge machine, and eased the workforce intensity.

### 主要技术参数 (The main technical parameter)

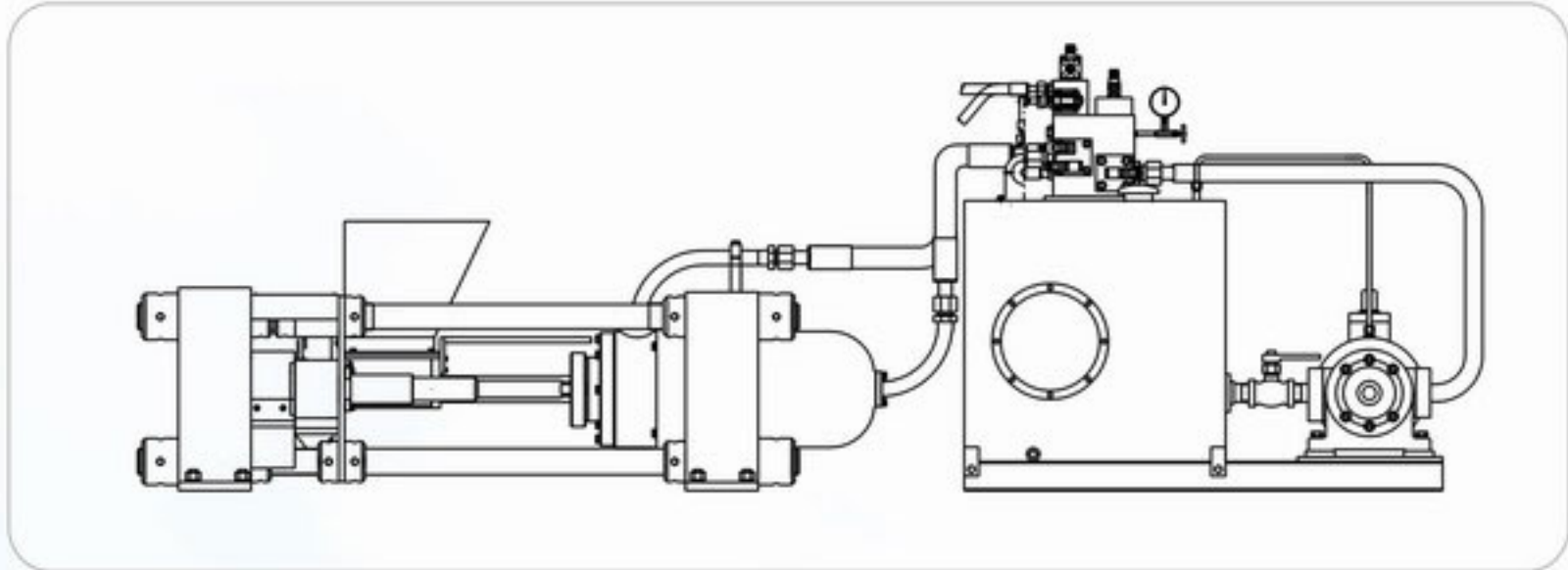
型号 Name	JYY83-160	Y83-160A	Y83-230	Y83-300	YA83-300
公称力 (KN) Nominal force	1600	1600	2300	3000	3000
压块尺寸 (mm) Briquetting size	φ 90X ( 60-85 )	φ 90X ( 60-110 )	φ 110X ( 70-120 )	φ 120X ( 70-120 )	φ 120X ( 120-140 )
压块密度 (kg/m³) Briquetting density	≥5200-5400	≥5200-5400	≥5200-5400	≥5200-5400	≥5200-5400
工作压力 (mpa) Working pressure	23	16	23	21	26.5
生产率 (t/h) Production Rate	0.6-0.9	0.6-0.9	1.0-1.5	1.2-1.8	2.0-2.5
总功率 (kw) Total Power	24.2	24.2	39.2	47.2	49
机器质量 (kg) Machine weight	4500	6000	7500	8800	7500
机器外型尺寸 (mm) Machine outside Size	4900X1470X1522	4100X1086X2006	4100X1086X2006	5000X1600X2600	4000X1400X3700
冷却器 Cooler	根据用户需求自行装备 Customer self prepare				
螺旋送料器 Helix feeder	根据用户需求自行装备 Customer self prepare				
链条出料器 Chain discharge device	根据用户需求自行装备 Customer self prepare				
防尘罩 Guard cover	根据用户需求自行装备 Customer self prepare				

# JYY83系列金属屑压块机

## JYY83 series economical metal scrap briquetting press

### JYY83经济型金属屑压块机

JYY83 economical metal scrap briquetting press



### 适用性

在不加任何添加剂的情况下，可将各种颗粒、粉末状的铸铁、铝、铜、镁、钛、钼等压制成为高密度压块，直接投炉冶炼，大大降低了成本费用。

### Adaptability

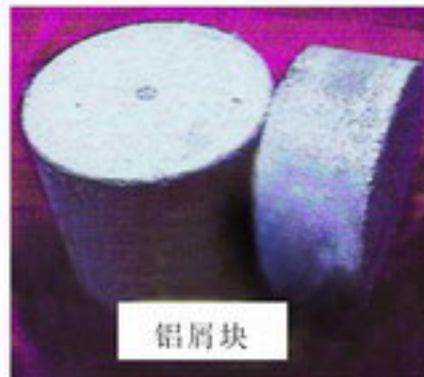
On the condition of not adding additive, the briquetting press can compress all kinds of particle and powder of cast iron, aluminum, copper, magnesium, titanium, molybdenum etc, and the high density metal block. It can be put into blast furnace directly, decreased the cost dramatically.

### 系列金属屑压块机压块样品 (Briquetting sampel piece)



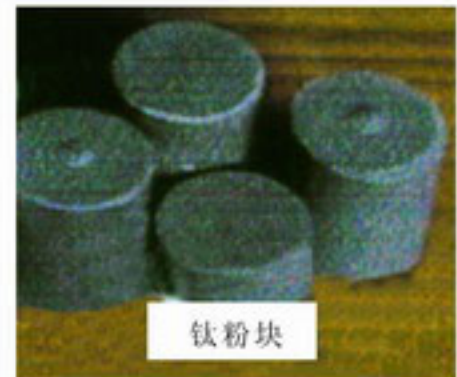
镁屑块

Magnesium chip block



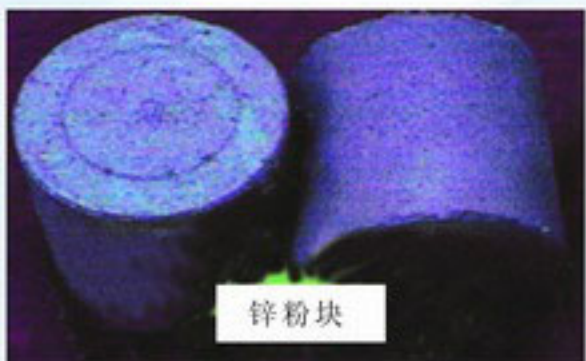
铝屑块

Aluminum scrap block



钛粉块

Titanium scrap block



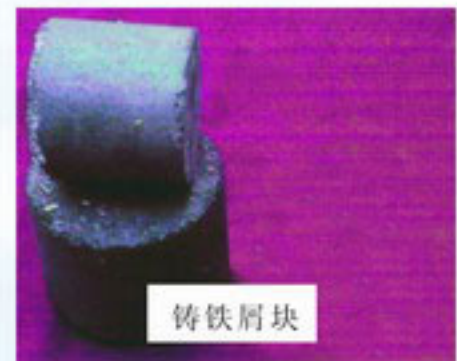
锌粉块

Zinc scrap block



铜屑块

Copper scrap block



铸铁屑块

Cast iron scrap block

# 精良的装备、优良的品质、完善的体系、良好的信誉

## Perfect equipments, excellent quality and excellent credit



半成品库  
Spart parts store house



科研中心一角  
Part of technic department



大件加工车间一跨  
Part of big parts machining shop



热处理车间一角  
Part of heat treatment shop

公司目标——技术创新第一、产品质量第一、产品销量第一、售后服务第一 >>>>>>>>>>