

# DS-22RP180 DC GEAR MOTOR Series DongShun



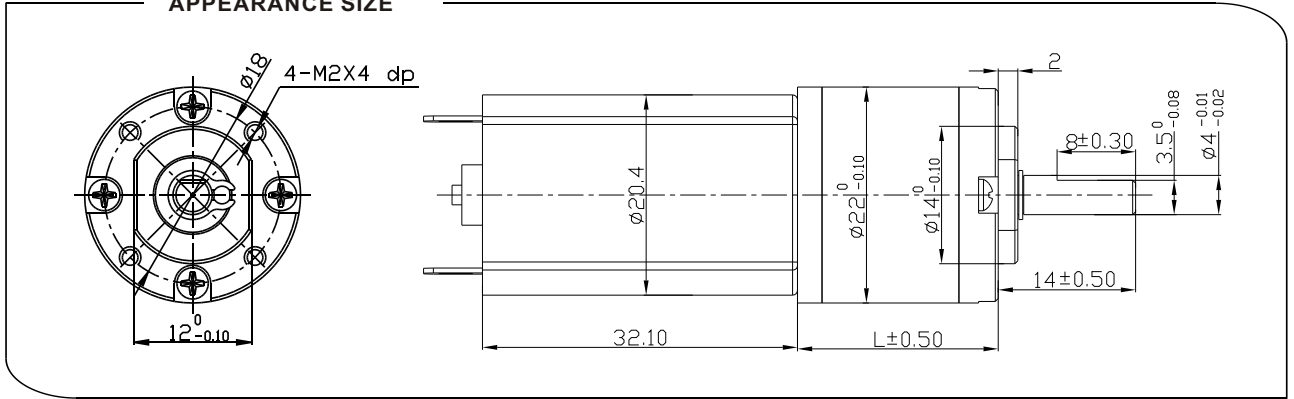
**Main voltage:** 3VDC, 6VDC, 9VDC, 12VDC, 24VDC.

**Typical applications:** Optical equipment, Monitoring cameras, Kind of figer-electronic locks, Automatic energy saving bath, Water IC card, Toys and gifts, Office equipment, Household appliances, Automatic actuator.

**Weight:** 100~120g/pcs(approx)

**Packing details:** CTN size: 37X27.5XH21cm 200pcs/CTN G.W.22Kgs

## APPEARANCE SIZE



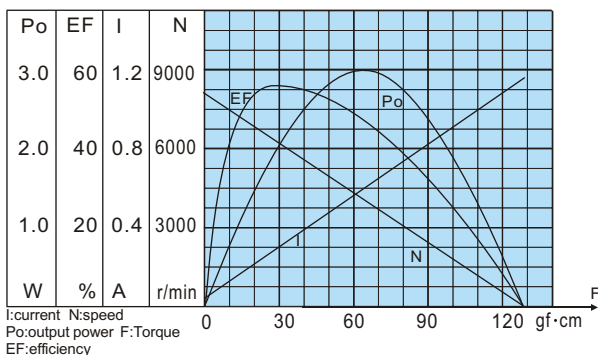
## Gear Motor Torque/Speed

Reduction ratio	1/4	1/4.75	1/16	1/19	1/22.5	1/64	1/76	1/90	1/107	1/256	1/304	1/361	1/428	1/509	1/1024	1/1216	1/1444	1/1714	1/2036	1/2418
12V	Rated torque (gf.cm)	79	94	285	339	401	1028	1221	1445	1719	3360	4000	4000	4000	4000	4000	4000	4000	4000	4000
	Rated speed (r/min)	1675	1411	419	353	298	105	88	75	63	26	22	19	16	13	7	6	5	4	3
24V	Rated torque (gf.cm)	79	94	285	339	401	1028	1221	1445	1719	3361	4000	4000	4000	4000	4000	4000	4000	4000	4000
	Rated speed (r/min)	1850	1558	463	390	329	116	97	82	69	29	24	21	17	15	7	6	5	4	4
Gearbox "L" mm	16.9		16.9		20.5		24.1		27.6											

## Motor Data

额定电压 Rated volt(V)	额定扭力 Rated torque (g·cm)	额定转速 Rated speed (rpm)	额定电流 Rated current (mA)	空载转速 No load speed (rpm)	空载电流 No load current (mA)	额定功率 Rated output (w)	重量 Weight (g)
12	22	6700	≤200	8000	≤70	1.5	33
24	22	7400	≤110	9000	≤40	1.7	33

## RF-180-12V-8000r/min Characteristics



## RF-180-24V-9000r/min Characteristics

