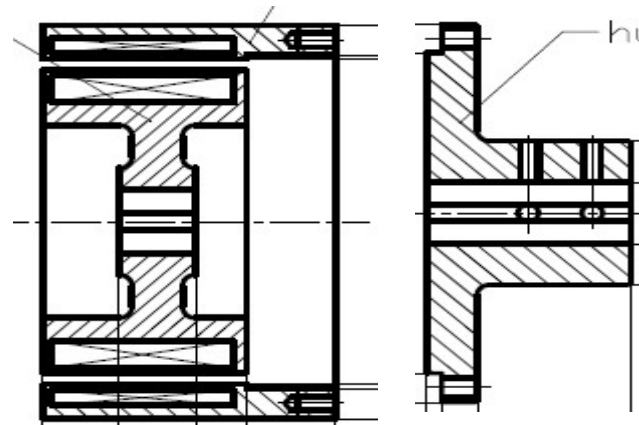
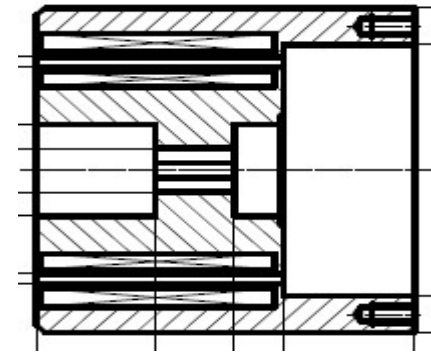
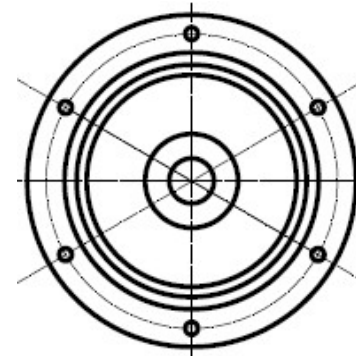
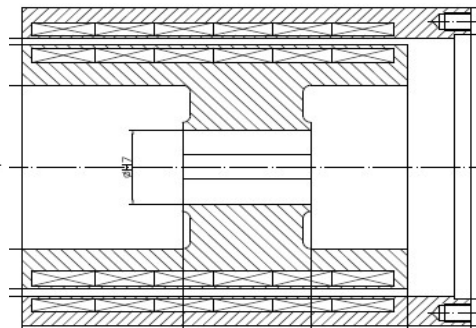
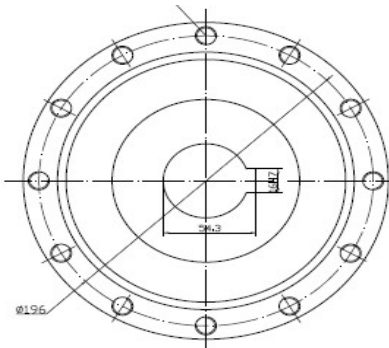


联轴器 (magnetic coupling)



working torque: 100Nm
 Max. torque: 160Nm
 Serving temp.: NdFeB<120°C; SmCo<280°C
 Rotation speed: <2800rpm
 Material:
 Internal rotor: Stainless steel 316/304,
 driving rotor: carbon steel.



working torque: 400Nm
 Max. torque: 500Nm
 Serving temp.: NdFeB<120°C; SmCo<280°C
 Rotation speed: <2800rpm
 Material:

Internal rotor: Stainless steel 316/304,
 Driving rotor: carbon steel.

working torque: 15Nm
 Max. torque: 24Nm
 Serving temp.: NdFeB<120°C; SmCo<280°C
 Rotation speed: <2800rpm
 Material:

Internal rotor: Stainless steel 316/304,
 Driving rotor: carbon steel.

